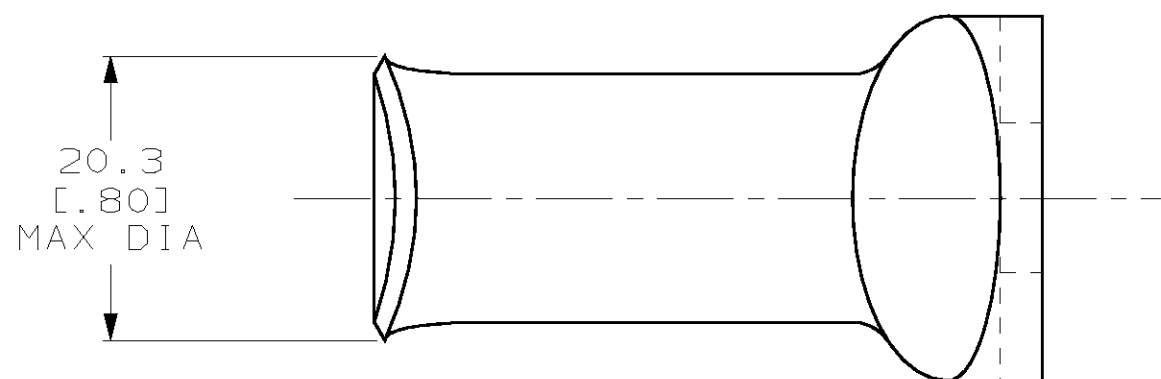
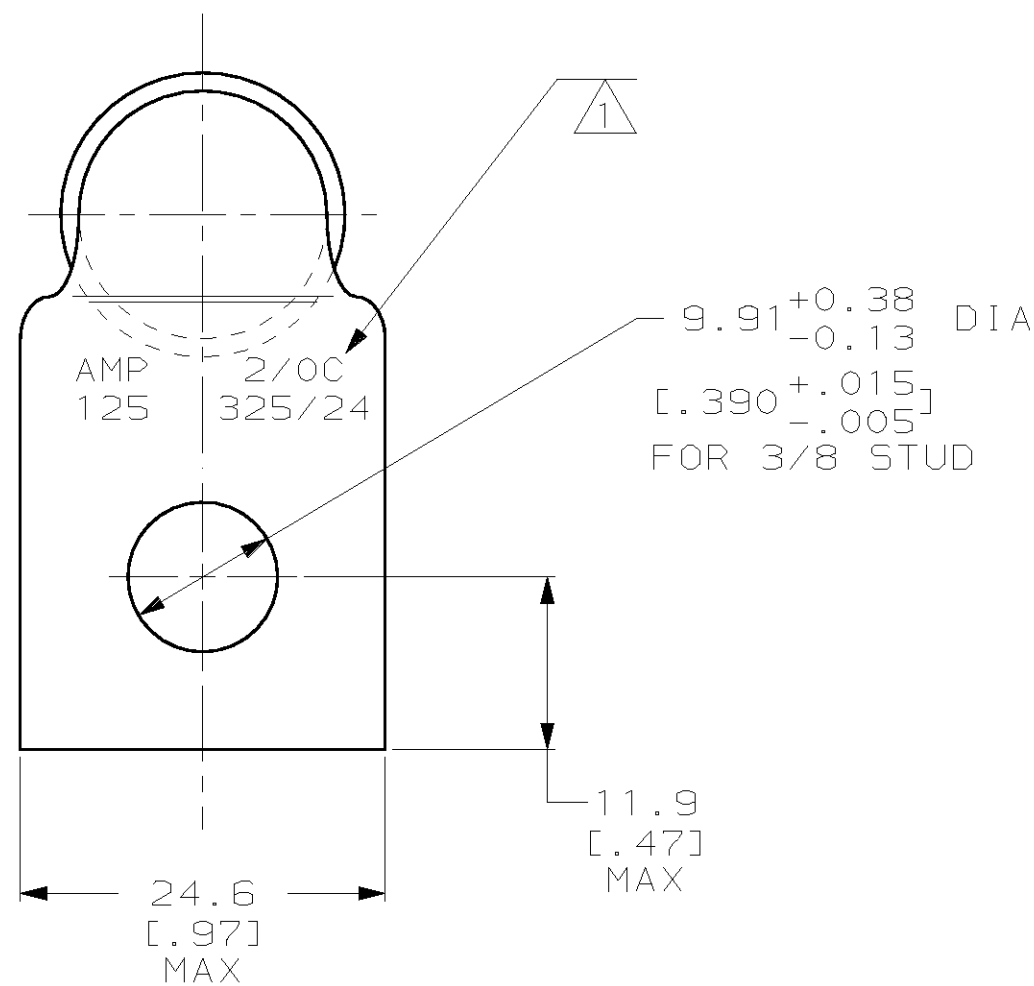
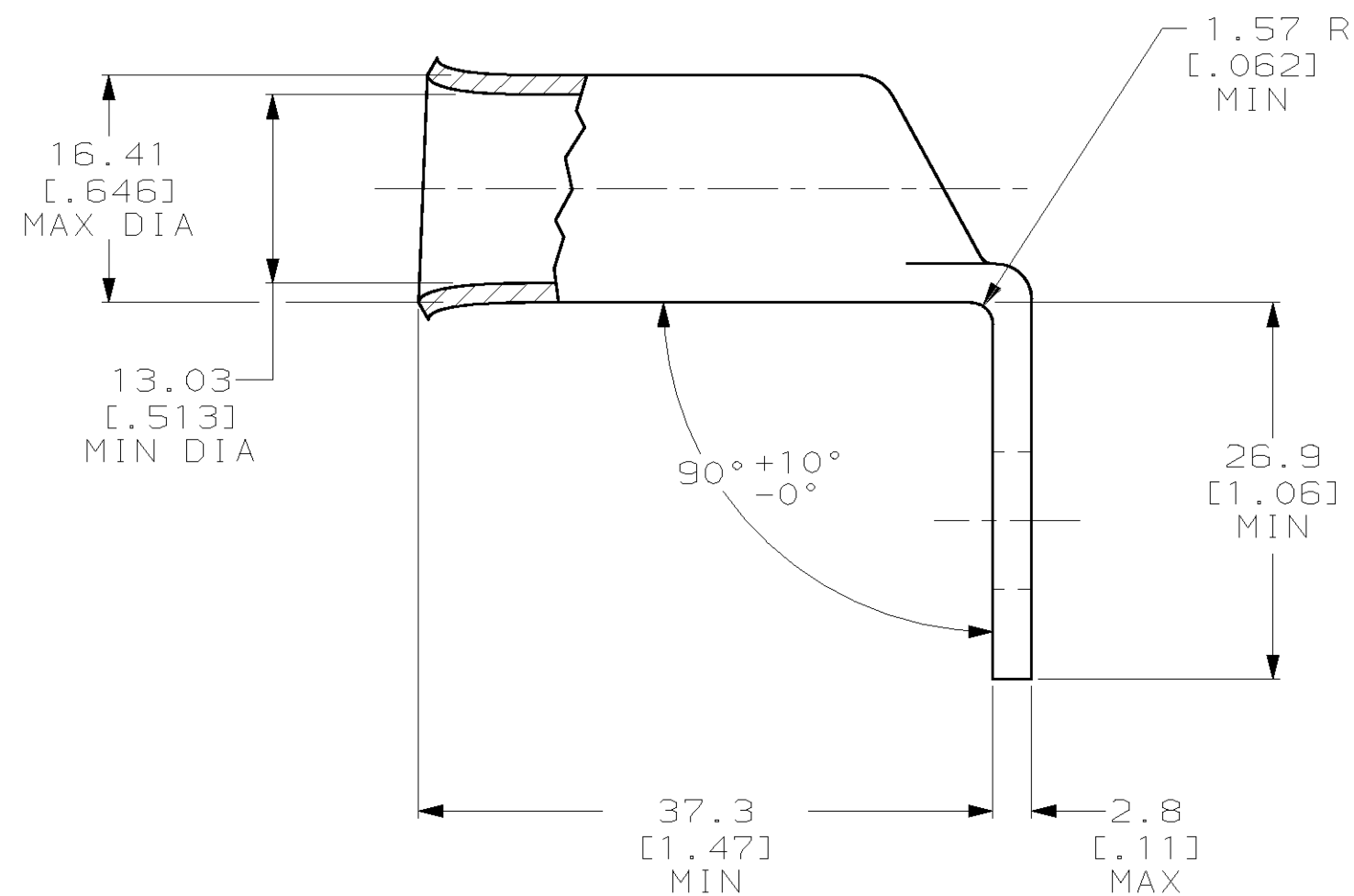


THIS DRAWING IS UNPUBLISHED. RELEASED FOR PUBLICATION  
 (C) COPYRIGHT 19 BY AMP INCORPORATED. ALL RIGHTS RESERVED.

LOC	DIST	REVISIONS					
		P	LTR	DESCRIPTION	DATE	DWN	APVD
G	86						
		D		REV PER 063A-0561-01	070CT02	JR	MS



△ STAMP AMP 2/0C 125 325/24 APPROX AS SHOWN



184259

184259-1  
PART NUMBER

**AMP INCORPORATED  
CUSTOMER SERVICE SYSTEMS**

RECOMMENDED OPERATING TEMPERATURE:  
170° MAX

FOR ADDITIONAL PRODUCT INFORMATION OR COPIES OF DRAWINGS AND TECHNICAL DOCUMENTS

PRODUCT INFORMATION CENTER  
1-800-522-6752

VOLTAGE RATING:  
NOT APPLICABLE

FOR APPLICATION TOOLING INFORMATION

TOOLING ASSISTANCE CENTER  
1-800-722-1111

WIRE CROSS SECTIONAL AREA RANGE:  
60.6-76.3mm<sup>2</sup> [119,500-150,500] CIR MILS  
SOLID OR STRANDED

FOR ORDER ENTRY

1-800-526-5142

THIS DRAWING IS A CONTROLLED DOCUMENT FOR AMP INCORPORATED. IT IS SUBJECT TO CHANGE AND THE CONTROLLING ENGINEERING ORGANIZATION SHOULD BE CONTACTED FOR THE LATEST REVISION.		DWN DK SCHRUM 20DEC95	AMP Incorporated Harrisburg, PA 17105-3608
DIMENSIONS: mm [INCHES]		CHK WJ VOCKROTH 02JAN96	
TOLERANCES UNLESS OTHERWISE SPECIFIED: 0 PLC ± 1 PLC ± 2 PLC ± 3 PLC ± 4 PLC ± ANGLES ±		APVD JL MECKLEY 02JAN96	NAME JL MECKLEY
MATERIAL COPPER PER ASTM B-75 ANNEALED		FINISH TIN PLATE 0.00381 [0.00150] MIN THK PER ASTM B545	PRODUCT SPEC 108-30200
		WEIGHT .072 lbs	APPLICATION SPEC -
		CUSTOMER DRAWING	SIZE A2
			CAGE CODE 00779
			DRAWING NO C-184259
			SCALE 2:1
			SHEET 1 OF 1
			REV D

单击下面可查看定价，库存，交付和生命周期等信息

[>>TE Connectivity\(泰科\)](#)