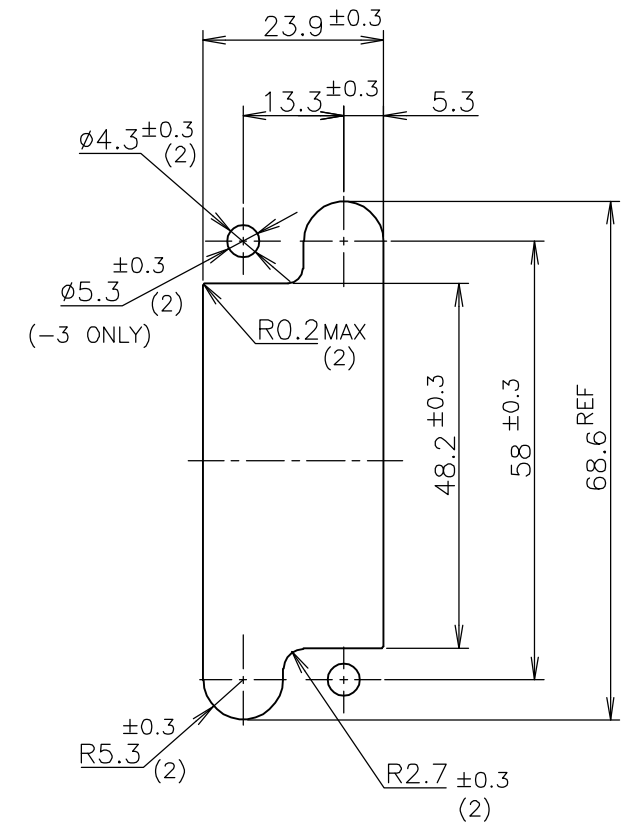
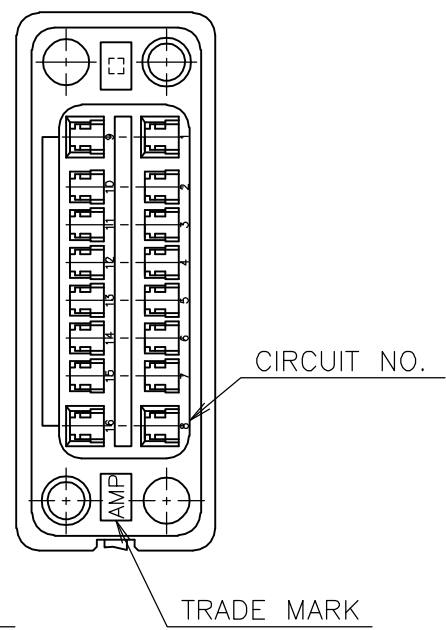
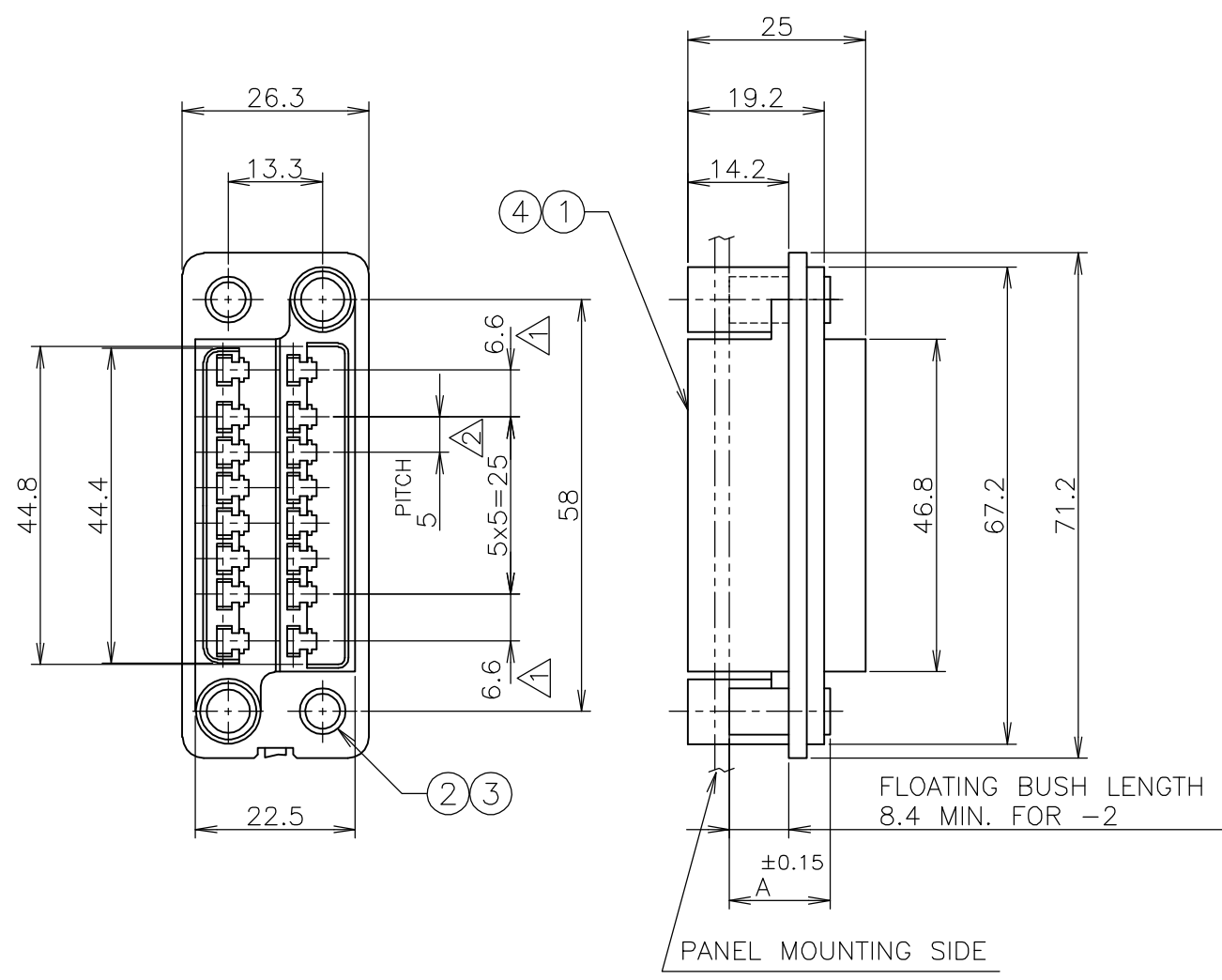


THIS DRAWING IS UNPUBLISHED. RELEASED FOR PUBLICATION JAN , 1979.  
 © COPYRIGHT 1979 BY TYCO ELECTRONICS CORPORATION. ALL RIGHTS RESERVED.

LOC	DIST	REVISIONS					
P	LTR	DESCRIPTION	DATE	DWN	APVD		
J	/	A	RELEASED	ECR-05-009552	06SEP05	C.Z	S.Y



THK 1.6±0.2  
RECOMMENDED PANEL CUTOUT DIM.

- NOTES:  
 1 FOR POWER CIRCUITS (4 POS)  
 2 FOR SIGNAL CIRCUITS (12 POS)  
 3 ACCOMMODATED CONTACTS ARE STRIP P/N 170311, 170312, 170484 L.P P/N 170313, 170314, 170485  
 4 MALE HSG P/N IS 172059  
 5 PROD.SPEC 108-5125, APPLICATION SPEC 114-5044

QTY REQD PER ASSY	7.3	7.3	A	PARTS LIST	REMARKS	ITEM NO
1	++			172060-3	DRAWER CONN FEMALE HSG	16 POS (4mm) 4
2	++	1-				(4mm) 3
				1-172065-1	FLOATING BUSH ASSY	(3mm) 2
				172060-1	DRAWER CONN FEMALE HSG	16 POS (3mm) 1
				PART NO	NAME	REMARKS

THIS DRAWING IS A CONTROLLED DOCUMENT.

DWN C.ZHU	06SEP05	 Tyco Electronics AMP K.K. Kawasaki, Japan
CHK I.WANG	06SEP05	
APVD S.YAO	06SEP05	
PRODUCT SPEC		
APPLIC. SPEC		16POS FEMALE HSG ASSY DRAWER CONNECTOR
WEIGHT		SIZE A3 CAGE CODE 00779 DRAWING NO C-5172068 RESTRICTED TO
CUSTOMER DRAWING		SCALE 1:1 SHEET 1 OF 1 REV A

单击下面可查看定价，库存，交付和生命周期等信息

[>>TE Connectivity\(泰科\)](#)