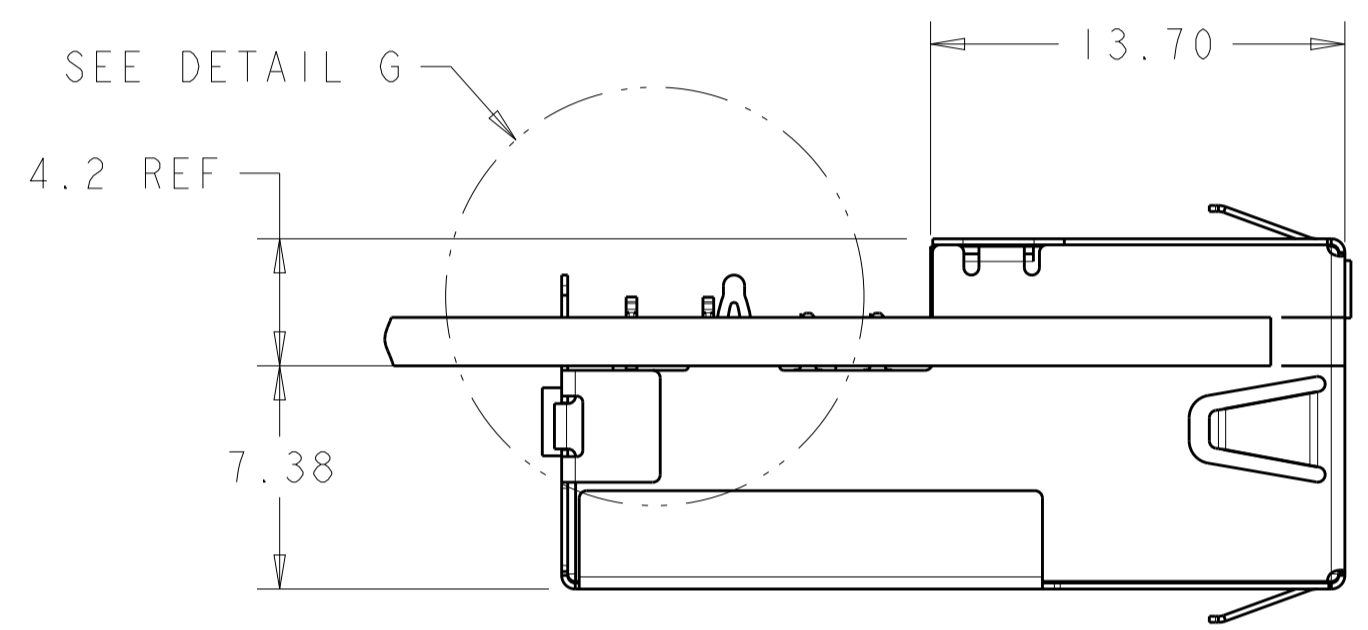
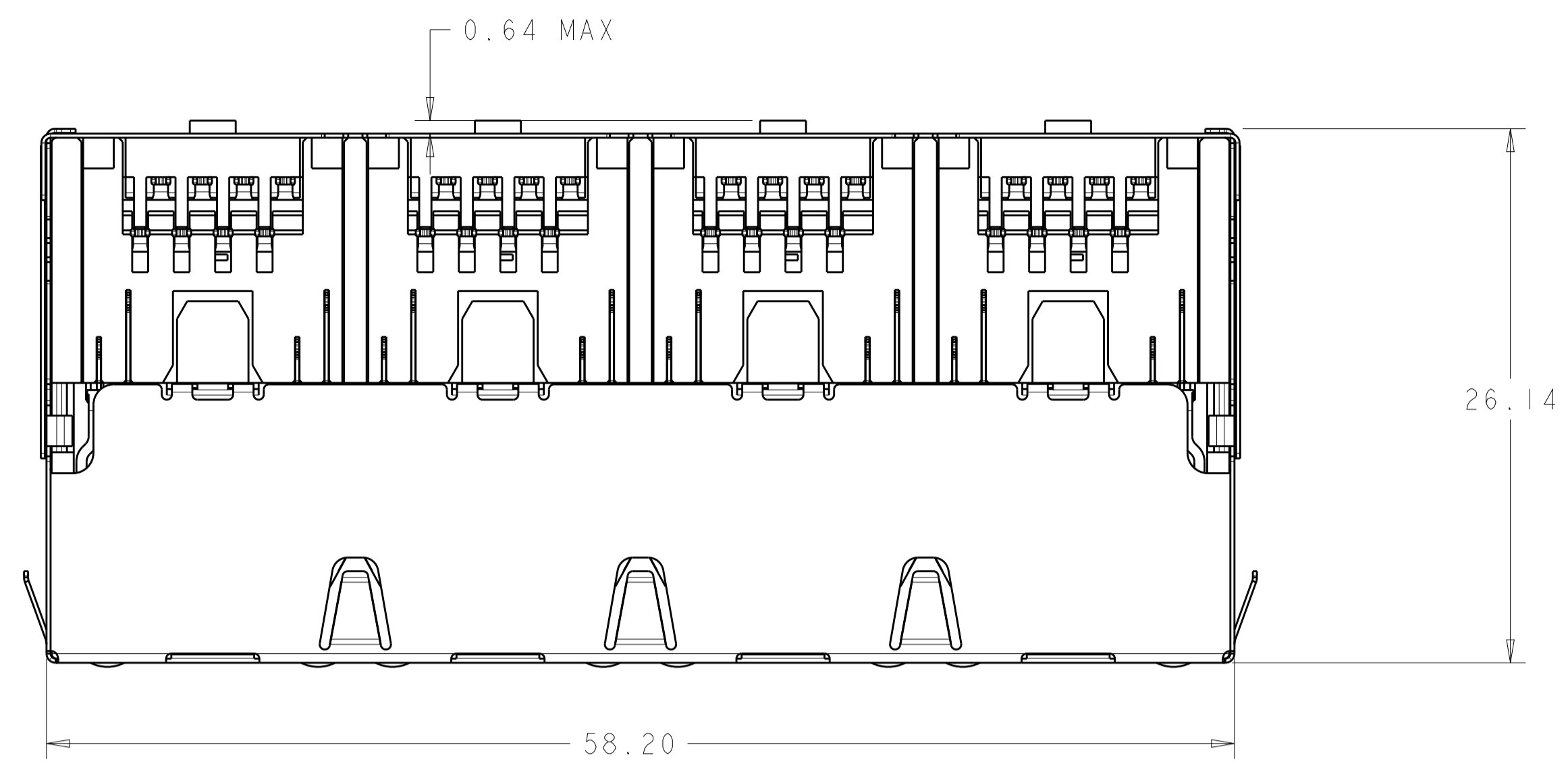
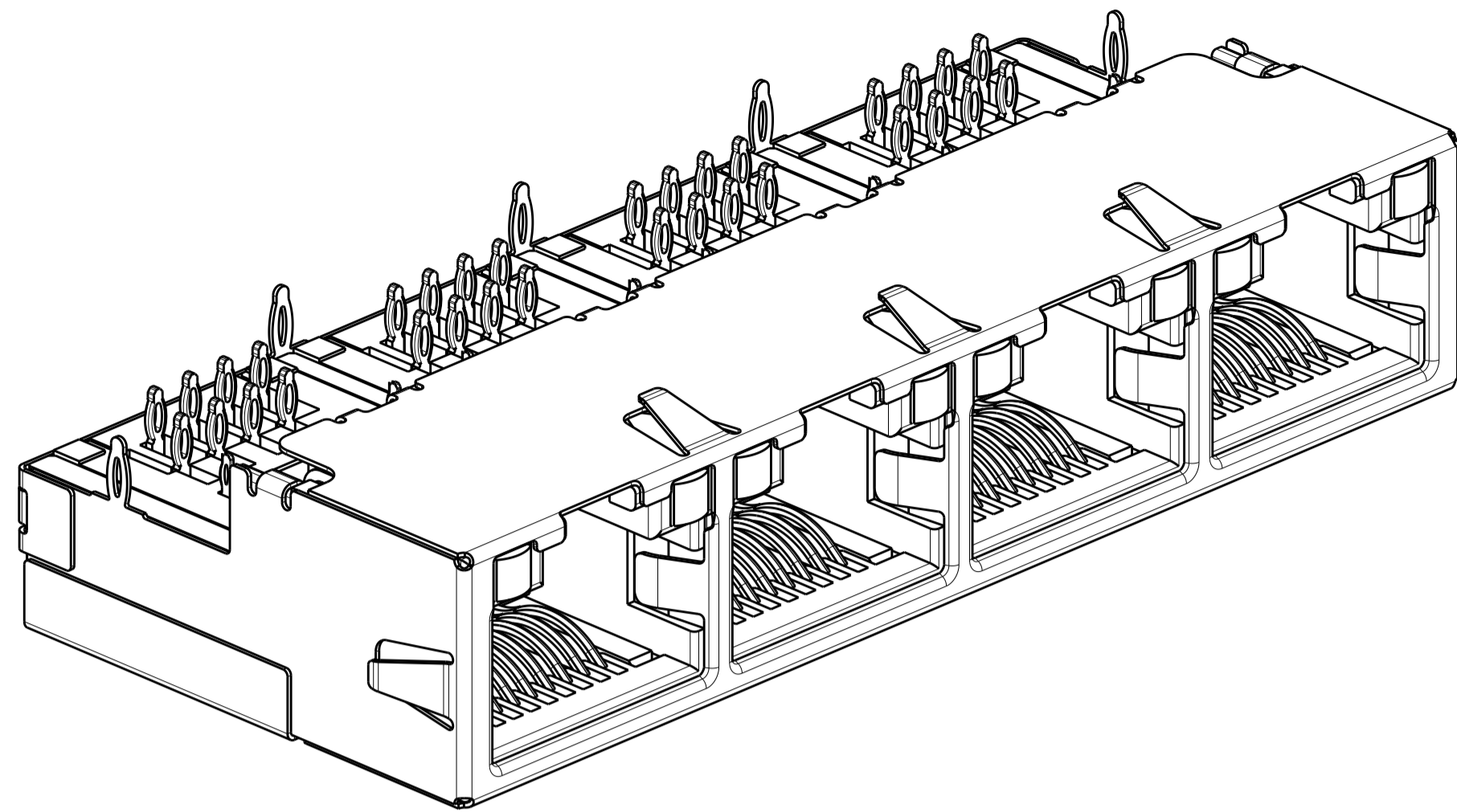
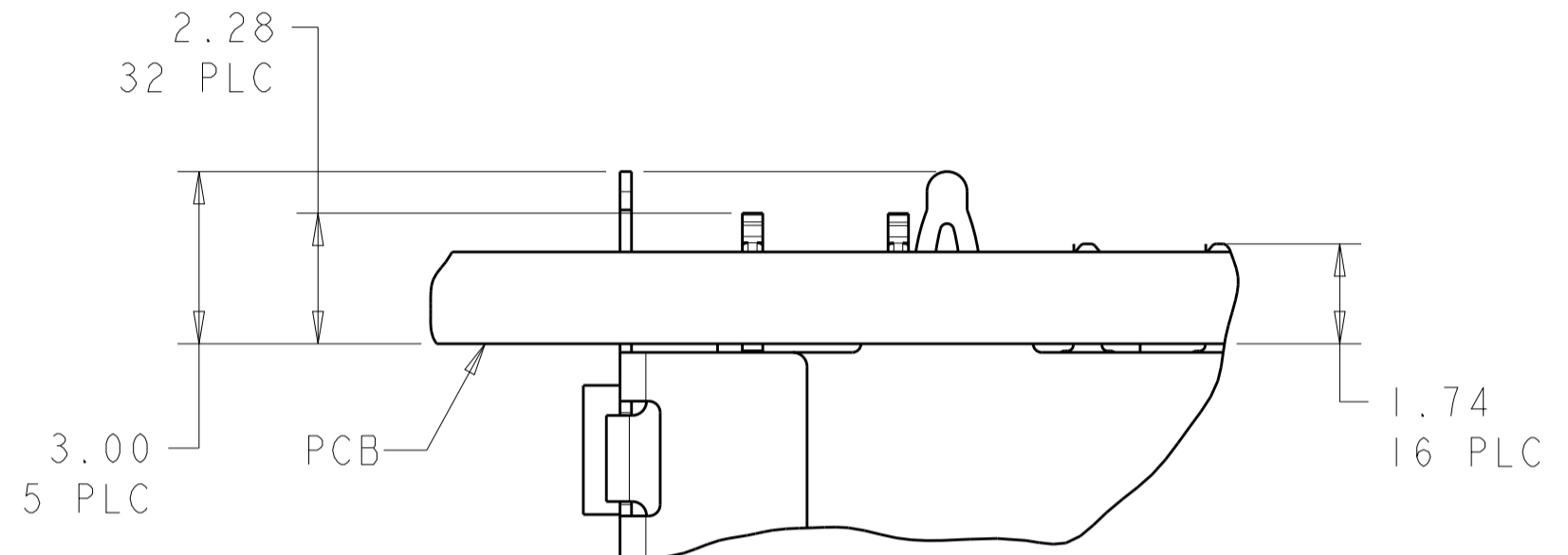
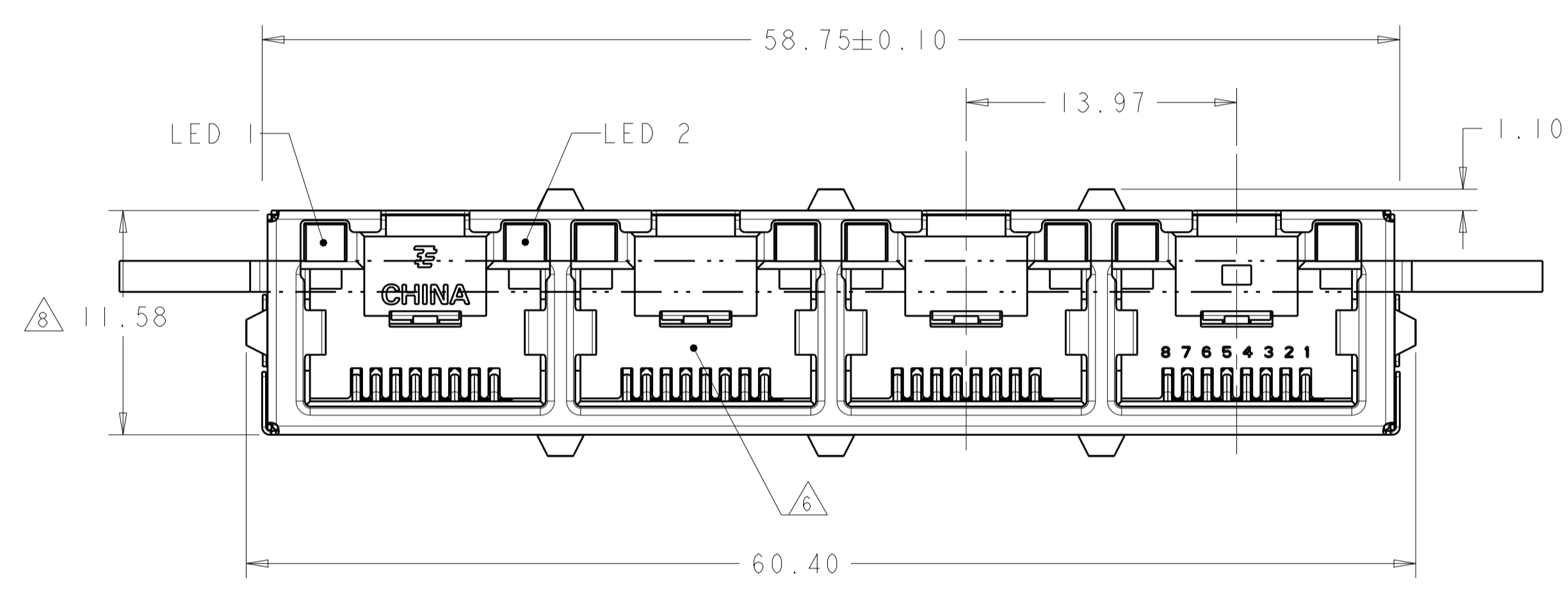


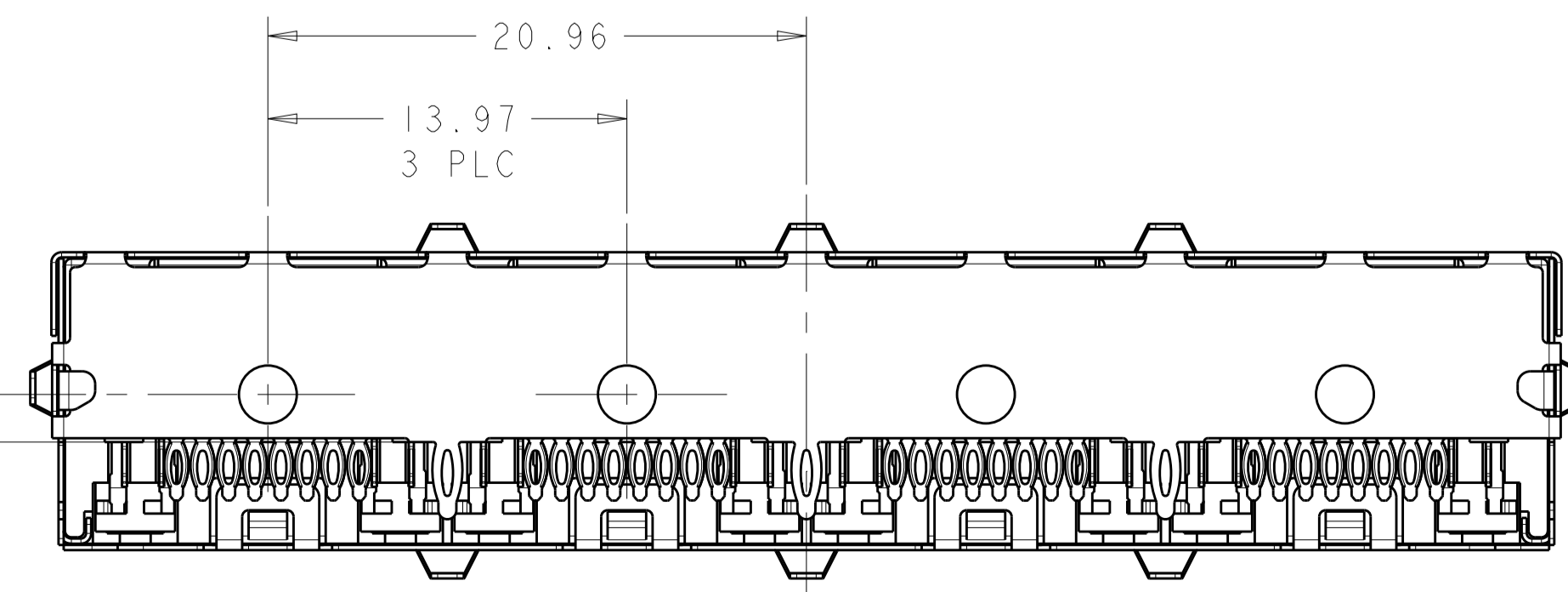
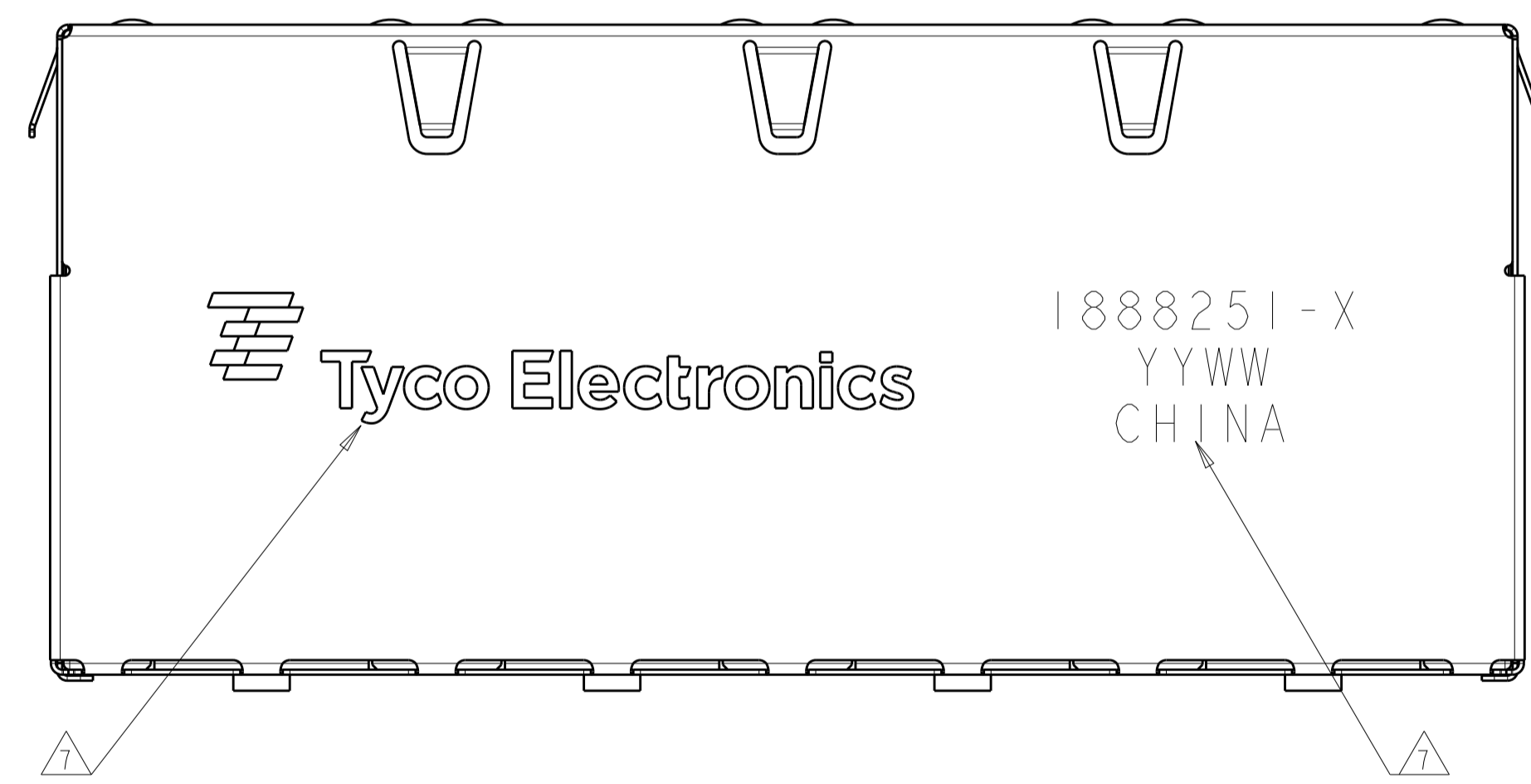
LOC	DIST	REVISIONS			
P	LTN	DESCRIPTION	DATE	OWN	APVD
B6		REVISED PER ECO-11-005033	18MAR2011	RK	HMR
C		ECO-18-005828	21MAR2018	LL	SH



VIEW SHOWN ASSEMBLED TO PCB ONLY



DETAIL G SCALE 8:1



- MATERIALS:
HOUSING: BLACK PBT, 94V-0.
OVERMOLDED INSERT: BLACK LCP, 94V-0.
SHIELD: COPPER ALLOY WITH 0.76µm MIN NICKEL PLATE
CONTACTS: PHOSPHOR BRONZE WITH 1.27µm MIN GOLD AT MATING INTERFACE OVER 1.27µm MIN NICKEL UNDERPLATE.
 - PERFORMANCE:
INSERTION LOSS: 0.4dB @ 100 MHz.
RETURN LOSS: 12.0dB @ 100 MHz.
CROSSTALK ATTENUATION: -43dB MINIMUM @ 100MHz
 - LED'S COMPLIANT WITH IEC60825-1 SAFETY OF LASER PRODUCTS WHEN OPERATED AT CURRENT OF 20mA.
 - ALL DIMENSIONS NOMINAL.
 - RECOMMENDED MOTHERBOARD PCB THICKNESS: 1.60±0.16.
- ⑥ RJ45 PORT CONFORMS TO FCC RULES AND REGULATIONS PART 68 SUB-PART F.
- ⑦ TE LOGO, TE CONNECTIVITY PART NUMBER, DATE CODE AND COUNTRY OF ORIGIN TO BE MARKED IN APPROXIMATE LOCATION SHOWN.
- ⑧ THIS DIMENSION MEETS THE ADVANCED MEZZANINE CARD (AMC) SPECIFICATION.
- ⑨ LED WAVELENGTH FOR THE PN 1888251-5:
GREEN: 520nm ~ 525nm; YELLOW: 590nm ± 5nm.

LED #1	LED #2	PART NUMBER
GRN/YEL	GRN/YEL	1888251-5
GREEN	GREEN	1888251-4
-	-	1888251-3
GRN/YEL	GRN/YEL	1888251-2
GREEN	YELLOW	1888251-1

THIS DRAWING IS A CONTROLLED DOCUMENT.

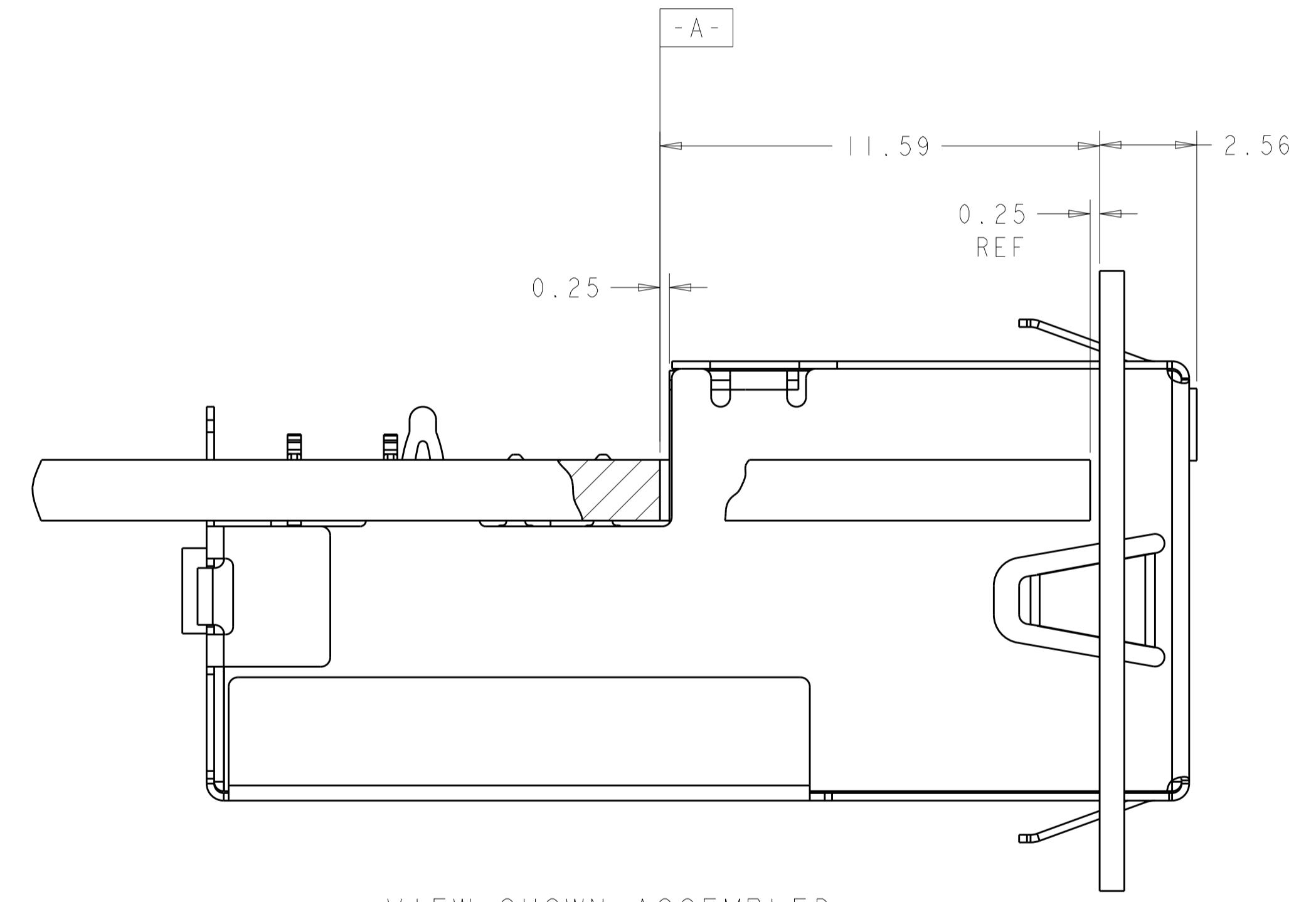
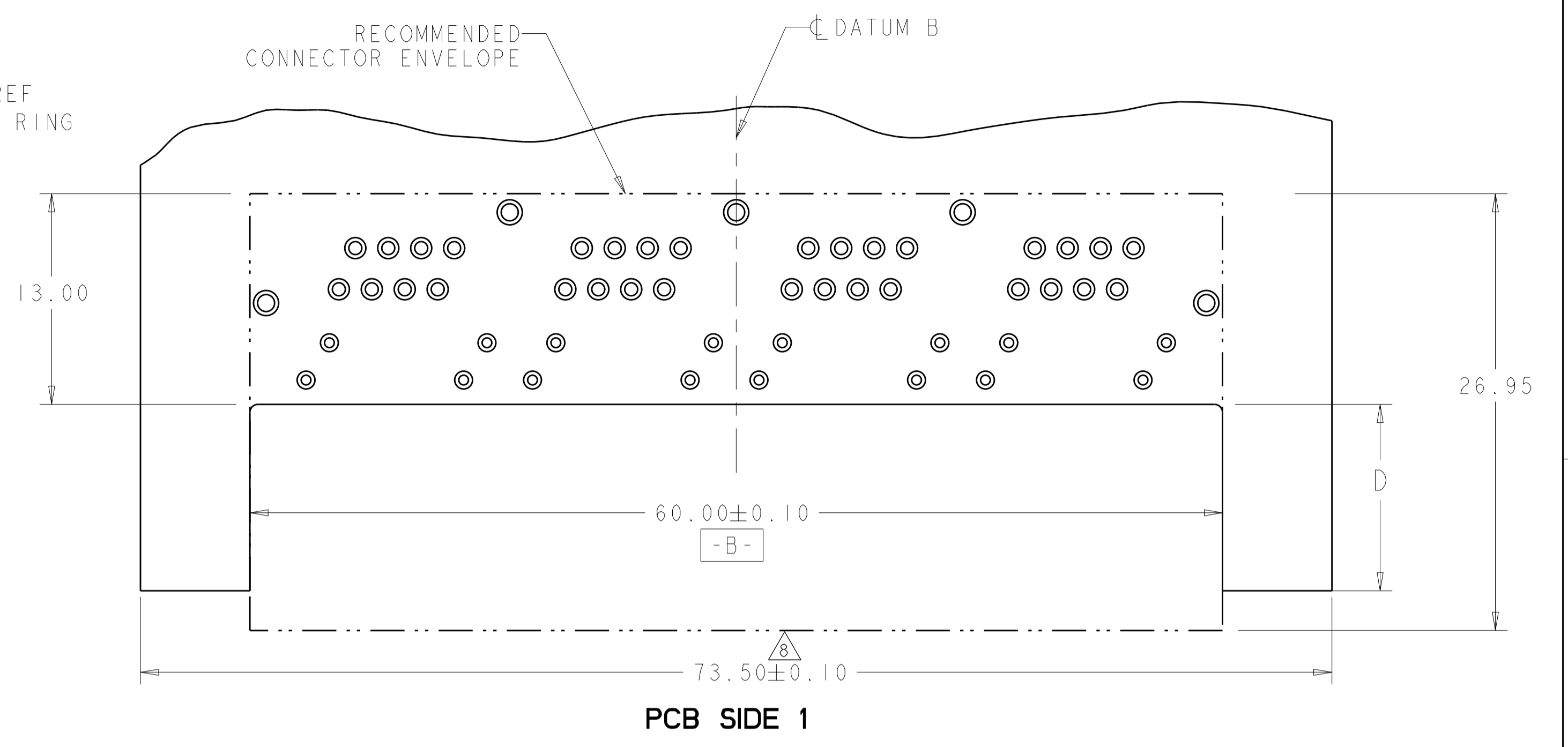
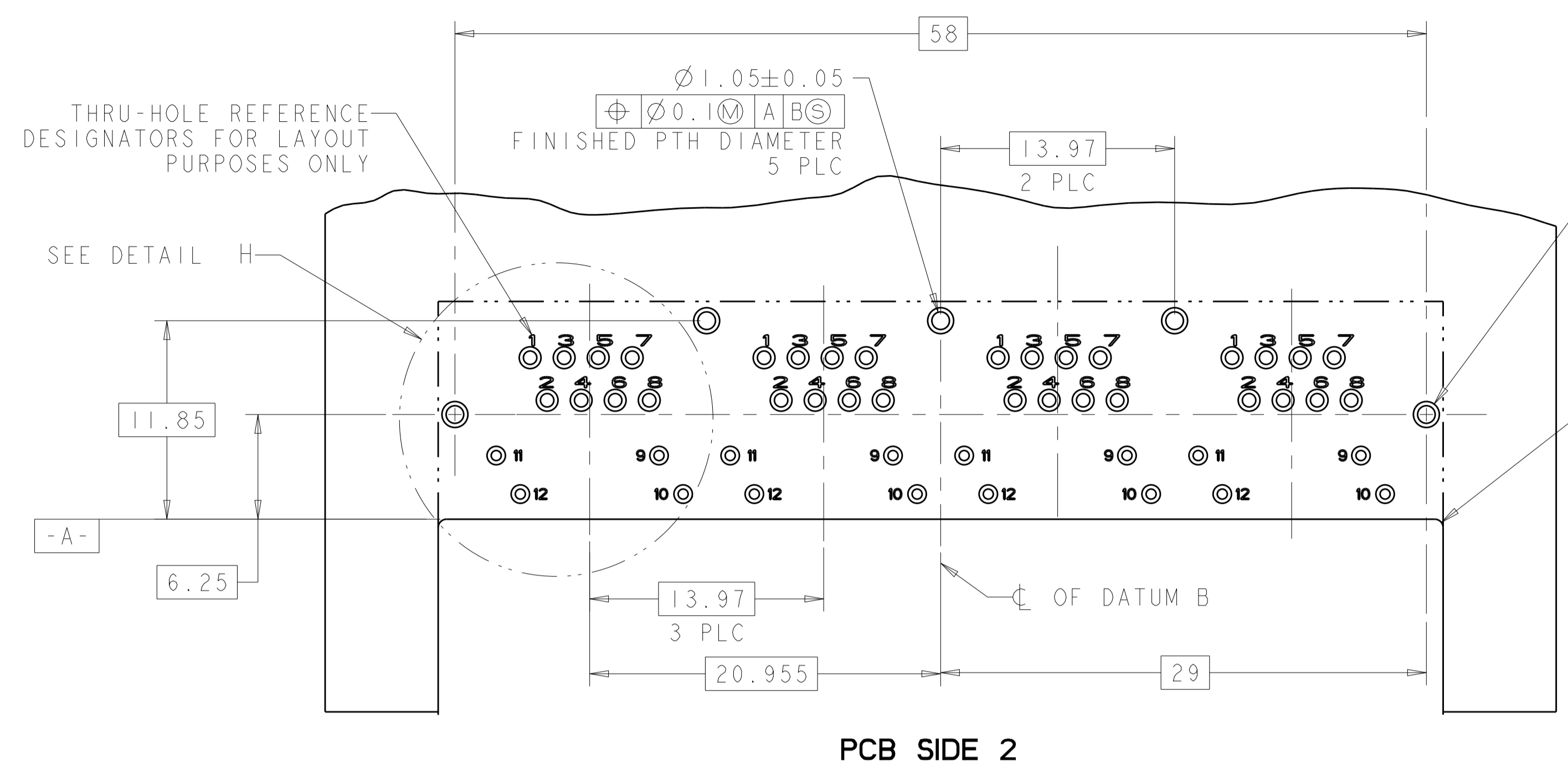
OWN: M.E.S./L.A. WAYER 15FEB2008
CHK: J.WESTMAN 15FEB2008
APVD: S.FLICKINGER 15FEB2008

TE Connectivity

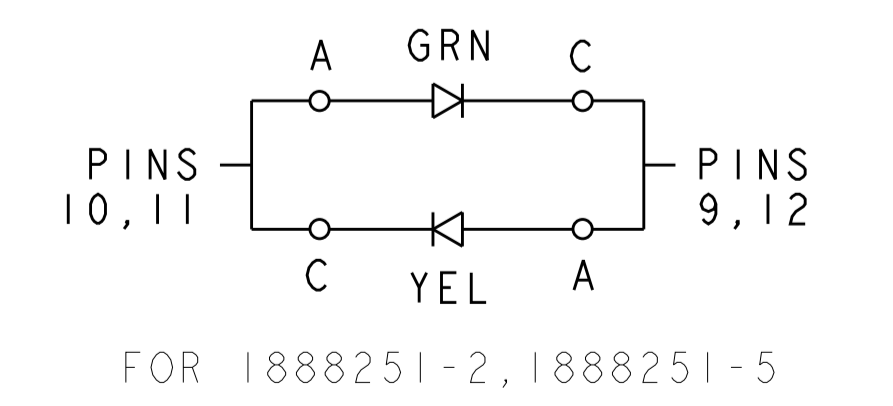
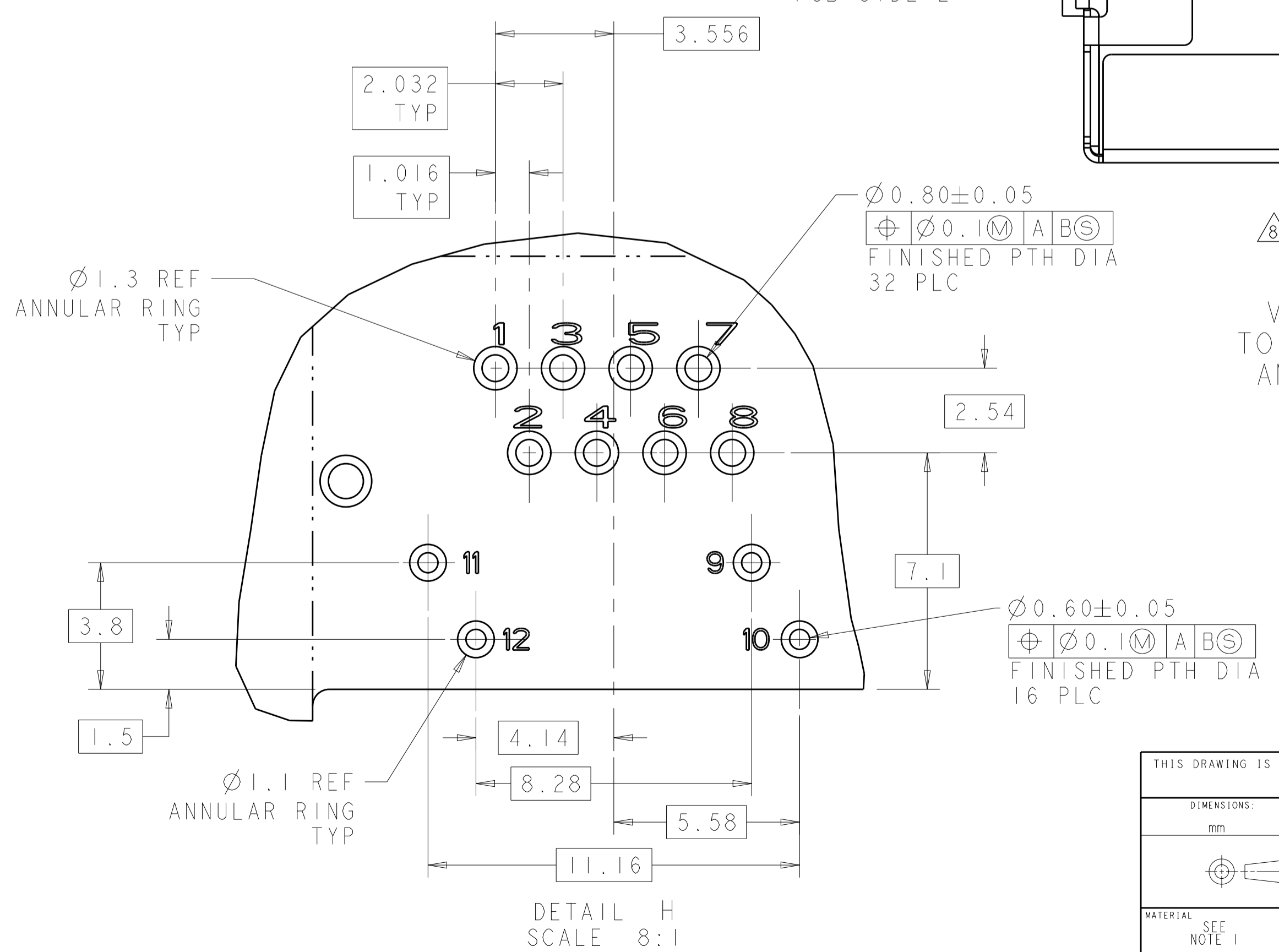
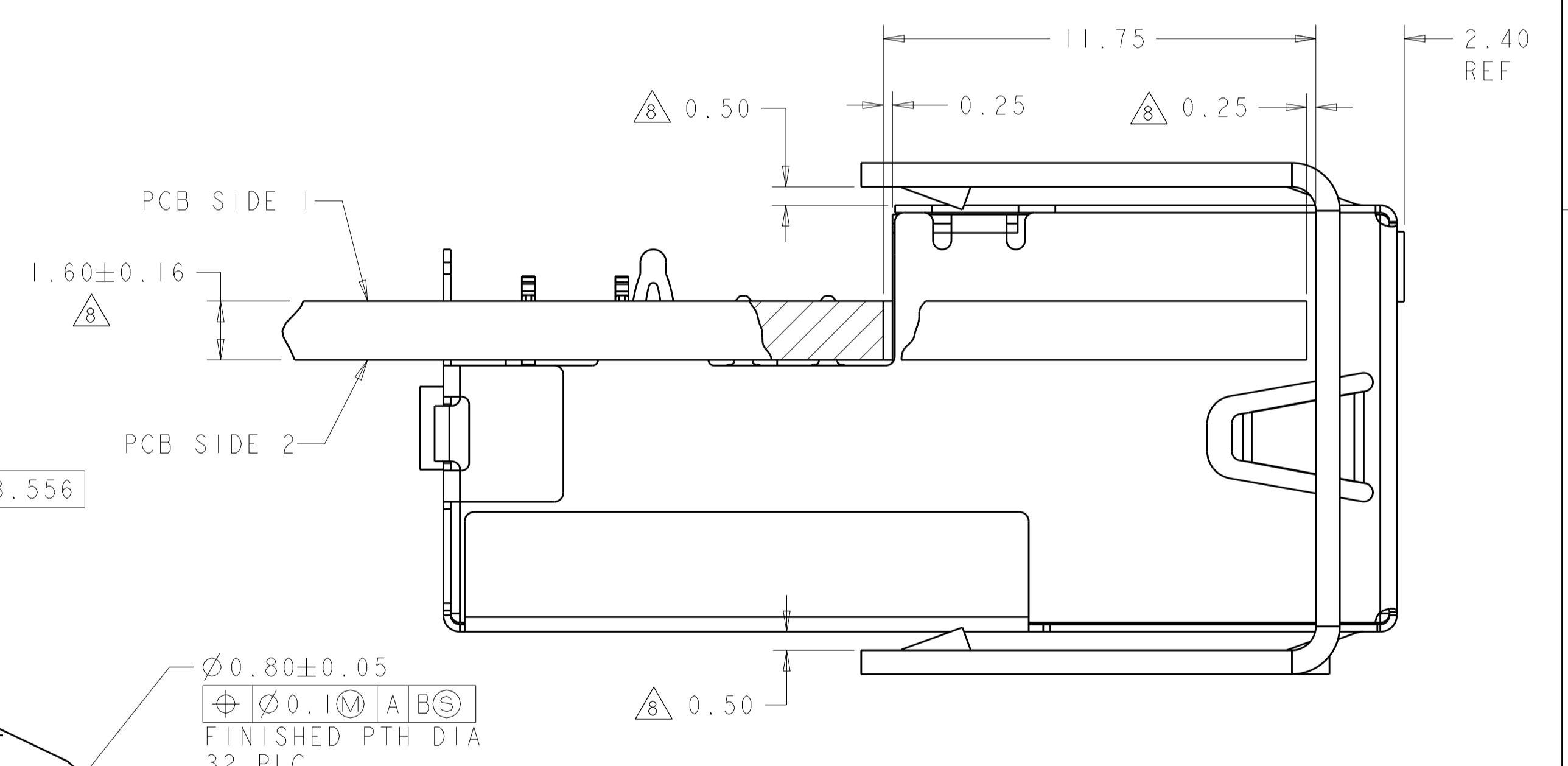
CONNECTOR ASSEMBLY, LOW PROFILE, PRESS FIT, MODULAR JACK, 1X4, RJ45

SIZE: A100779 C=1888251
SCALE: 4:1 SHEET 1 OF 3 REV C

LOC		DIST		REVISIONS			
AA	00	P	LTN	DESCRIPTION	DATE	DMN	APVD
		-		SEE SHEET 1			



STANDARD FACE PLATE	11.34
AMC MODULE FACE PLATE	11.50
PCB CUTOUT	D



	PIN #	1888251-1	1888251-2 1888251-5	1888251-3	1888251-4
LED 1	9	CATHODE (-)	ANODE (YEL), CATHODE (GRN)	-	CATHODE (-)
	10	ANODE (+)	ANODE (GRN), CATHODE (YEL)	-	ANODE (+)
LED 2	11	ANODE (+)	ANODE (GRN), CATHODE (YEL)	-	ANODE (+)
	12	CATHODE (-)	ANODE (YEL), CATHODE (GRN)	-	CATHODE (-)

THIS DRAWING IS A CONTROLLED DOCUMENT.

DMN: M.E.S./L.A. MAYER 15FEB2008
 CHK: J.WESTMAN 15FEB2008
 APVD: S.FLICKINGER 15FEB2008

DIMENSIONS: mm

TOLERANCES UNLESS OTHERWISE SPECIFIED:
 0 PLC \pm
 1 PLC ± 0.13
 2 PLC \pm
 3 PLC \pm
 4 PLC \pm
 ANGLES \pm

MATERIAL: SEE NOTE 1
 FINISH: SEE NOTE 1

APPLICATION SPEC: 114-13179
 WEIGHT: -

RESTRICTED CUSTOMER

SCALE: 4:1

SHEET 2 OF 3

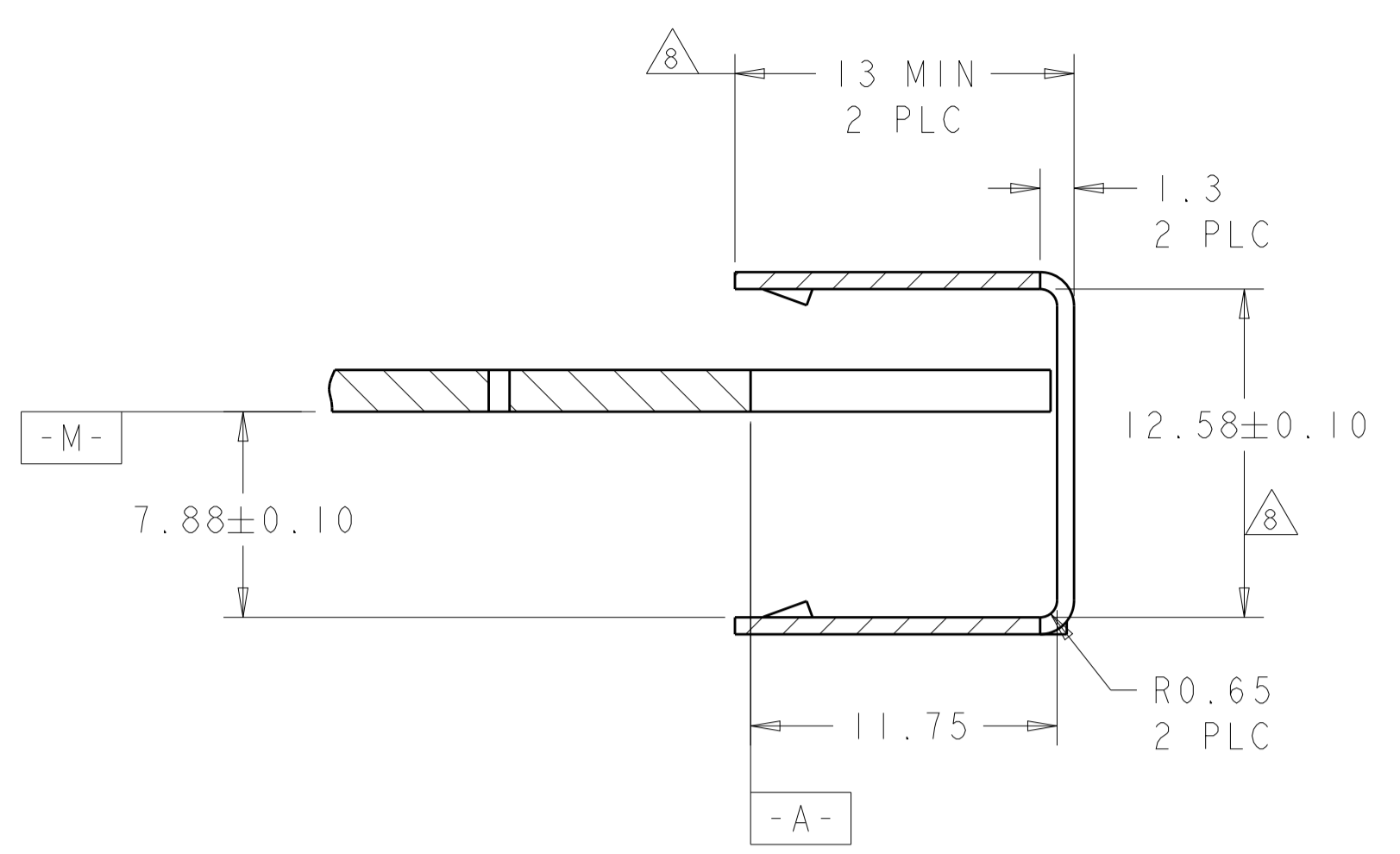
REV C

STE TE Connectivity

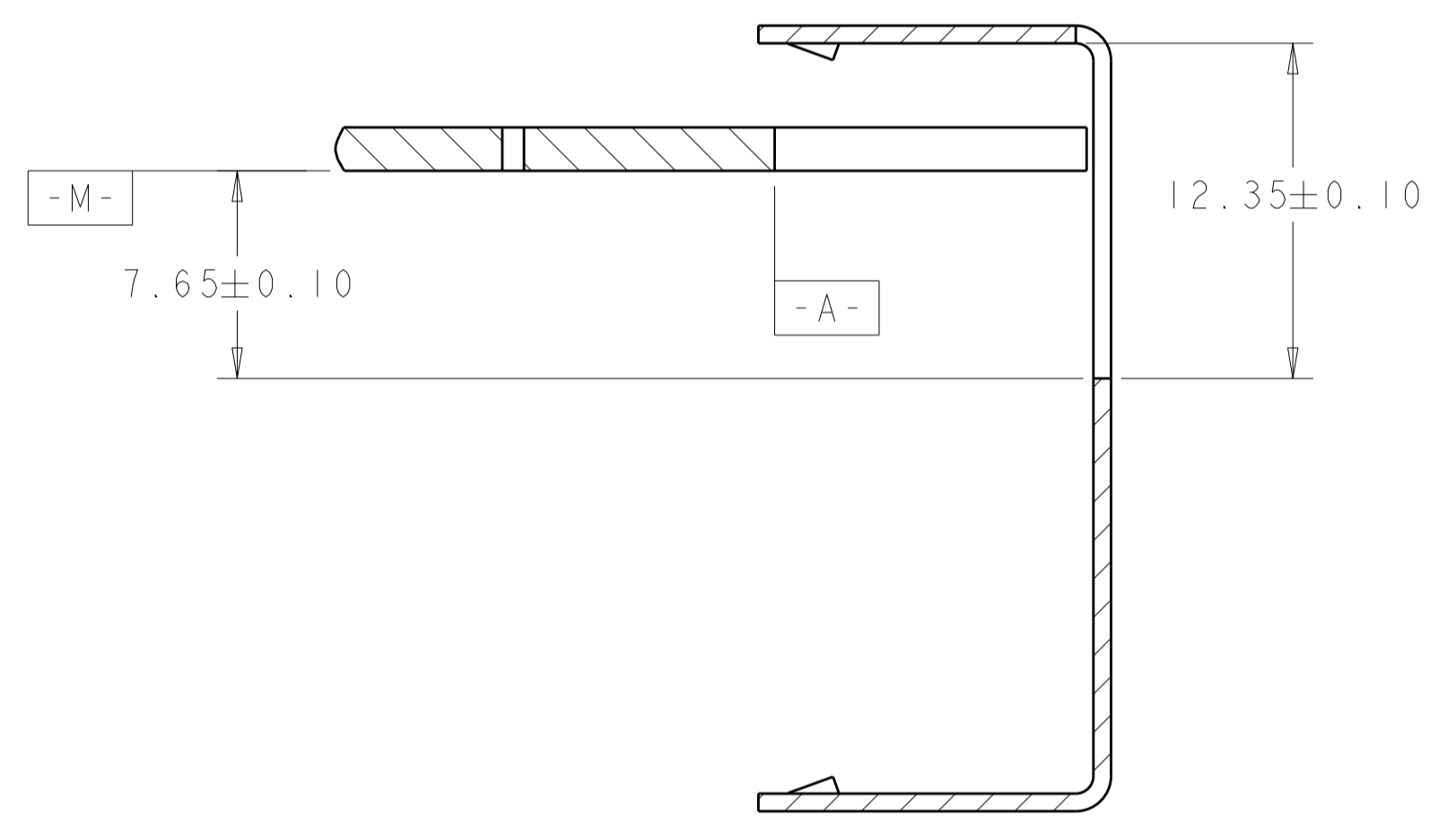
NAME: CONNECTOR ASSEMBLY, LOW PROFILE, PRESS FIT, MODULAR JACK, 1X4, RJ45

SIZE: A1
 CAGE CODE: 100779
 DRAWING NO: 1888251

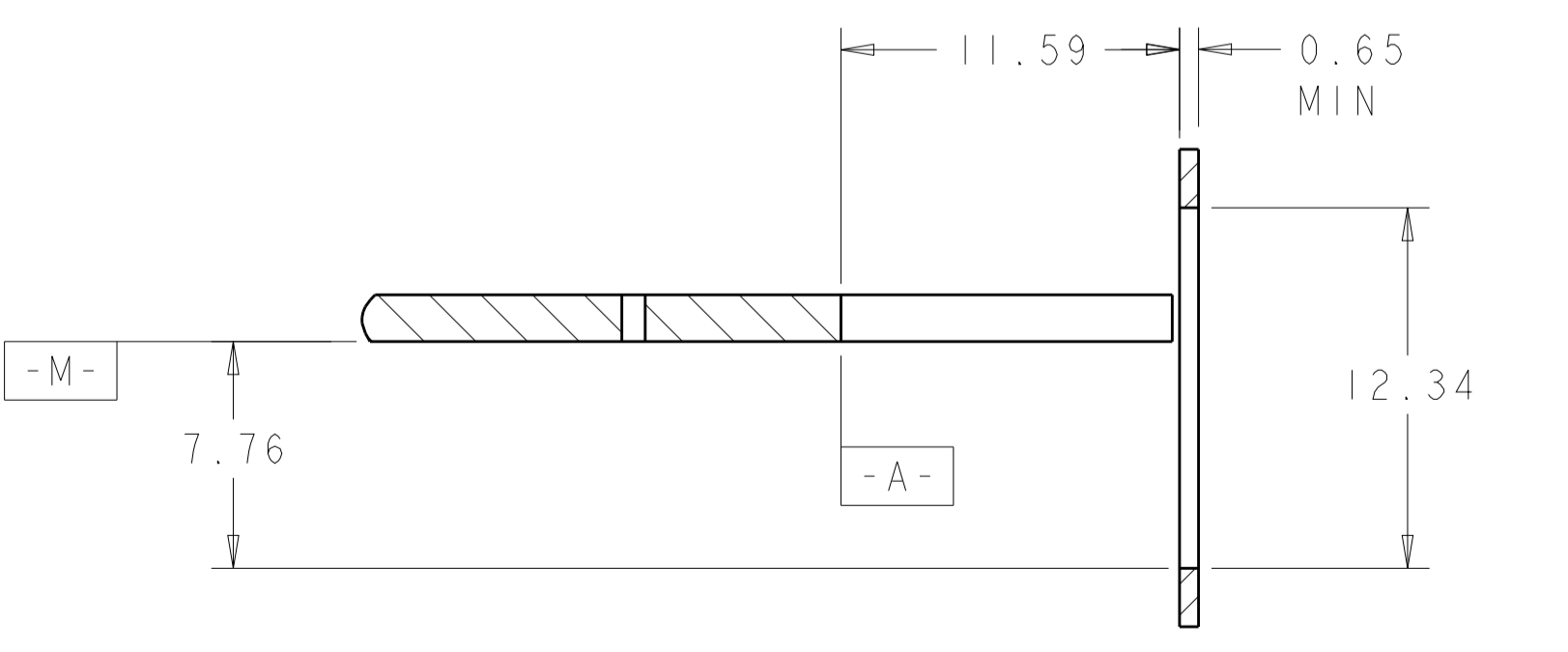
LOC		DIST		REVISIONS			
P	LTN	DESCRIPTION	DATE	DMN	APVD		
-	-	SEE SHEET 1	-	-	-	-	-



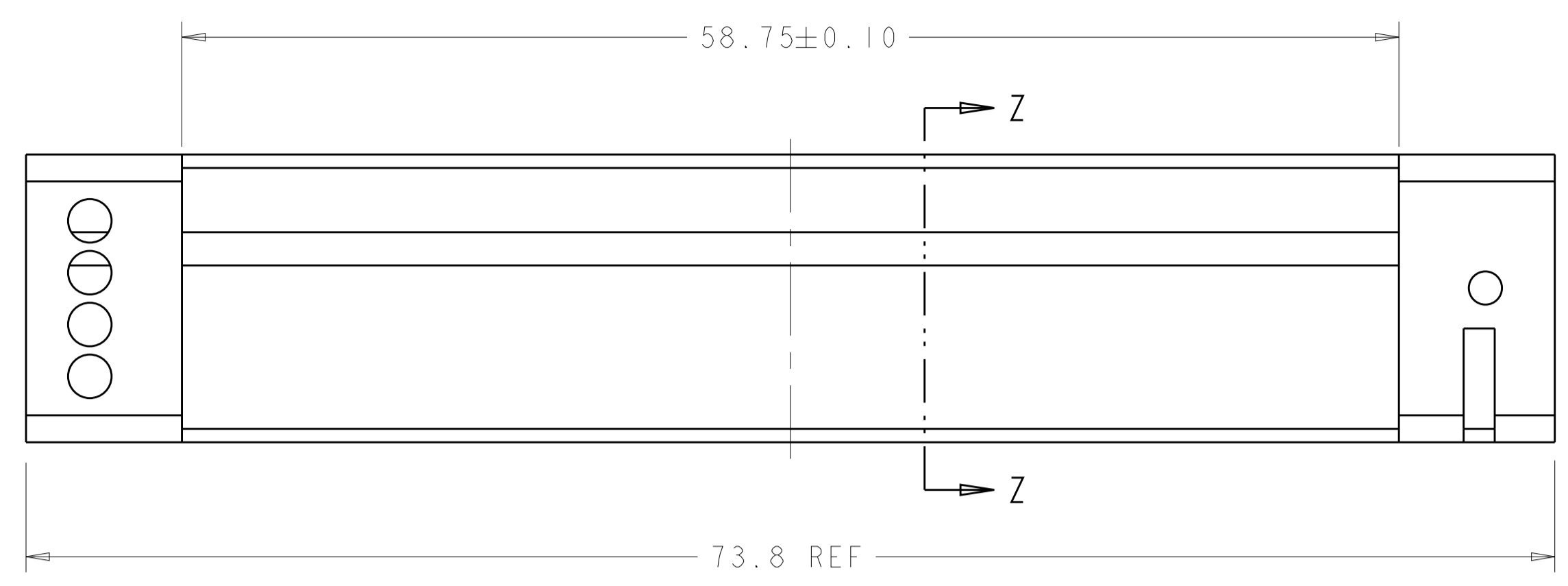
SECTION Z-Z



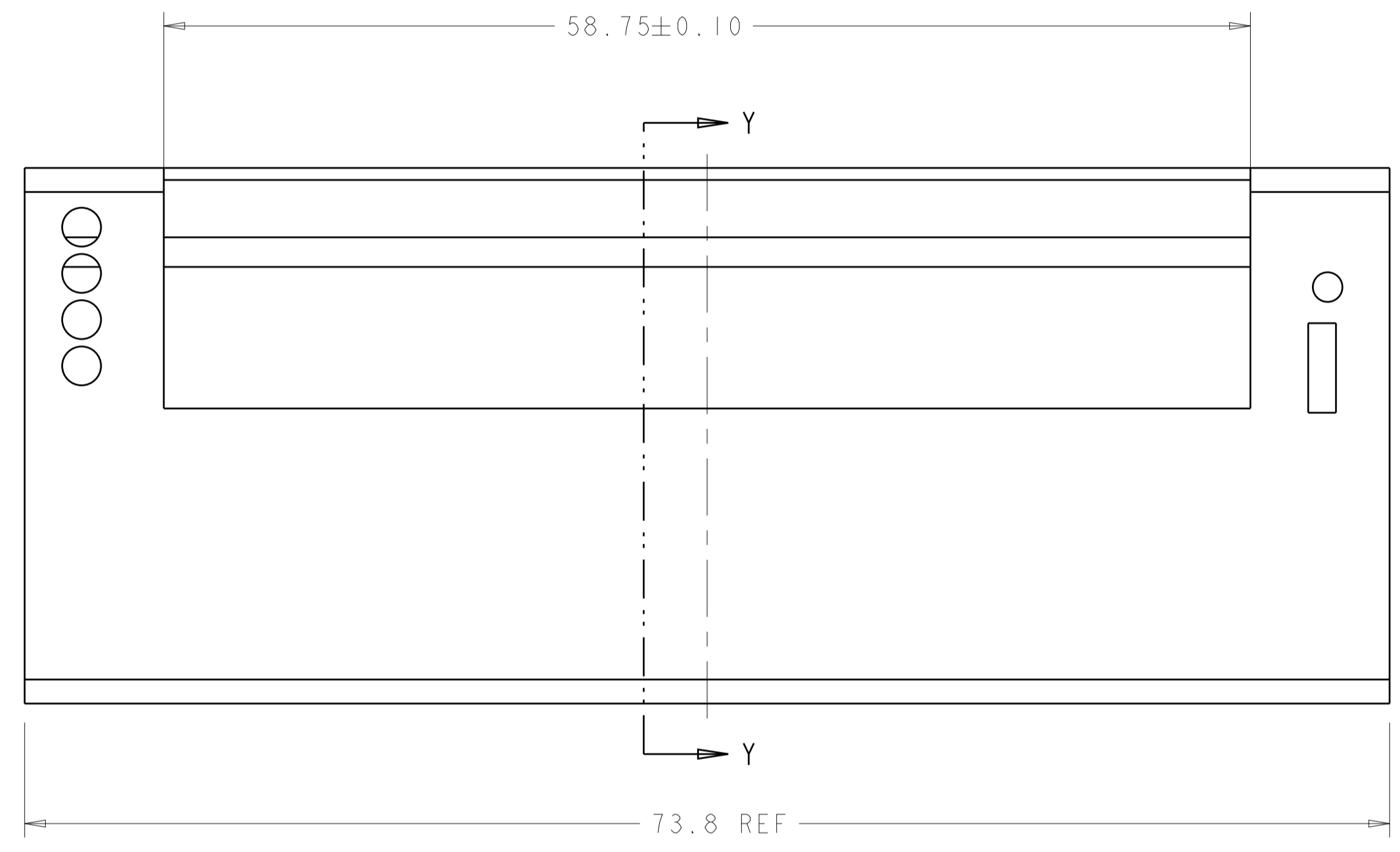
SECTION Y-Y



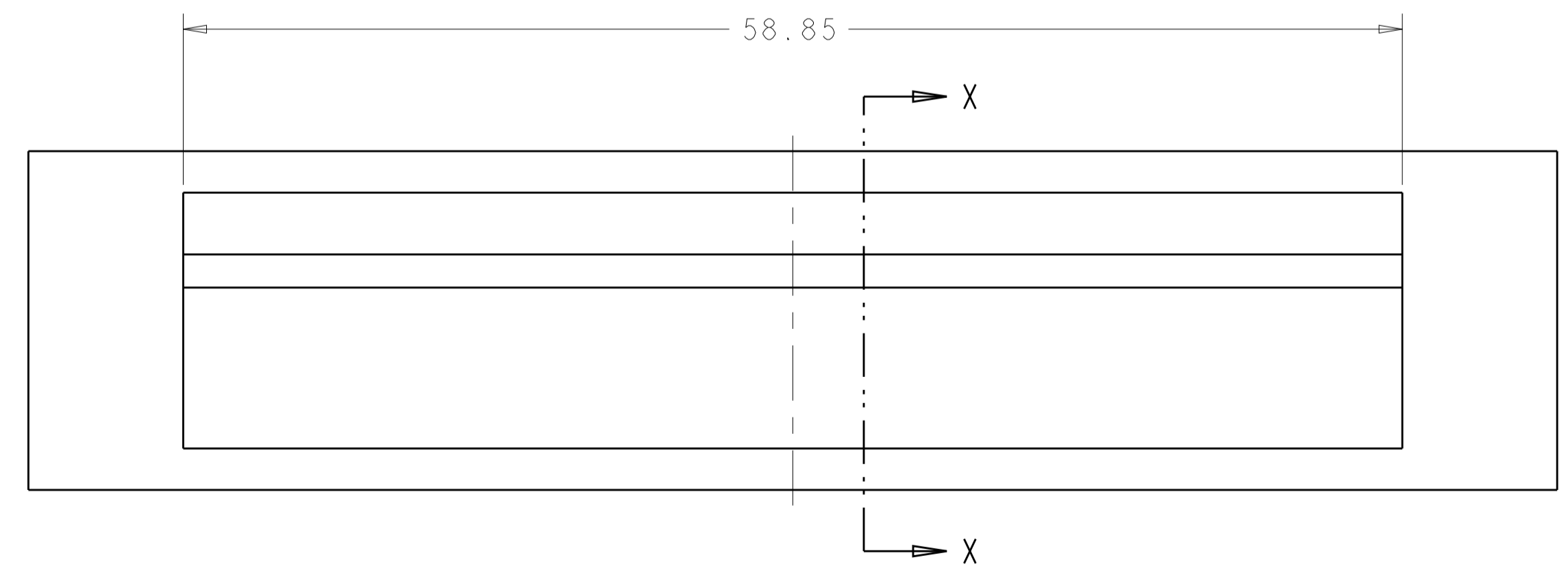
SECTION X-X



AMC SINGLE WIDTH, HALF HEIGHT MODULE FACE PLATE



AMC SINGLE WIDTH, FULL HEIGHT MODULE FACE PLATE



STANDARD FACE PLATE

THIS DRAWING IS A CONTROLLED DOCUMENT.		DMN	15FEB2008	TE Connectivity	
DIMENSIONS:		CHK	M.E.S./L.A. WAYER	NAME CONNECTOR ASSEMBLY, LOW PROFILE, PRESS FIT, MODULAR JACK, 1X4, RJ45	
mm		APVD	J.WESTMAN		
TOLERANCES UNLESS OTHERWISE SPECIFIED:		PRODUCT SPEC	15FEB2008	SIZE CAGE CODE DRAWING NO RESTRICTED TO	
0 PLC	±	APPLICATION SPEC	S.FLICKINGER	A100779C=1888251	
1 PLC	±	114-13179		RESTRICTED CUSTOMER	
2 PLC	±0.13	WEIGHT		SCALE 4:1 SHEET 3 OF 3 REV C	
3 PLC	±				
4 PLC	±				
ANGLES	±				
FINISH	SEE NOTE 1				

单击下面可查看定价，库存，交付和生命周期等信息

[>>TE Connectivity\(泰科\)](#)