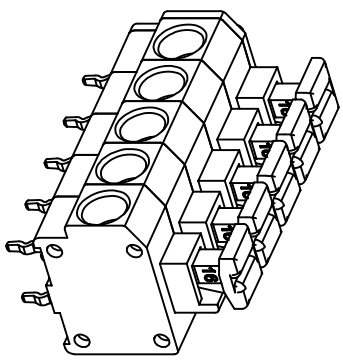
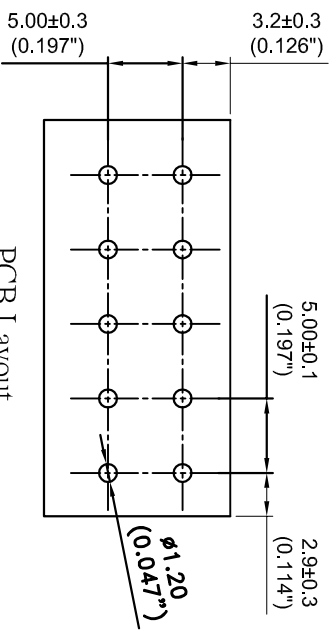
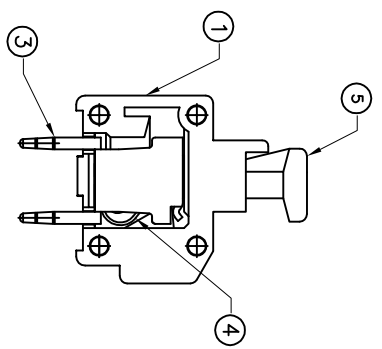
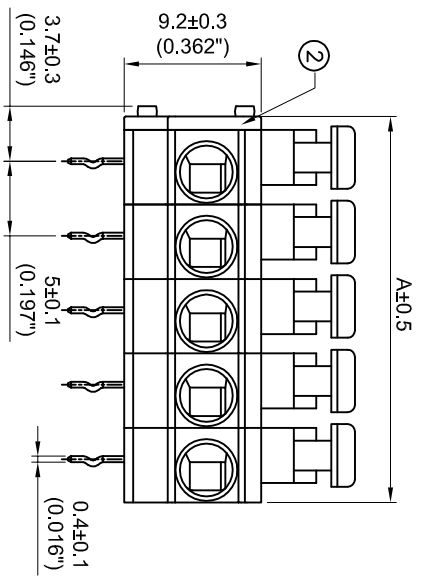
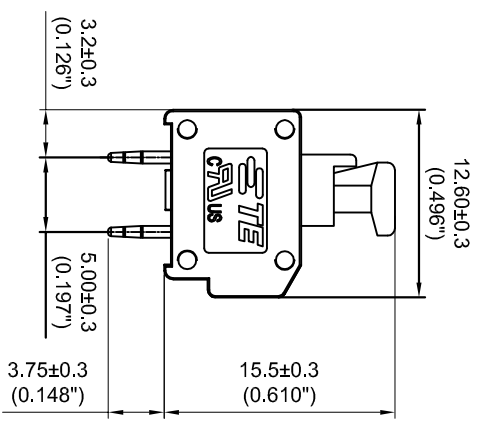


THIS DRAWING IS UNCONTROLLED. ALL RIGHTS RESERVED.

REV A

REVISIONS			DATE	DMN	APP'D
P	LTN	DESCRIPTION			
		REV A	24/02/2015	GF	SJM



NOTES :

- △ MATERIALS AND FINISH:
 - HOUSING: PA66
 - CONTACTS: COPPER, FINISH: TIN OVER NICKEL UNDERPLATE
2. MUST COMPLY WITH DIRECTIVE 2002/95/EC (ROHS)
3. WIRE TYPES AND SIZES ACCEPTED
 WIRE RANGE: 14AWG~20AWG.
 STRIP LENGTH: 9.0mm~10.0mm
4. PACKAGED IN TRAY.
5. CURRENT RATING: 10Amp AC300V.
6. OPERATION TEMPERATURE: -40°C TO +105°C
7. THIS PART NO. IS THE SAME STRUCTURE AS THE SERIES: 2834095
 THE DATASHEET AND MORE DETAILS PLEASE FOLLOW THE SERIES: 2834095

THIS DRAWING IS A CONTROLLED DOCUMENT.

CONTROL	APPROVE	DATE
1. P.C.	2. P.C.	3. P.C.
4. P.C.	5. P.C.	6. P.C.

NAME	028ECC2015	DATE
REV.	028ECC2015	02/28/2015
DESIGNER	XUE XIAN	DATE
CHKD	08-137147	
APP'D	14-137147	

STE TE Connectivity

5.0 Horizontal Entry Screwless Connector

SCALE: 1:1

SHEET 1 OF 1

NO.	DESCRIPTION	REV.	DATE	DMN	APP'D
⑤	LEVER				
④	WIRE PROTECTOR				
③	CONTACT				
②	COVER				
①	HOUSING				

COLOR	DIM A	NO. OF POSITIONS	PART NO
GRAY	40.90	8 POSN	2834095-7
	35.90	7 POSN	2834095-6
	30.90	6 POSN	2834095-5
	25.90	5 POSN	2834095-4
	20.90	4 POSN	2834095-3
	15.90	3 POSN	2834095-2
	10.90	2 POSN	2834095-1

单击下面可查看定价，库存，交付和生命周期等信息

[>>TE Connectivity\(泰科\)](#)