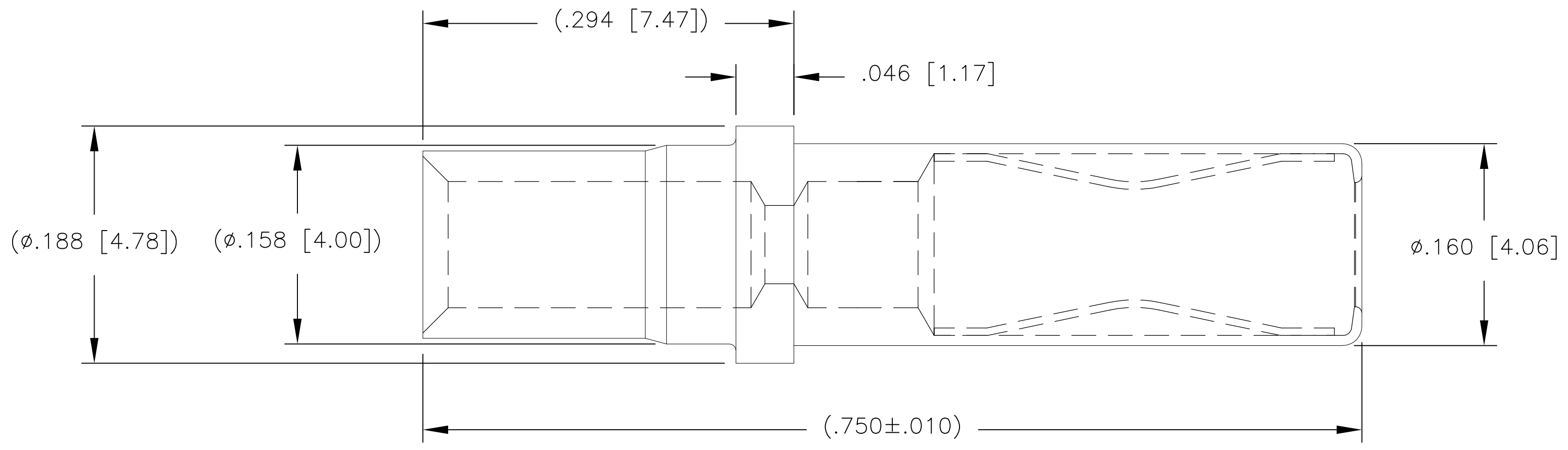


THIS DRAWING IS UNPUBLISHED. RELEASED FOR PUBLICATION  
 © COPYRIGHT - By - ALL RIGHTS RESERVED.

EC		LOC	DIST	REVISIONS					
CPR		-	-	P	LTR	DESCRIPTION	DATE	DWN	APVD
				B1		REVISED PER ECO-11-005150	21MAR11	RK	HMR



- 4. FINISHES:  
 SOCKET BODY: SILVER PLATED.  
 CROWN: GOLD PLATED.
- 3. MATERIALS:  
 SOCKET BODY: COPPER ALLOY.  
 CROWN: BeCu
- 2. ITEMS PROVIDED TO THIS SPECIFICATION SHALL BE IDENTIFIED WITH THE FOLLOWING MINIMUM INFORMATION ON THE SHIPPING PACKAGE MFG IDENT, PART NUMBER AND DATE CODE OF MANUFACTURE.
- 1. PART NUMBER AND/OR DESIGN CHANGES AFFECTING ITEM INTERCHANGEABILITY REQUIRE PRIOR TE CONNECTIVITY APPROVAL AND AUTHORIZATION BY REVISION TO THIS DRAWING.

NOTES: UNLESS OTHERWISE SPECIFIED

THIS DRAWING IS A CONTROLLED DOCUMENT.		DWN	12/05/05	<b>STE</b> TE Connectivity	
		CHK	-		
DIMENSIONS: INCH(MM)		TOLERANCES UNLESS OTHERWISE SPECIFIED:		NAME	
		0 PLC	± -	D. CHAU 12/05/05	
		1 PLC	± -	APVD	
		2 PLC	± 0.02(0.5)	PRODUCT SPEC	
		3 PLC	± 0.010(0.25)	APPLICATION SPEC	
MATERIAL		FINISH		SIZE	CAGE CODE
-		-		A2	00779
CUSTOMER DRAWING				DRAWING NO	RESTRICTED TO
				C=6648318	-
				SCALE 10:1	SHEET 1 of 1
				REV B1	

单击下面可查看定价，库存，交付和生命周期等信息

[>>TE Connectivity\(泰科\)](#)