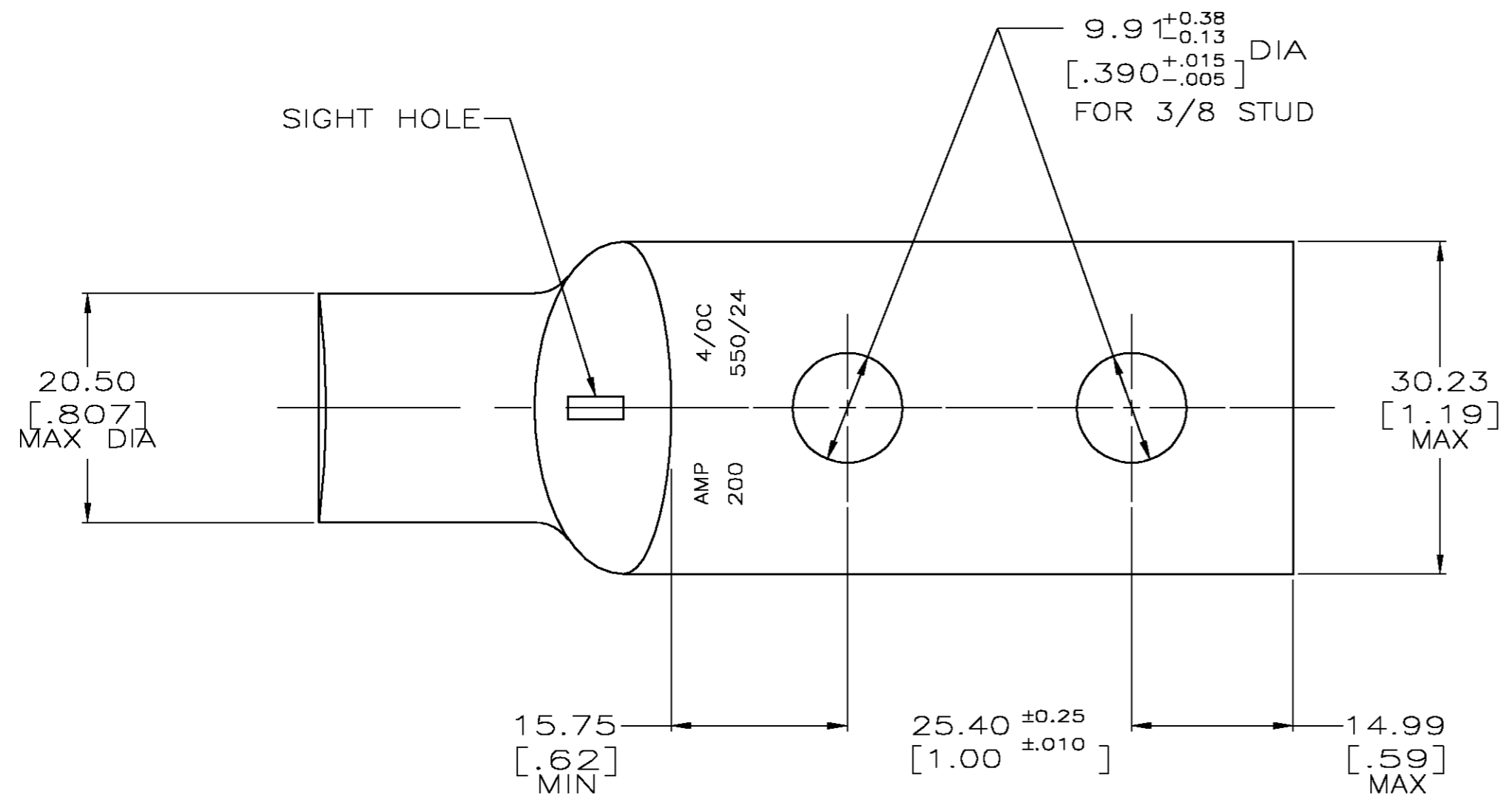
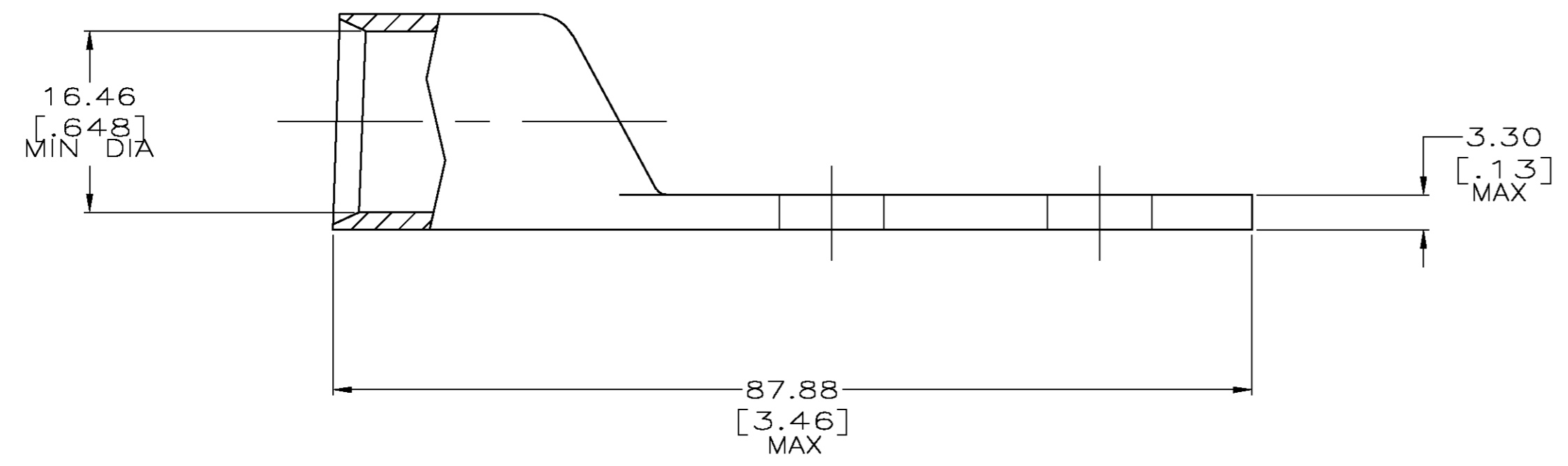


THIS DRAWING IS UNPUBLISHED. RELEASED FOR PUBLICATION
 © COPYRIGHT BY TYCO ELECTRONICS CORPORATION. ALL RIGHTS RESERVED.

LOC	DIST	REVISIONS					
		P	LTR	DESCRIPTION	DATE	DWN	APVD
G	86	Y		REV PER 0G3A-0723-03	12NOV03	jr	MS



- 1 CIRCULAR MIL RANGE: 190,000-231,000 CM
- 2 TIN PLATE 0.00381 [0.000150] MIN THK PER ASTM B545
- 3 CLEANED, UNPLATED
- 4 COPPER PER ASTM B-75, ANNEALED



3	326803-5
2	326803
FINISH	PART NO

THIS DRAWING IS A CONTROLLED DOCUMENT.		DWN DK SCHRUM 02/28/90	Tyco Electronics Corporation	
DIMENSIONS: INCHES		CHK AJ KAUFMAN 6/10/92	Harrisburg, PA 17105	
TOLERANCES UNLESS OTHERWISE SPECIFIED:		APVD J MECKLEY 6/10/92	NAME	
0 PLC ± -	1 PLC ± -	PRODUCT SPEC	TERMINAL, AMPPOWER, WIRE SIZE: 4/0 AWG	
2 PLC ± -	3 PLC ± -	APPLICATION SPEC	SIZE A2	CAGE CODE 00779
4 PLC ± -	ANGLES ± -	FINISH	DRAWING NO C=326803	RESTRICTED TO
MATERIAL - 4	SEE TABLE	WEIGHT .142 LBS	SCALE 2:1	SHEET 1 OF 1
CUSTOMER DRAWING		REV Y		

326803

A

单击下面可查看定价，库存，交付和生命周期等信息

[>>TE Connectivity\(泰科\)](#)