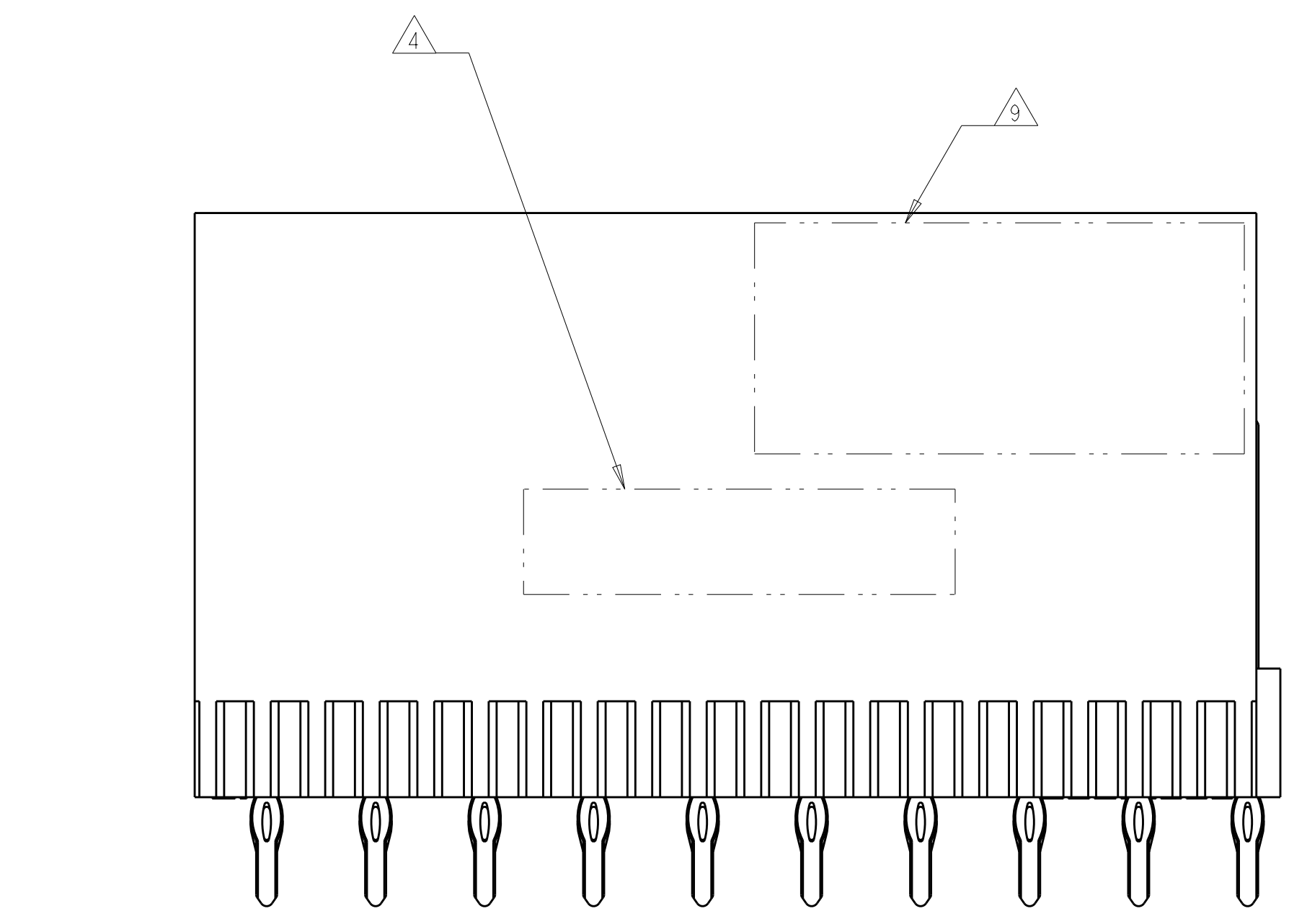
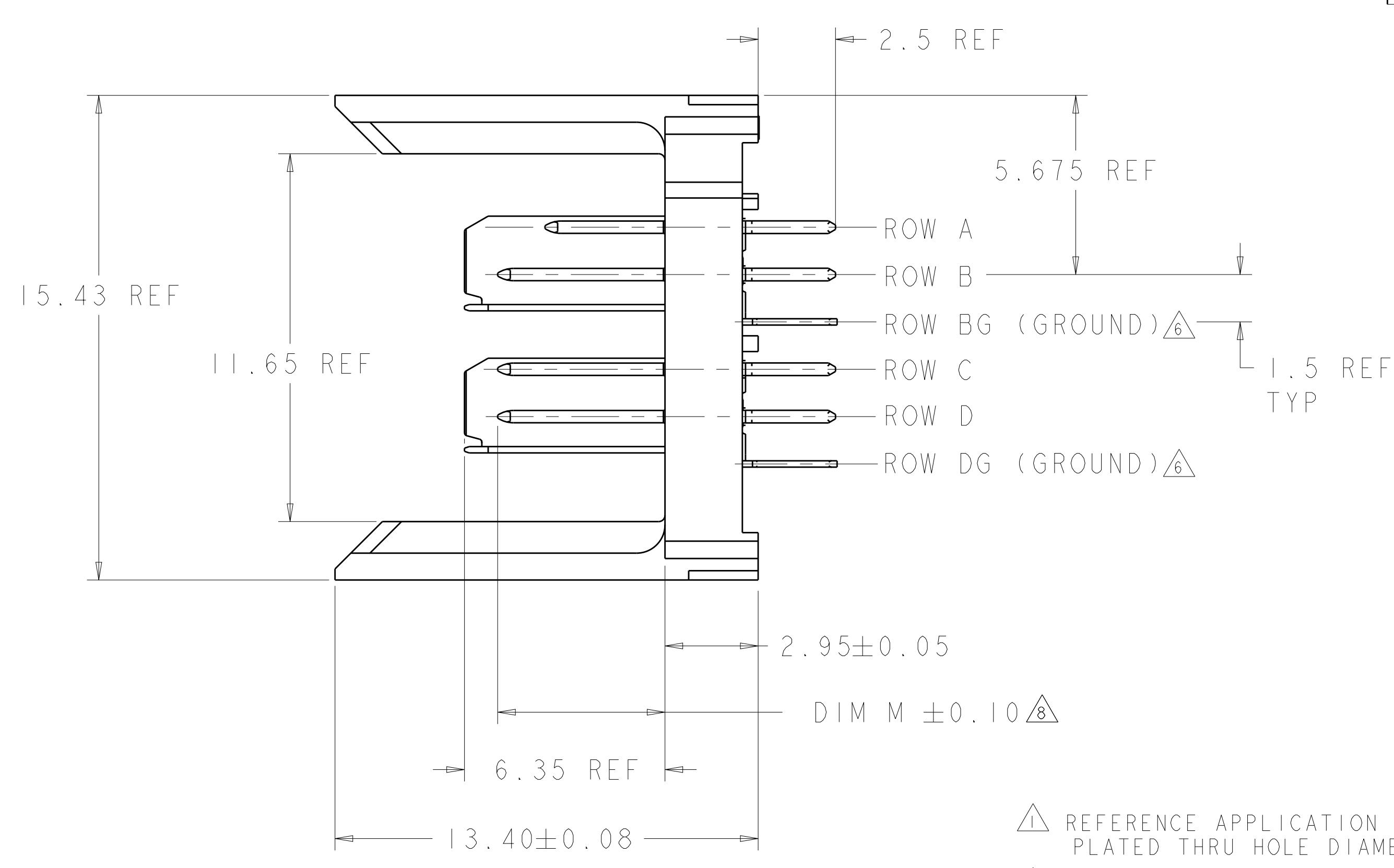
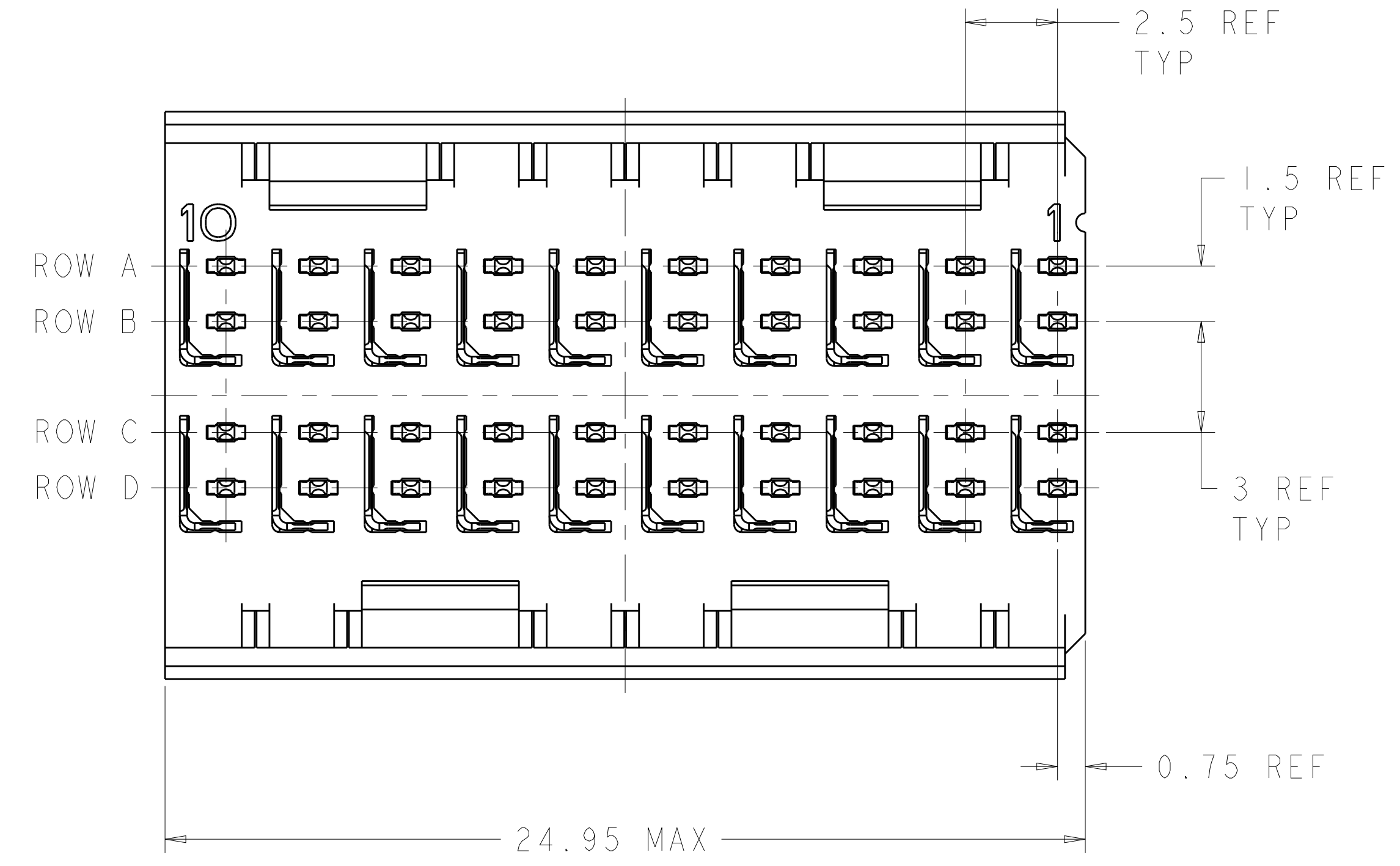
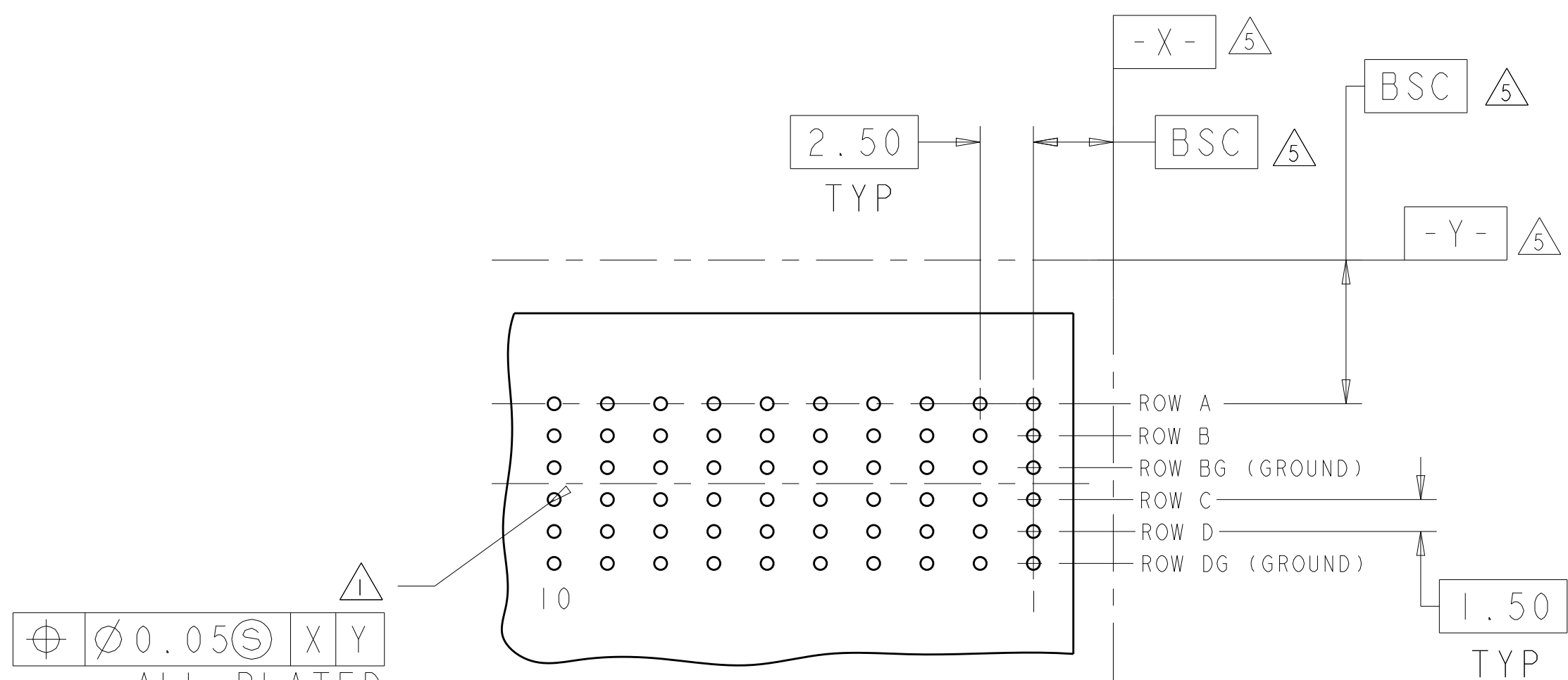


REVISIONS				
P.	LTN.	DESCRIPTION	DATE	APVD.
F		REVISED PER ECO-18-018129	09OCT2019	AP DS



- △ REFERENCE APPLICATION SPEC 114-13059 FOR RECOMMENDED PLATED THRU HOLE DIAMETER AND PLATING THICKNESSES.
- △ MATERIAL:
CONTACT AND SHIELD - PHOSPHOR BRONZE
HOUSING - GLASS FILLED POLYESTER. UL 94V-0.
- △ FINISH: CONTACT AND SHIELD
MATING AREA - 1.27µm MIN GOLD OVER 1.27µm MIN NICKEL
COMPLIANT PIN AREA - 0.5µm MIN TIN OVER 1.27µm MIN NICKEL
- △ CONNECTOR MARKED WITH PART NUMBER AND DATE CODE.
- △ DATUMS AND BASIC DIMENSIONS ESTABLISHED BY CUSTOMER.
- △ THE TWO GROUNDS IN EACH COLUMN ARE COMMONED.
- 7. CONTACT AREA LUBRICATED WITH BELLCORE APPROVED LUBRICANT. TECHNICAL REFERENCE: GR-1217-CORE, ISSUE 1, NOVEMBER 1995.
- △ REFER TO "CONTACT LAYOUT" CHART FOR SEQUENCING.
- △ TE OR TE CONNECTIVITY LOGO IS LOCATED.



⊕ ∅0.05Ⓢ X Y
ALL PLATED THRU HOLES

RECOMMENDED PC BOARD LAYOUT, BACKPLANE, COMPONENT SIDE SHOWN
SCALE 4:1

CONTACT LAYOUT
A = 3.80mm (DIM M)
B = 5.30mm (DIM M)
G = GROUND

		COLUMNS									
		10	9	8	7	6	5	4	3	2	1
ROWS	A	B	B	B	A	B	B	B	B	A	B
	B	B	B	B	A	B	B	B	B	A	B
	BG	G	G	G	G	G	G	G	G	G	G
	C	B	B	B	B	B	B	B	B	B	B
	D	B	B	B	B	B	B	B	B	B	B
DG	G	G	G	G	G	G	G	G	G	G	

1645525-1
PART NUMBER

THIS DRAWING IS A CONTROLLED DOCUMENT.		OWN: D. HUMBERT 30JUL2009	
DIMENSIONS: mm		CHK: A. DAVILSON 30JUL2009	
TOLERANCES UNLESS OTHERWISE SPECIFIED:		APVD: A. DAVILSON 30JUL2009	NAME: HEADER ASSEMBLY, 2 PAIR, SELECTIVELY LOADED, 2.5mm TAIL, 25mm, HMZd
0 PLC ±		PRODUCT SPEC	SIZE: CAGE CODE DRAWING NO
1 PLC ±		APPLICATION SPEC	RESTRICTED TO
2 PLC ±		WEIGHT	A 100779 ©=1645525
3 PLC ±		CUSTOMER DRAWING	SCALE 8:1 SHEET 1 OF 1 REV F
4 PLC ±			
ANGLES ±			
MATERIAL			
FINISH			

单击下面可查看定价，库存，交付和生命周期等信息

[>>TE Connectivity\(泰科\)](#)