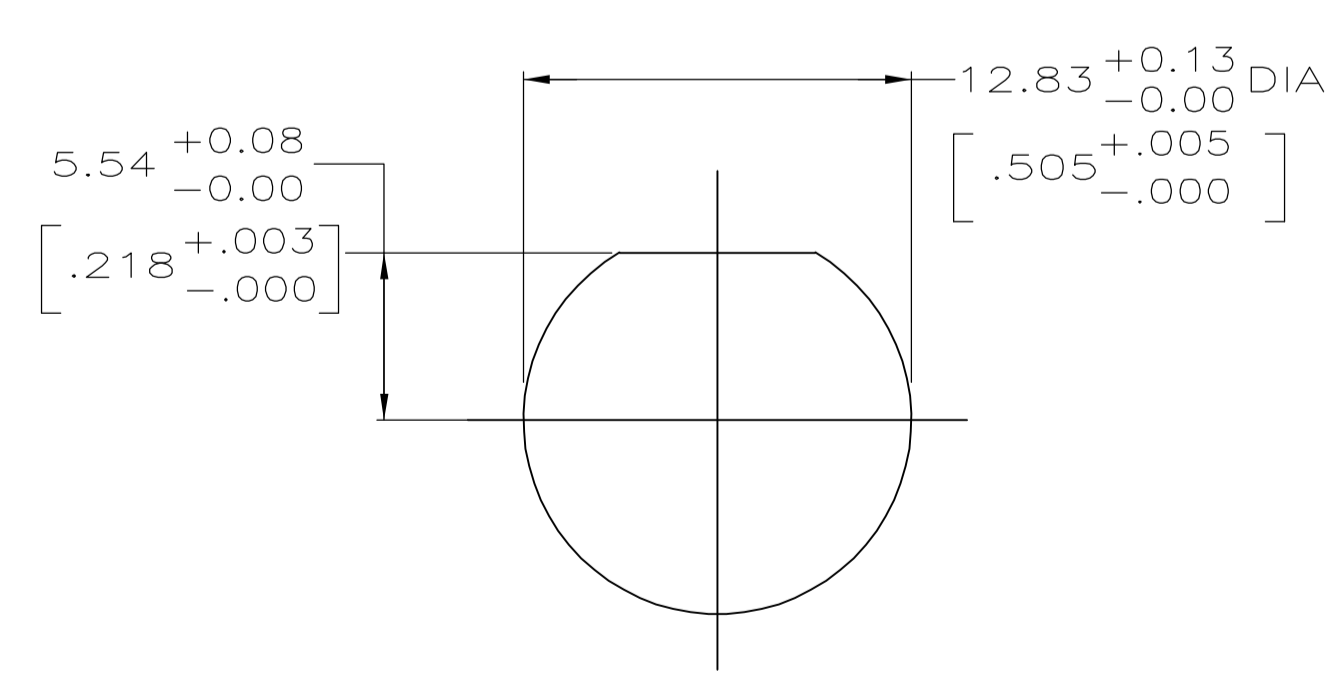
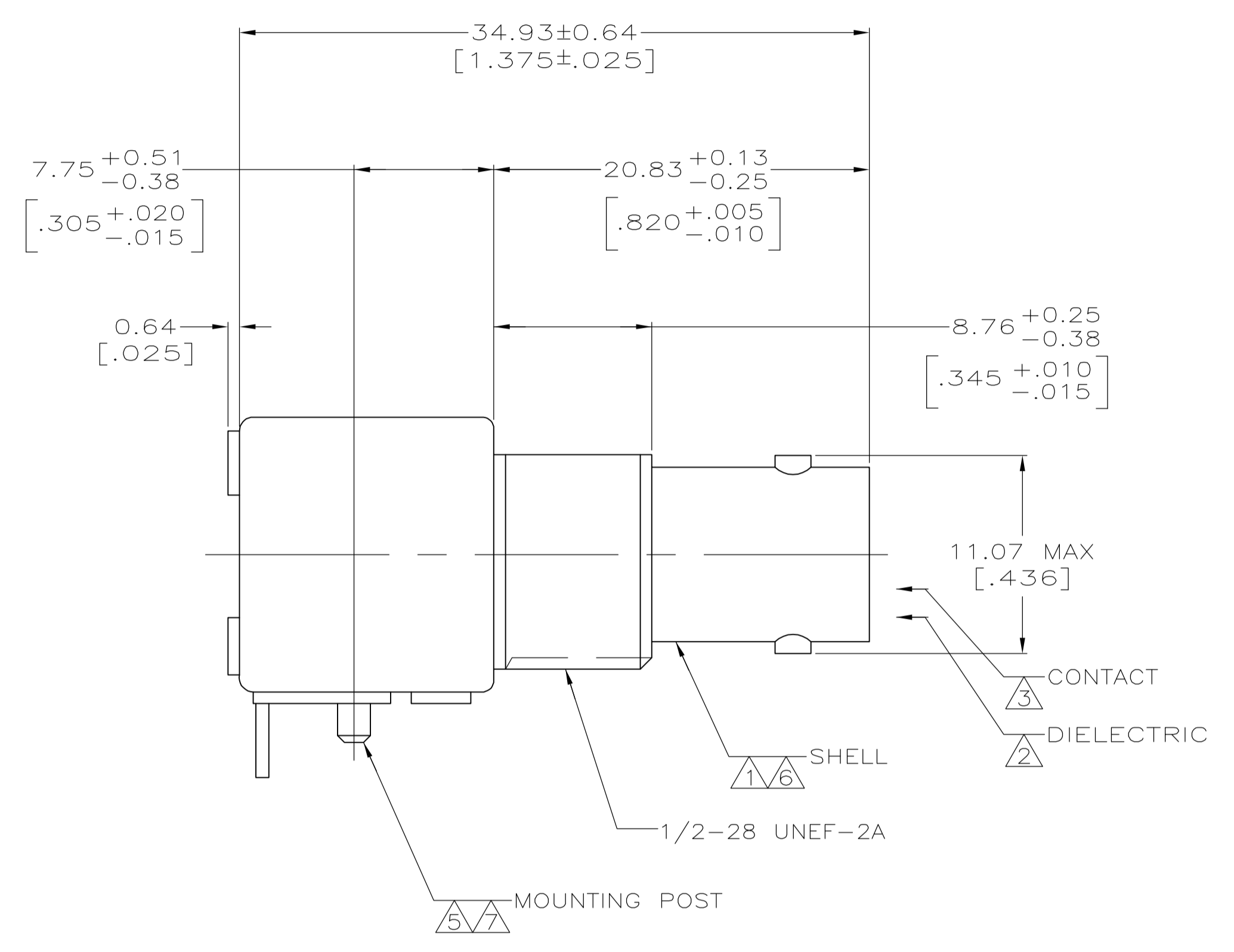
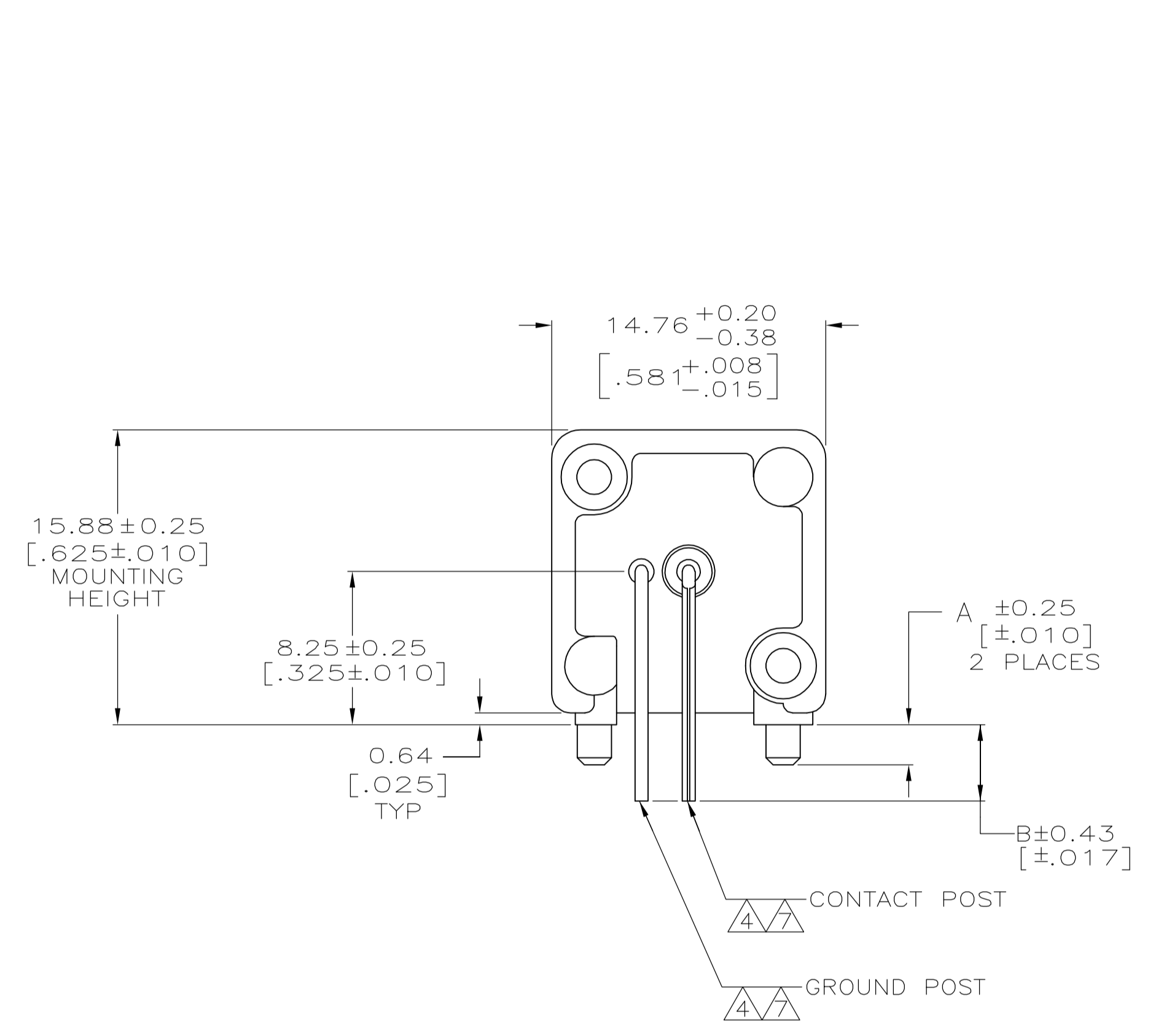
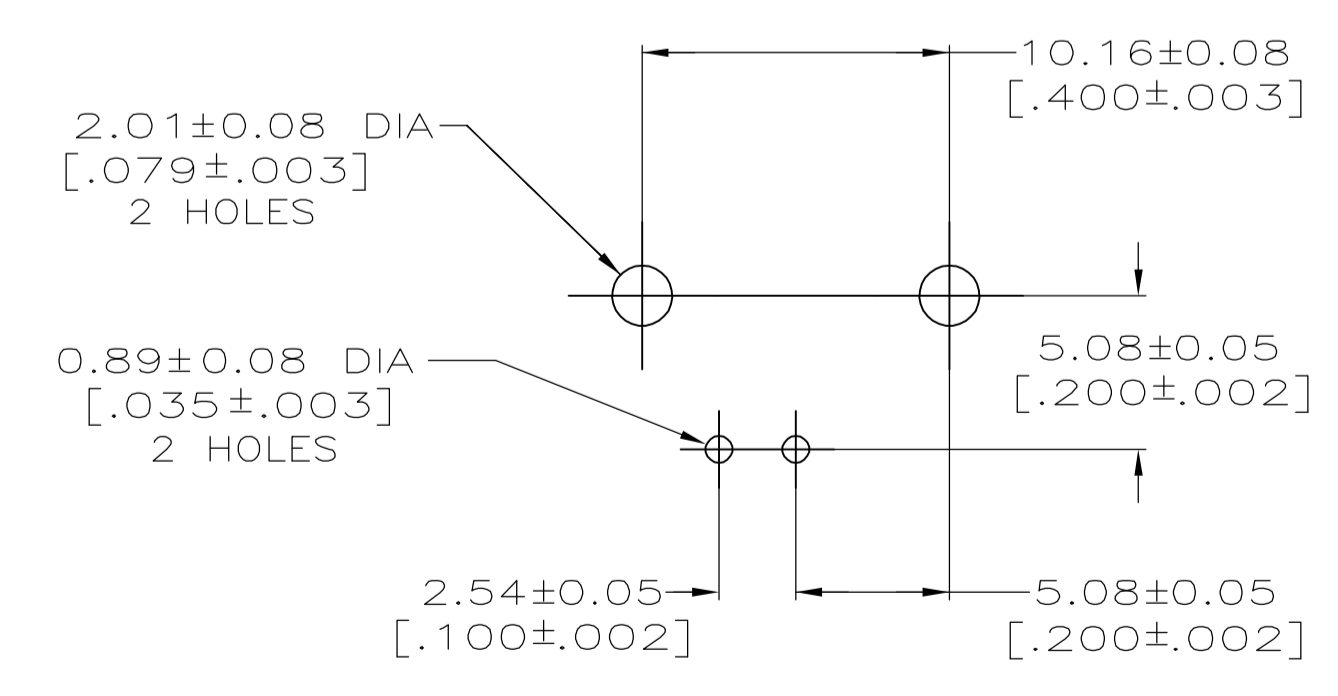


LOC	DIST	REVISIONS			
REV	DATE	DESCRIPTION	DATE	BY	APPROV
AJ	16	K	REVISED PER EC 0514-0456-04	13DEC05	BL JL

- ① ZINC PER QQ-Z-363.
 - ② POLYMETHYLPENTENE, GENERAL PURPOSE.
 - ③ BERYLLIUM COPPER PER QQ-C-530.
 - ④ BRASS PER ASTM-B-453.
 - ⑤ BRASS PER ASTM-B-16.
 - ⑥ NICKEL PLATE PER QQ-N-290, 3.81 μm [.000150] MINIMUM THICK.
 - ⑦ TIN PLATE PER ASTM-B-545, 3.81 μm [.000150] MINIMUM THICK.
 - ⑧ GOLD PLATE PER MIL-G-45204, 0.76 μm [.000030] MINIMUM THICK.
 - ⑨ SILVER PLATE PER QQ-S-365, 2.54 μm [.000100] MINIMUM THICK.
 - ⑩ GOLD PLATE PER MIL-G-45204, 1.27 μm [.000050] MINIMUM THICK.
11. SEE INSTRUCTION SHEET 2769.



RECOMMENDED PANEL CUTOUT



PCB CONFIGURATION

OBSOLETE	4.11	[.162]	2.16	[.085]	①	222092-5
OBSOLETE	2.92	[.115]	2.16	[.085]	②	222092-4
	4.11	[.162]	3.48	[.137]	③	222092-3
OBSOLETE	4.11	[.162]	2.16	[.085]	④	222092-2
	4.11	[.162]	2.16	[.085]	⑤	222092-1

DIMENSIONS:		TOLERANCES UNLESS OTHERWISE SPECIFIED:		APPROVED		NAME		SIZE		SCALE		SHEET		REV	
INCHES		0 PLC ± -		J. LIPPERT 3-4-92		A. GABANY 3-13-92		A1		1:1		1 OF 1		K	
MATERIAL		FINISH		WEIGHT		CUSTOMER DRAWING		DRAWING NO		DRAWING NO		SHEET		REV	
SEE NOTES 1-5		SEE NOTES 6-10		-		A1 00779		222092		222092		1 OF 1		K	

单击下面可查看定价，库存，交付和生命周期等信息

[>>TE Connectivity\(泰科\)](#)