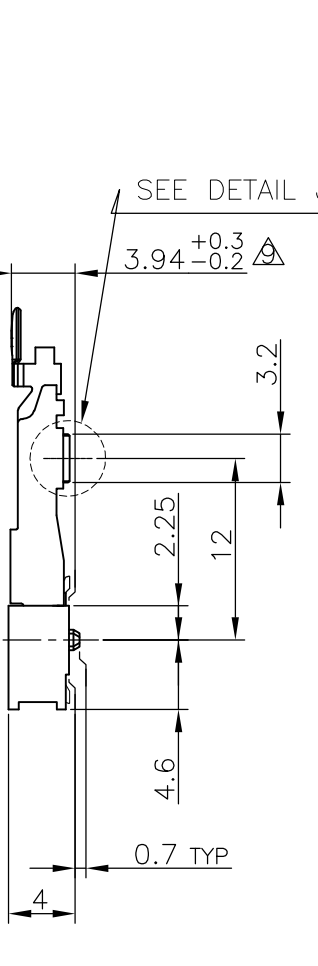
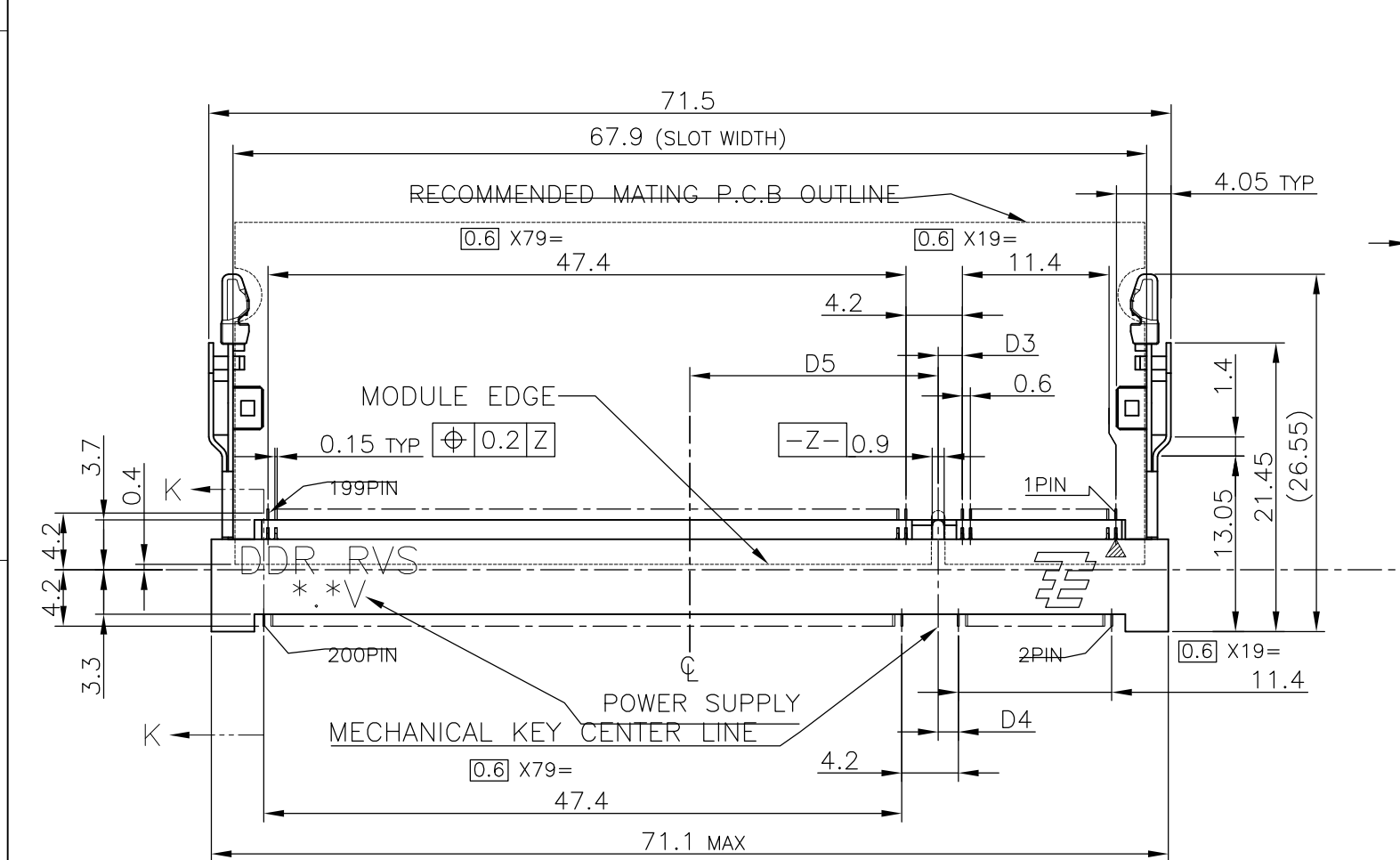
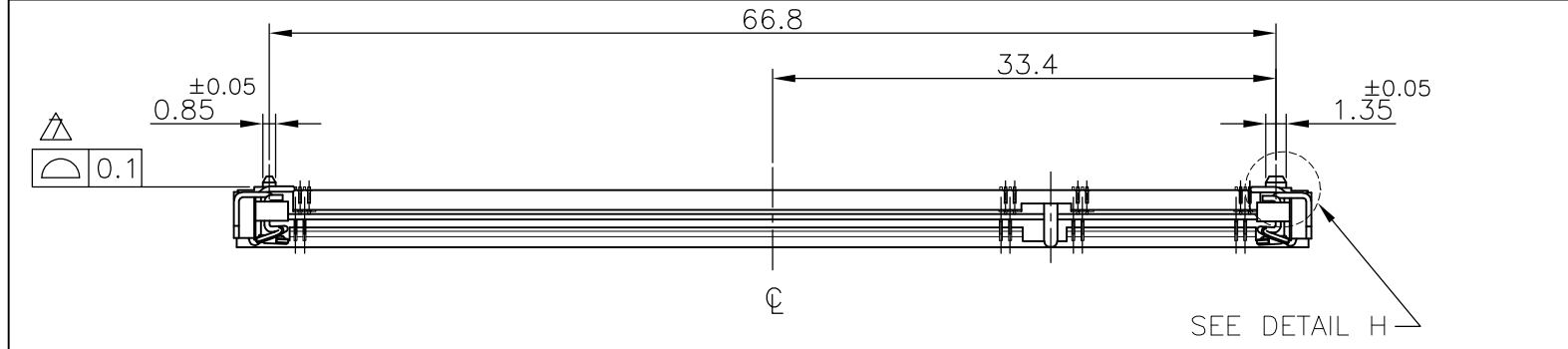


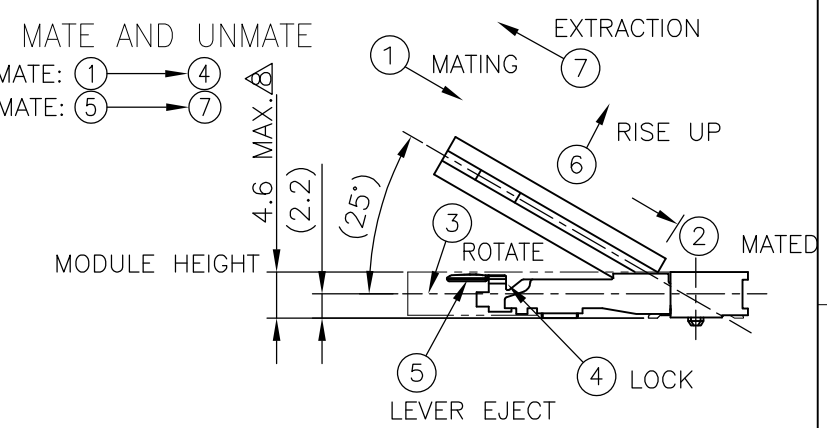
THIS DRAWING IS UNPUBLISHED. RELEASED FOR PUBLICATION SEP, 2003.
 © COPYRIGHT 2003 BY TYCO ELECTRONICS CORPORATION. ALL RIGHTS RESERVED.

LOC		DIST		REVISIONS			
ES	/	P	LTR	DESCRIPTION	DATE	DWN	APVD
			B1	ECR-10-014882	19JUL10	B.W	S.Y

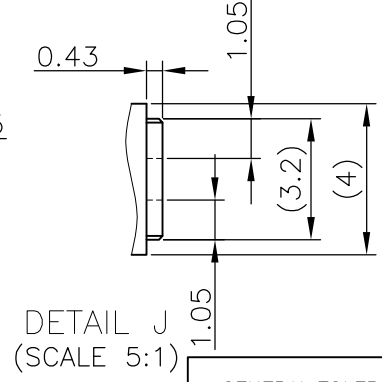
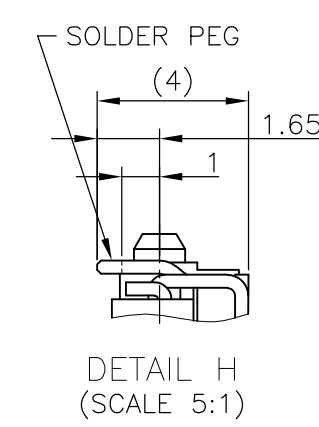
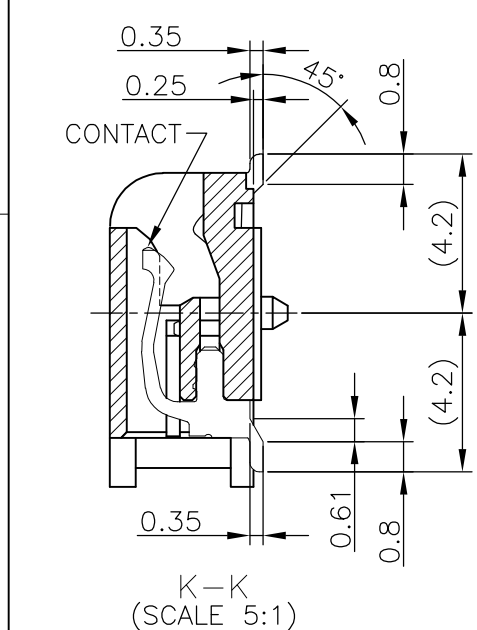


HOW TO MATE AND UNMATE

- MATE: ① → ④
- UNMATE: ⑤ → ⑦



- (APPLIED TO SHEET 1-2)
- MATERIAL ; HOUSING: HIGH TEMPERATURE THERMO PLASTIC UL94V-0
 CONTACT: COPPER ARROY
 LOCK LEVER: STAINLESS STEEL
 SOLDER PEG: COPPER ARROY
 - FINISH ; CONTACT AREA: GOLD FLASH ON 0.0013MIN ALL OVER NICKEL.
 SOLDERING AREA: GOLD FLASH PLT.
 SOLDER PEG: TIN PLATING.
- ⚠ MECHANICAL KEY POSITION OF CONNECTOR SEE TABLE.
 - ⚠ TOLERANCES NON-CUMULATIVE.
 - ⚠ NOT TO SCALE.
 - 6 [] INSIDE MUST BE RESIST COAT EXCEPT SOLDER PATTERN.
 - ⚠ COPLANARITY : 0.1 MAX.
 - ⚠ THE FLOATING VALUE BY SOLDERING IS NOT INCLUDED.
 - ⚠ NOT MATING CONDITION.
 - 10 IF THE MODULE DOESN'T INSERT AND LOCK IN THE LATCH SMOOTHLY, OPEN WIDE BOTH LATCHES BY MANUAL. AND THE MODULE MUST BE INSERTED AND LOCKED IN THE LATCH.
 - ⚠ FINISH ; CONTACT AREA: GOLD PLATING 0.000254MIN ON 0.0013MIN ALL OVER NICKEL.
 SOLDERING AREA: GOLD FLASH PLATING.
 LOCK LEVER: TIN PLATING.



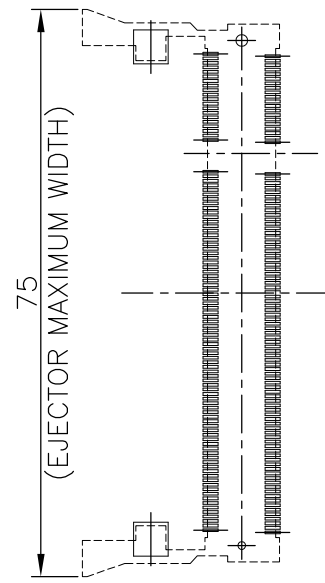
GENERAL TOLERANCE
 10 ≥ : ±0.2
 30 ≥ > 10: ±0.25
 100 ≥ > 30: ±0.3
 ANGLES : ±3°

AVAILABLE	⚠	1.8V (DDR2)	17.55	2.4	2.7	200	292407-5
AVAILABLE	⚠	1.8V (DDR2)	17.55	2.4	2.7	200	292407-4
TOOLING STATUS	REMARK	POWE SUPPLY (TYPE)	D5	D4	D3	POS	PART NO.
THIS DRAWING IS A CONTROLLED DOCUMENT.		DWN LEO ZHOU	25MAY05	Tyco Electronics Corporation SH/CN GuiPingRD 668#			
DIMENSIONS: MM		CHK T.KAWAMAE	25MAY05	NAME			
TOLERANCES UNLESS OTHERWISE SPECIFIED:		APVD STEVEN YAO	25MAY05	PRODUCT SPEC			
0 PLC ±		108-5701		APPLICATION SPEC			
1 PLC ±		WEIGHT 3.2g		SIZE A3		CAGE CODE 00779	
2 PLC ±		CUSTOMER DRAWING		DRAWING NO C-292407		RESTRICTED TO	
3 PLC ±		SCALE 2:1		SHEET 1 OF 4		REV B1	
4 PLC ±							
ANGLES ±							
FINISH							

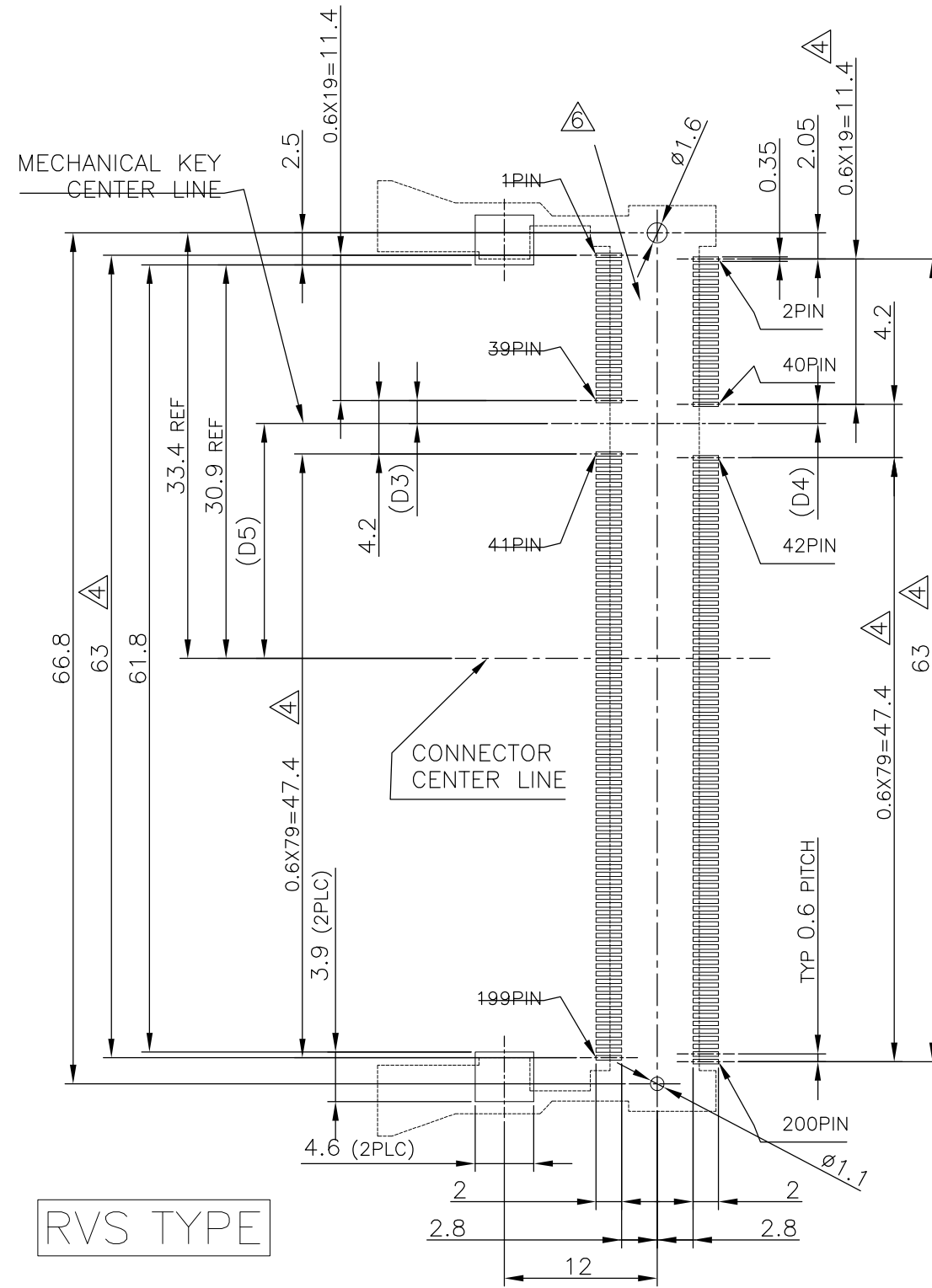
THIS DRAWING IS UNPUBLISHED. RELEASED FOR PUBLICATION SEP ,2003.
 © COPYRIGHT 2003 BY TYCO ELECTRONICS CORPORATION. ALL RIGHTS RESERVED.

LOC ES	DIST	REVISIONS		
P	LTR	DESCRIPTION	DATE	DWN
		SEE SHEET 1	-	-

REFERENCE P.C.BOARD PATTERN LAYOUT (CONNECTOR MOUNTING SIDE)



REAL SIZE (SCALE 1:1)

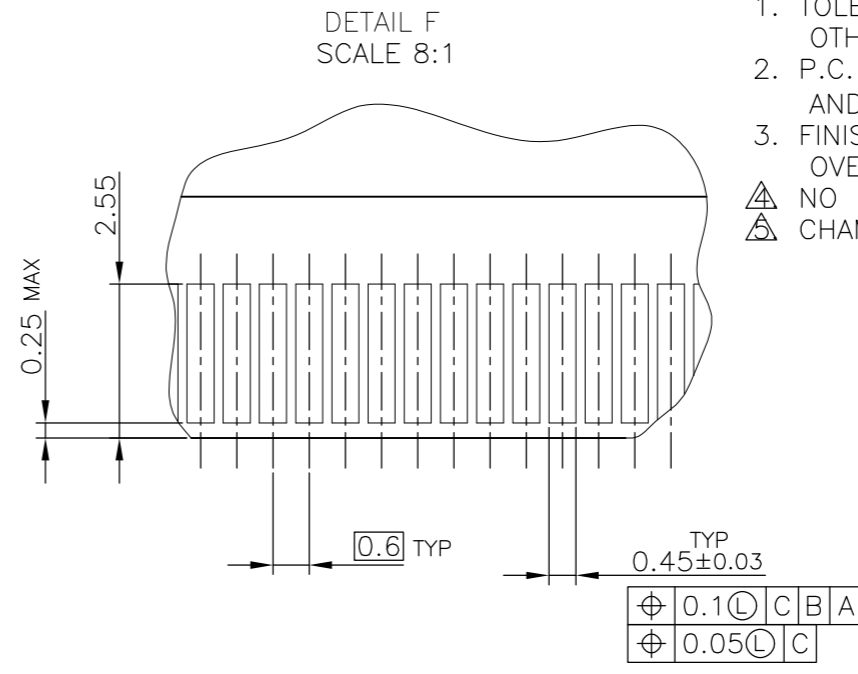
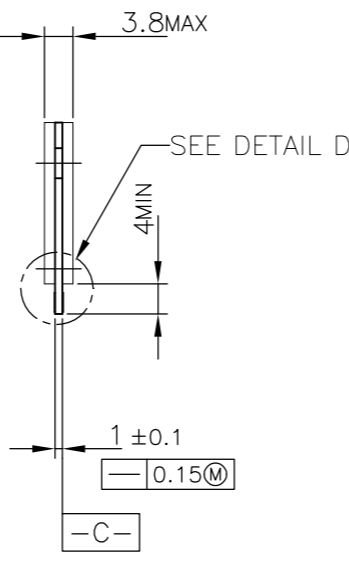
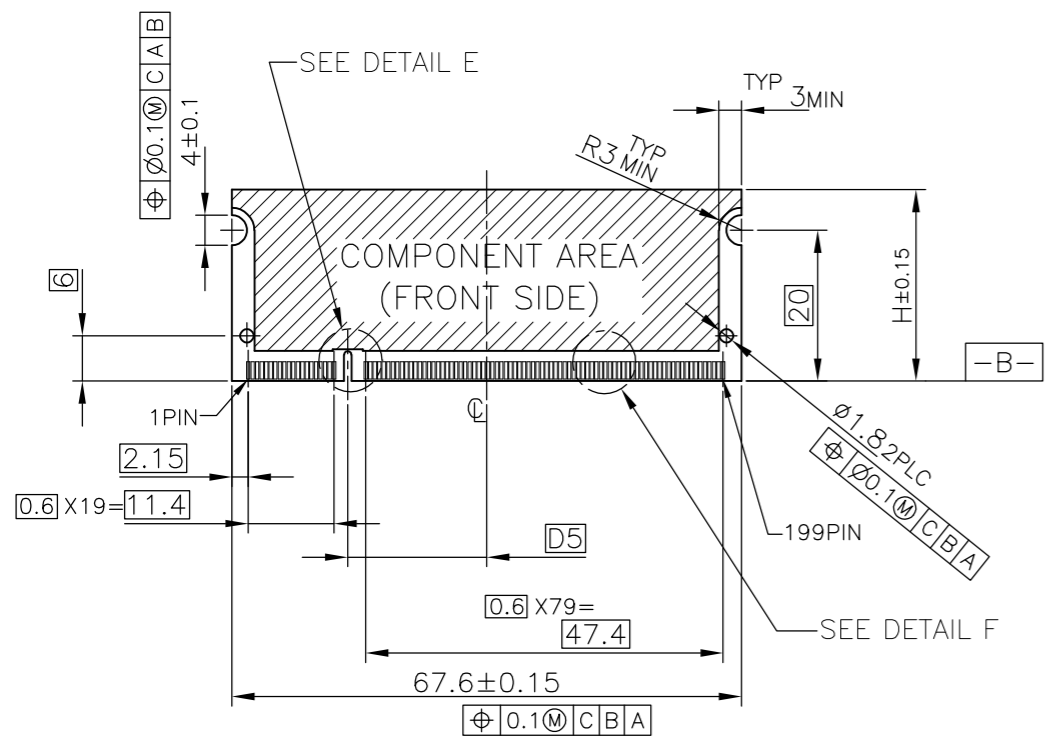


RVS TYPE

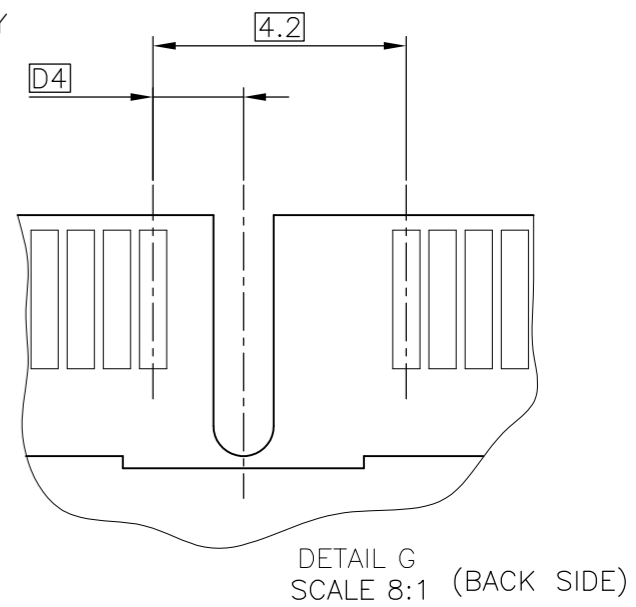
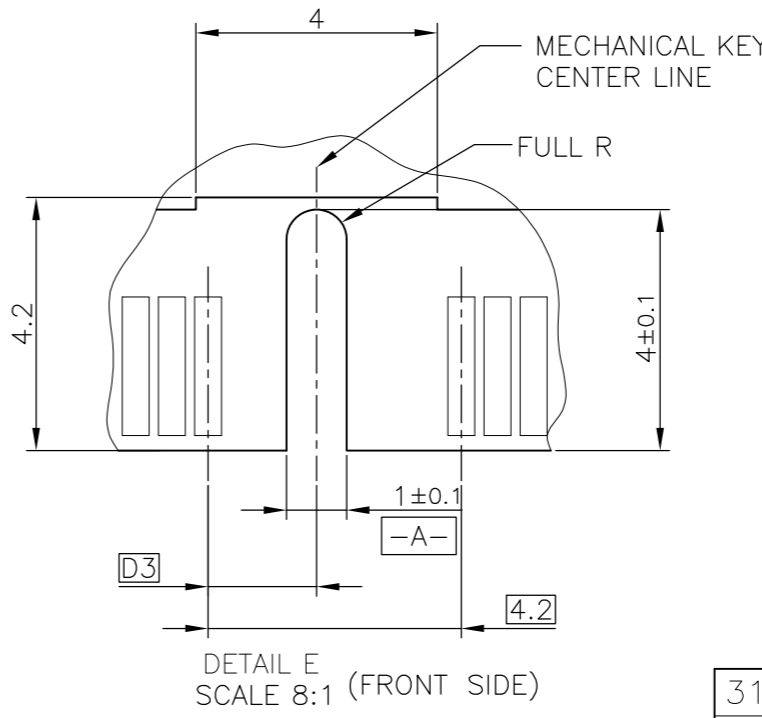
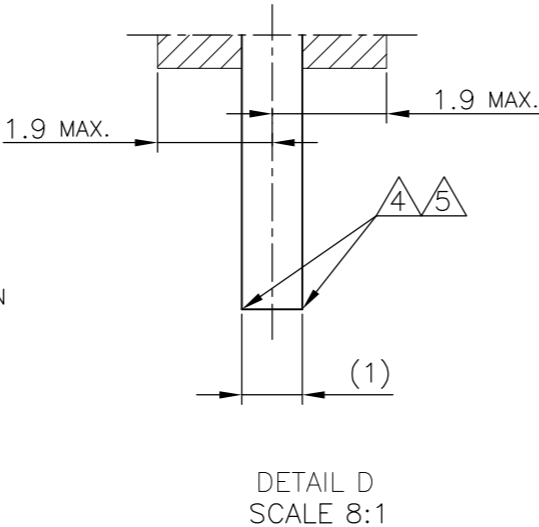
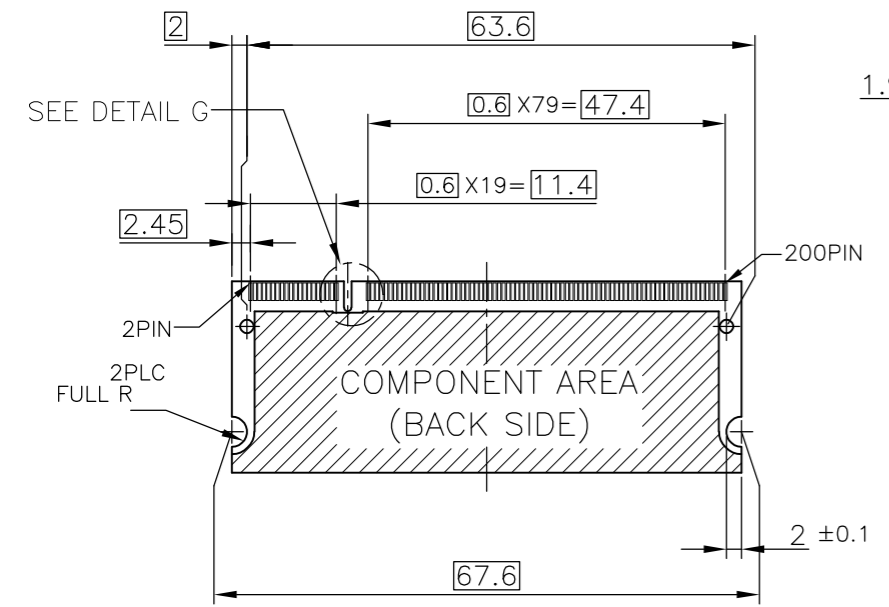
1.8V	17.55	2.4	2.7
2.5V	18.45	1.5	1.8
POWER SUPPLY	D5	D4	D3

THIS DRAWING IS A CONTROLLED DOCUMENT.		DWN	Tyco Electronics Corporation	
DIMENSIONS: MM		CHK	SH/CN GuiPingRD 668#	
TOLERANCES UNLESS OTHERWISE SPECIFIED:		APVD	NAME	
0 PLC ±		PRODUCT SPEC	DDR1 & DDR2 SODIMM SOCKET 0.6mm PITCH	
1 PLC ±		APPLICATION SPEC	200POS LOW PROFILE REVERSE TYPE	
2 PLC ±		WEIGHT	(LATCH DIRECT SOLDERING TYPE)	
3 PLC ±		SIZE CAGE CODE DRAWING NO RESTRICTED TO		
4 PLC ±		A3 00779 C-292407		
ANGLES ±		CUSTOMER DRAWING SCALE 2:1 SHEET 2 OF 4 REV B1		
FINISH				

LOC		DIST		REVISIONS					
ES				P	LTR	DESCRIPTION	DATE	DWN	APVD
						SEE SHEET 1			



- (APPLIED TO SHEET 3)
1. TOLERANCES ON ALL DIMENSIONS ±0.15 UNLESS OTHERWISE SPECIFIED.
 2. P.C. BOARD THICKNESS APPLIES ACROSS TABS AND INCLUDES PLATING AND/OR METALIZATION.
 3. FINISH OF PAD : GOLD PLATING 0.00076 MIN. OVER Ni PLATING 0.002MIN.
- △ NO BURR
- △ CHAMFER 0.25 MAX x 45° IF EXIST.

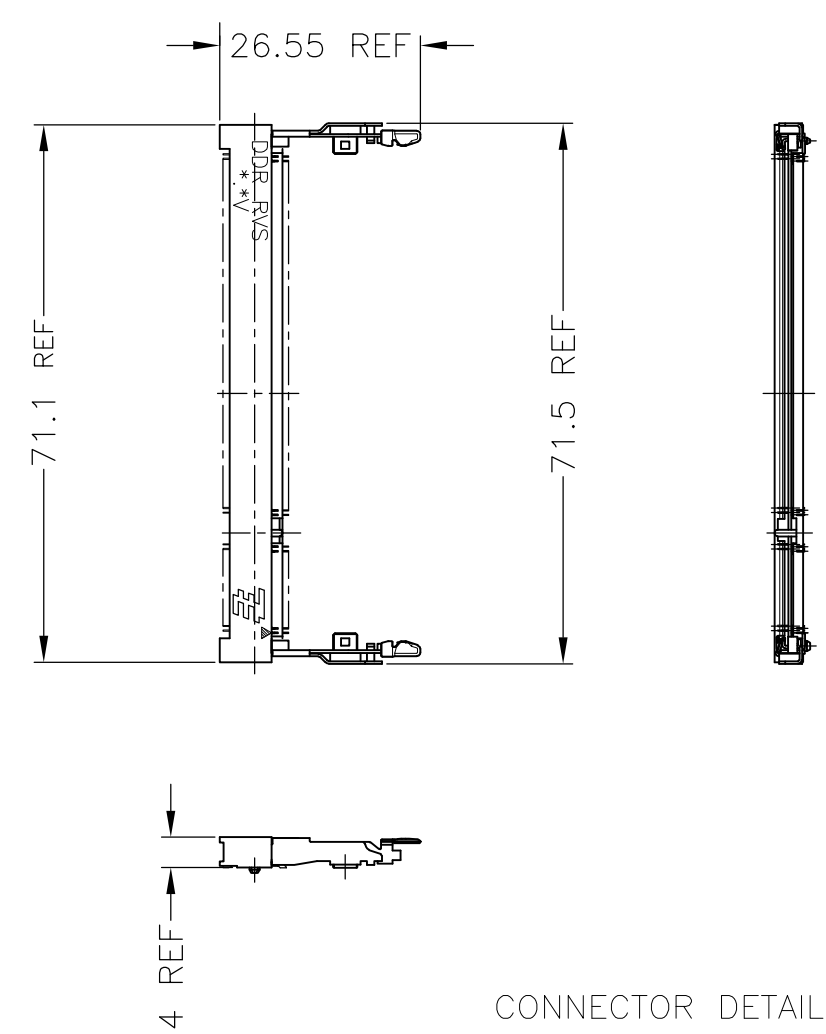
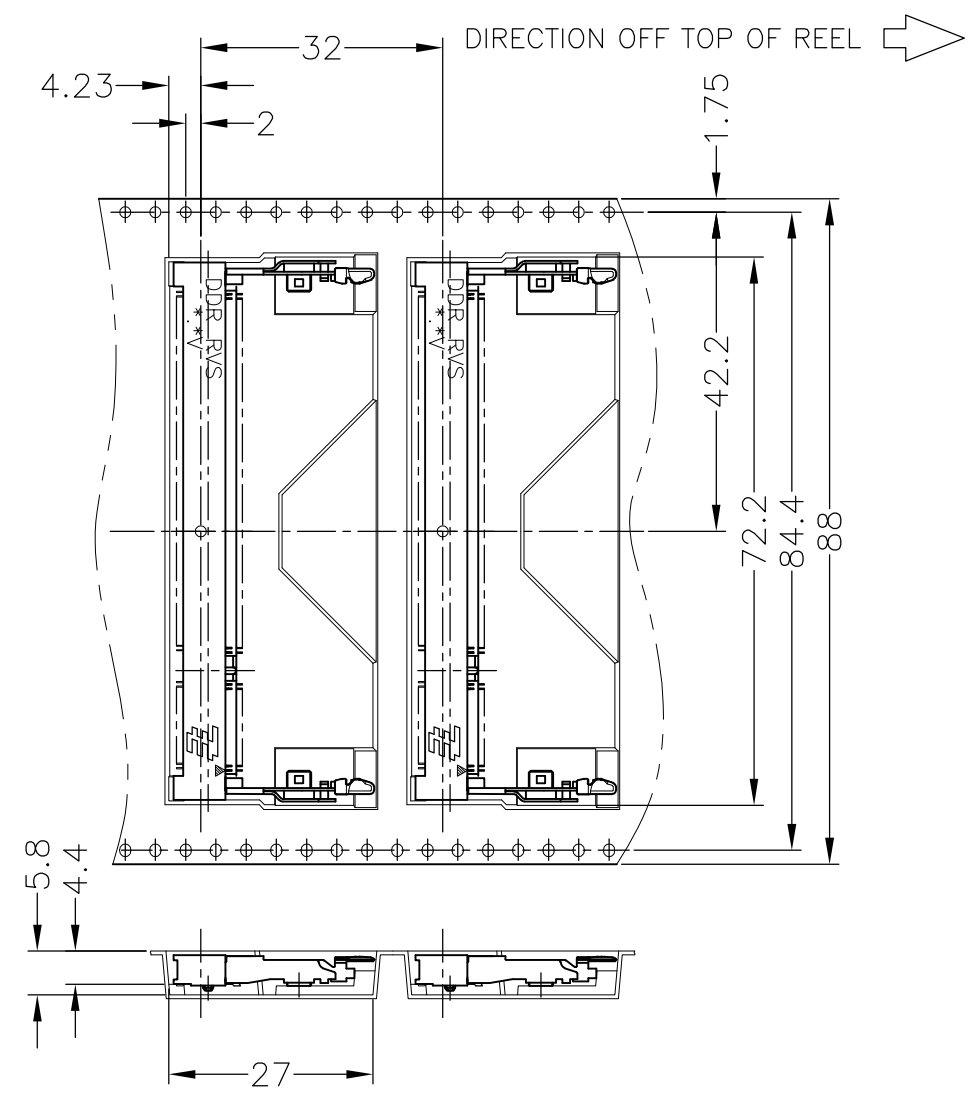


RECOMMENDED MATING P.C.B CONFIGURATION

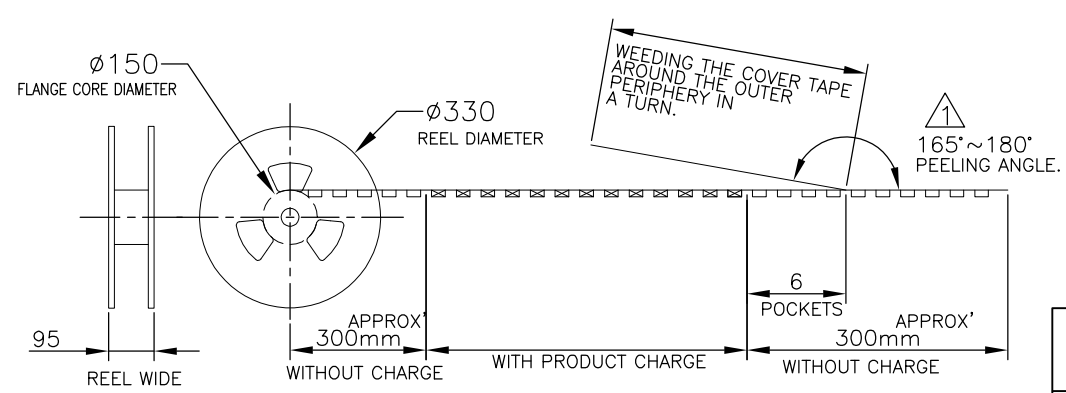
THIS DRAWING IS A CONTROLLED DOCUMENT.		DWN	Tyco Electronics Corporation			
DIMENSIONS: MM		CHK	SH/CN GuiPingRD 668#			
TOLERANCES UNLESS OTHERWISE SPECIFIED:		APVD	NAME			
0 PLC ±		PRODUCT SPEC	DDR1 & DDR2 SODIMM SOCKET 0.6mm PITCH			
1 PLC ±		APPLICATION SPEC	200POS LOW PROFILE REVERSE TYPE			
2 PLC ±		WEIGHT	(LATCH DIRECT SOLDERING TYPE)			
3 PLC ±		CUSTOMER DRAWING	SIZE	CAGE CODE	DRAWING NO	RESTRICTED TO
4 PLC ±			A3	00779	C-292407	
ANGLES ±		SCALE	SHEET		OF	REV
FINISH		2:1	3		OF	B1

THIS DRAWING IS UNPUBLISHED. RELEASED FOR PUBLICATION SEP ,2003.
 © COPYRIGHT 2003 BY TYCO ELECTRONICS CORPORATION. ALL RIGHTS RESERVED.

LOC		DIST		REVISIONS			
P	LTR	DESCRIPTION		DATE	DWN	APVD	
	-	SEE SHEET 1		-	-	-	



CONNECTOR DETAIL



THIS DRAWING IS A CONTROLLED DOCUMENT.		DWN		Tyco Electronics Corporation SH/CN GuiPingRD 668#	
DIMENSIONS: MM		CHK			
TOLERANCES UNLESS OTHERWISE SPECIFIED:		APVD		NAME	
0 PLC ± 1 PLC ± 2 PLC ± 3 PLC ± 4 PLC ± ANGLES ± FINISH ±		PRODUCT SPEC		DDR1 & DDR2 SODIMM SOCKET 0.6mm PITCH 200POS LOW PROFILE REVERSE TYPE (LATCH DIRECT SOLDERING TYPE)	
MATERIAL		APPLICATION SPEC		SIZE	RESTRICTED TO
		WEIGHT		A3	
		CUSTOMER DRAWING		CAGE CODE	DRAWING NO
				00779	C-292407
		SCALE		SHEET	REV
		1:2		4 OF 4	B1

单击下面可查看定价，库存，交付和生命周期等信息

[>>TE Connectivity\(泰科\)](#)