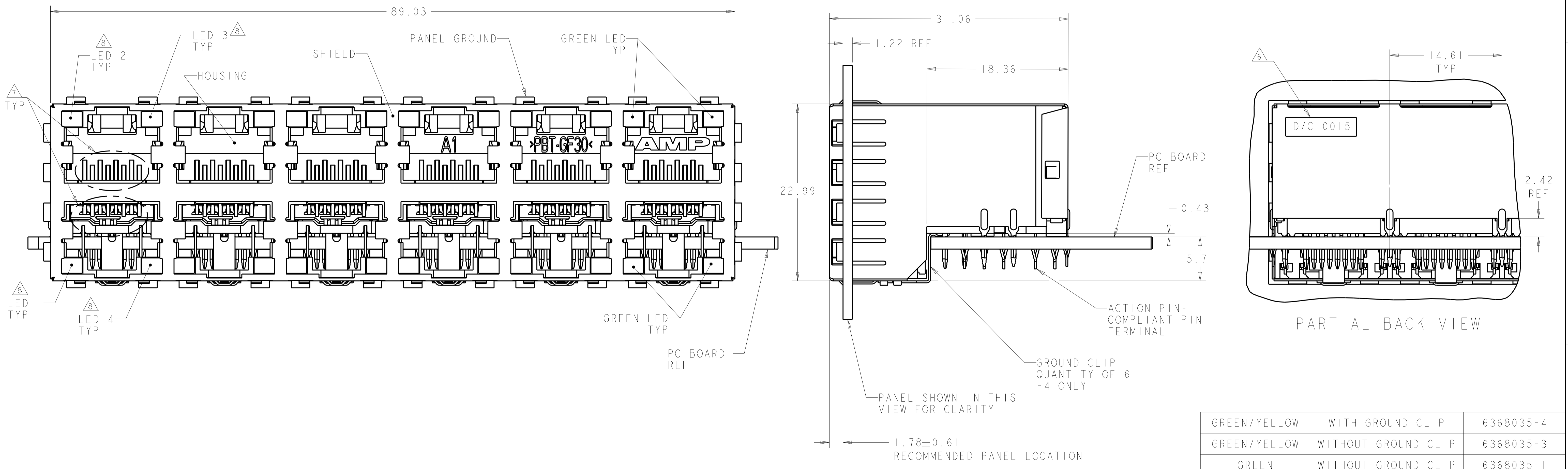


REVISIONS				
P.	LTN	DESCRIPTION	DATE	APVD
B	ECO-15-006810		29DEC2015	LL SH
C	REVISED PER ECO-21-000623		28JAN2021	AK SZ

- MATERIAL:**  
**HOUSING**  
 PBT POLYESTER, BLACK, UL 94V-0.  
**TERMINALS**  
 0.33 THICK PHOSPHOR BRONZE PLATED WITH 1.27µm MINIMUM THICK HARD GOLD IN LOCALIZED AREA AND 2µm MINIMUM THICK MATTE TIN IN ACTION PIN COMPLIANT PIN TERMINAL AREA OVER 1.27µm MINIMUM THICK NICKEL UNDERPLATE.  
**SHIELD**  
 0.25 THICK COPPER ALLOY PLATED WITH 1.27µm MINIMUM NICKEL.  
**LIGHT EMITTING DIODE (LED)**  
 DIFFUSED EPOXY LENS, 12.95 CARBON STL WIREFRAME LEADS PREPLATED WITH 2.29µm SILVER OVER 1.02µm NICKEL UNDERPLATE OVER 2.03µm COPPER UNDERPLATE.  
**LED ACTION PIN - COMPLIANT PIN CONTACTS 0.3 THICK**  
 BRASS PLATED WITH 2µm MINIMUM MATTE TIN OVER 1.27µm MINIMUM NICKEL UNDERPLATE.
  - JACK CAVITY CONFORMS TO FCC RULES AND REGULATIONS, PART 68 SUBPART F.
  - ALL DIMENSIONS ARE NOMINAL UNLESS OTHERWISE SPECIFIED.
- ⚠️ DRILLED HOLE DIA = 1.02±.025.  
 COPPER THICKNESS = 0.025-0.075.  
 TIN THICKNESS = 0.008 MIN.
- ⚠️ DATUMS AND BASIC DIMENSIONS ESTABLISHED BY CUSTOMER.  
 ⚠️ DATE CODE LOCATED ON REAR OF PART APPROXIMATELY AS SHOWN.  
 ⚠️ CONTACTS ARE NOT INTENDED TO BE ALIGNED WITH EACH OTHER.  
 ⚠️ SUGGESTED OPERATING CURRENT FOR LEDS IS 20 mA.



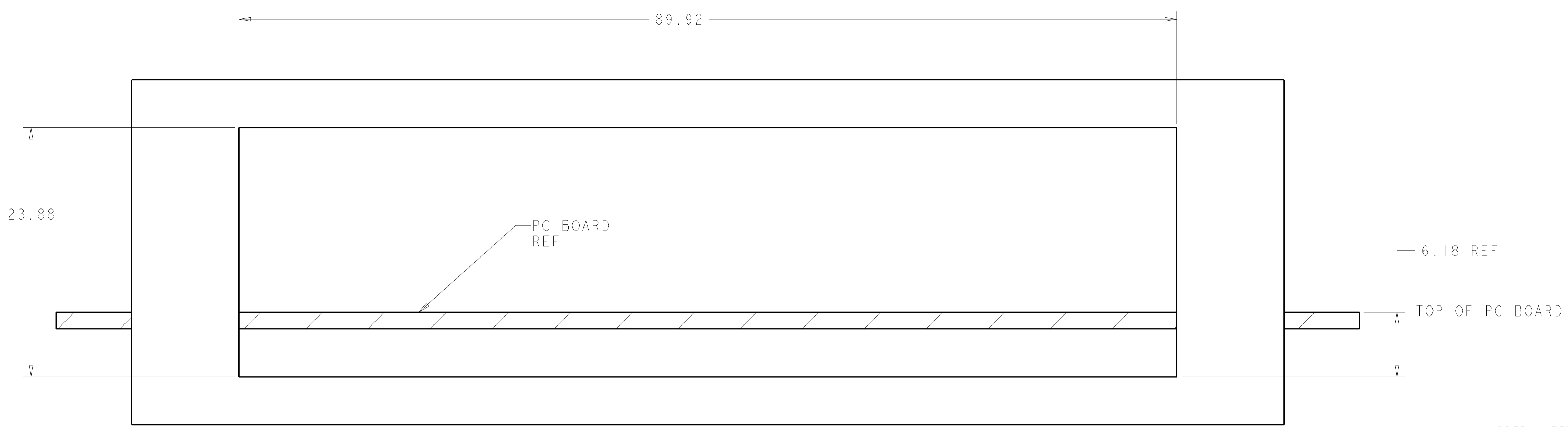
LED COLOR	DESCRIPTION	PART NUMBER
GREEN/YELLOW	WITH GROUND CLIP	6368035-4
GREEN/YELLOW	WITHOUT GROUND CLIP	6368035-3
GREEN	WITHOUT GROUND CLIP	6368035-1

THIS DRAWING IS A CONTROLLED DOCUMENT.

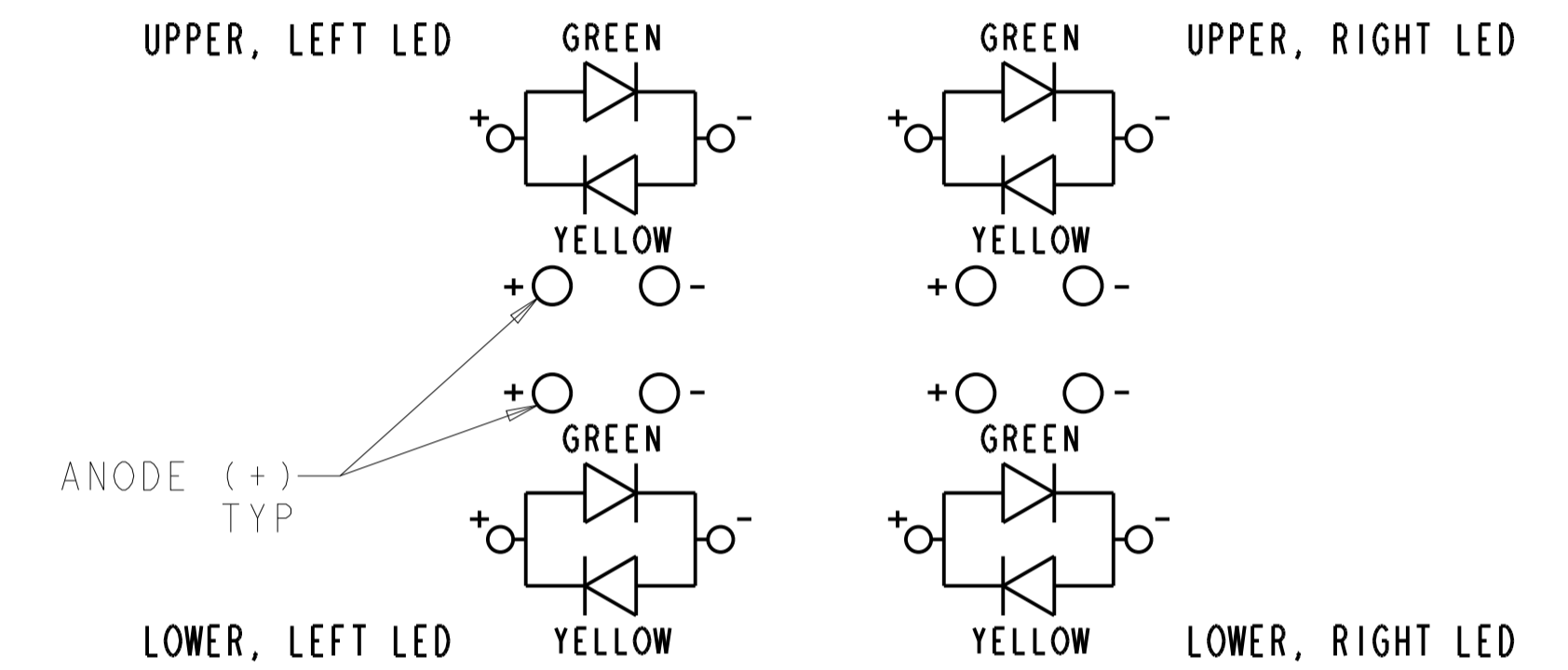
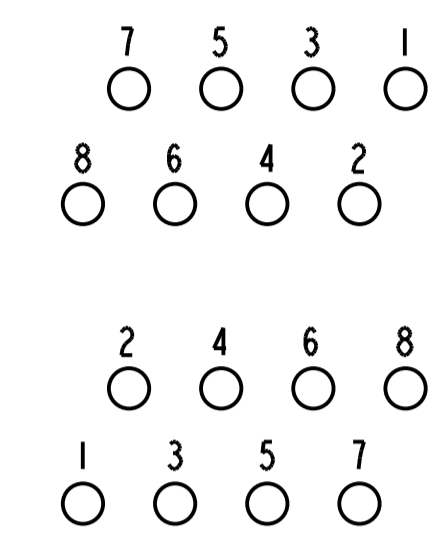
DIMENSIONS:	TOLERANCES UNLESS OTHERWISE SPECIFIED:	OWN: L. VARELA 29 JUL 2005	CHK: J. WESTMAN 29 JUL 2005	APVD: S. ELICKINGER 29 JUL 2005	NAME: STACKED MODULAR JACK ASSEMBLY 2 X 6 OFFSET, W/LEDS, 8 POSN, RJ45 SHIELDED PANEL GROUND, CAT 5
mm	0 PLC ±.13 1 PLC ±0.13 2 PLC ±.13 3 PLC ±.13 4 PLC ±.13 ANGLES ±.1	PRODUCT SPEC: 108-1854	APPLICATION SPEC: 114-2160	WEIGHT: -	SIZE: A1
MATERIAL:	FINISH:	CAGE CODE: 6368035	DRAWING NO: 6368035	CUSTOMER DRAWING	RESTRICTED TO: C

SCALE: 4:1 SHEET 1 OF 2 REV C

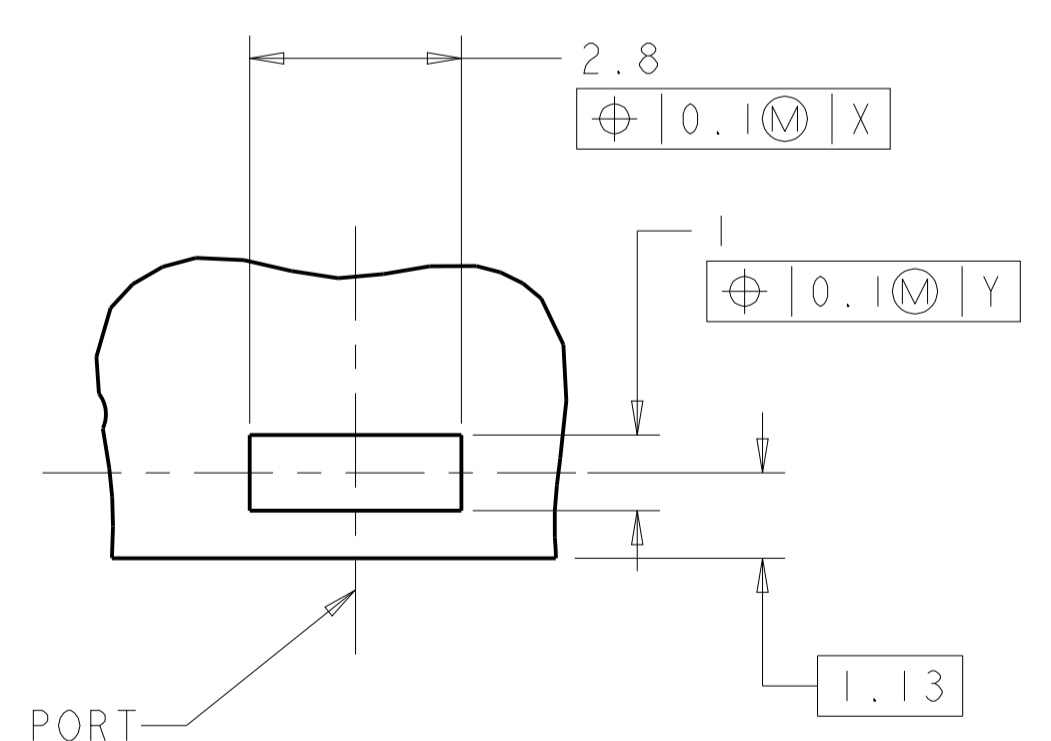
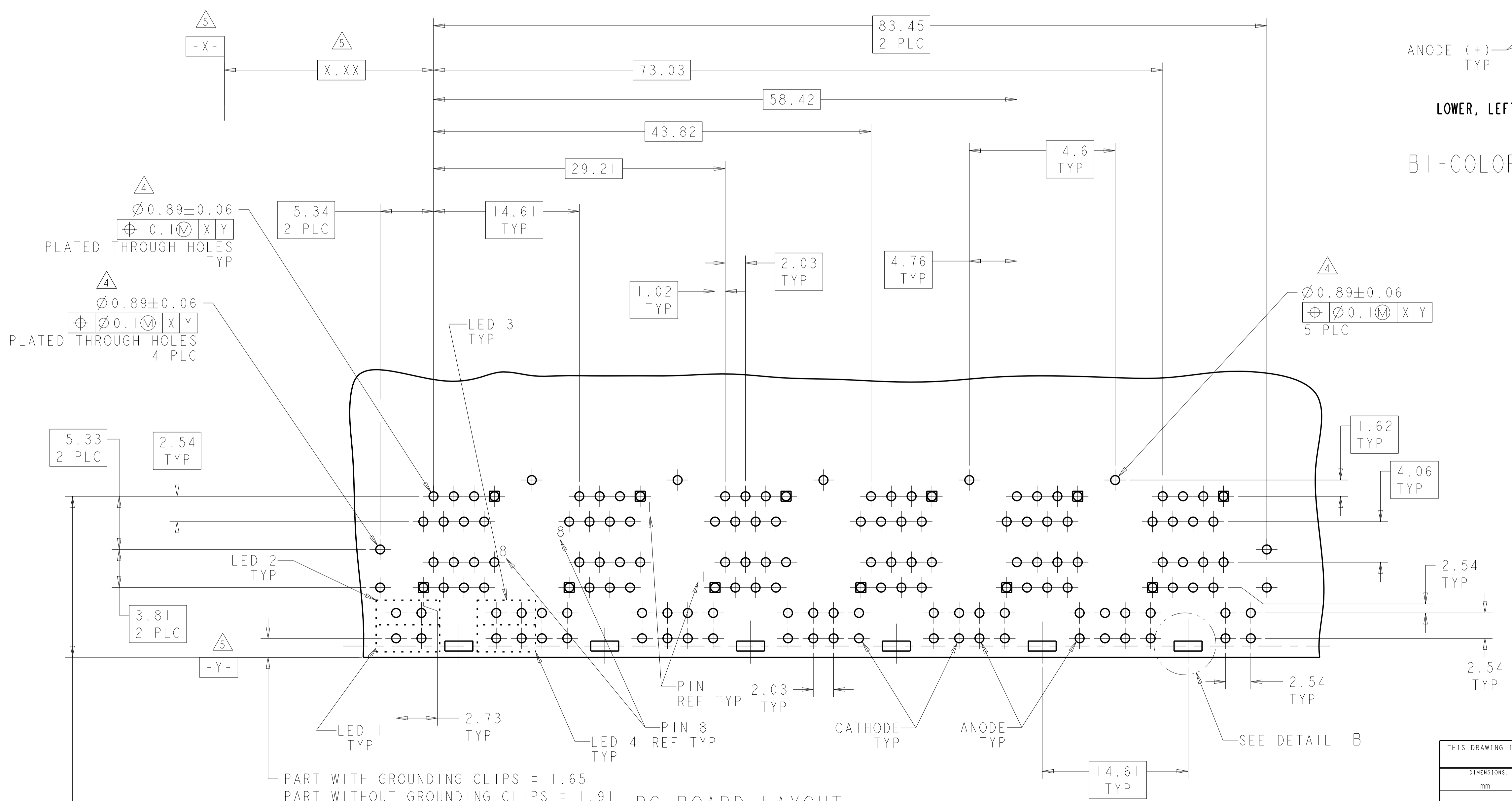
REVISIONS				
P.	LTN	DESCRIPTION	DATE	APP'D
-	-	SEE SHEET 1	-	-



RECOMMENDED PANEL CUT-OUT



BI-COLOR LED SCHEMATIC FOR 6368035-3 & -4



DETAIL B  
THESE PLATED PADS REQUIRED FOR 6368035-4 PRODUCTS WITH GROUNDING CLIPS  
SCALE 10:1  
6 PLACES

15.88 WITH GROUNDING CLIPS  
16.13 WITHOUT GROUNDING CLIPS

PC BOARD LAYOUT (COMPONENT SIDE)

THIS DRAWING IS A CONTROLLED DOCUMENT.		OWN: J. VARELA - 29 JUL 2005	TE Connectivity
DIMENSIONS: mm		CHK: J. WESTMAN - 29 JUL 2005	
TOLERANCES UNLESS OTHERWISE SPECIFIED:		APP'D: S. FLICKINGER - 29 JUL 2005	NAME: STACKED MODULAR JACK ASSEMBLY 2 X 6 OFFSET, W/LEDS, 8 POSN, RJ45 SHIELDED PANEL GROUND, CAT 5 SIZE: CAGE CODE DRAWING NO: A100779 WEIGHT: 114-2160 CUSTOMER DRAWING: C=6368035
0 PLC ±0.13		PRODUCT SPEC: 108-1854	
1 PLC ±0.13		APPLICATION SPEC: 114-2160	
2 PLC ±0.13		RESTRICTED TO: SHEET 2 OF 2 REV C	
3 PLC ±0.13		SCALE: 4:1	
4 PLC ±0.13			
5 PLC ±0.13			
6 PLC ±0.13			
7 PLC ±0.13			
8 PLC ±0.13			

单击下面可查看定价，库存，交付和生命周期等信息

[>>TE Connectivity\(泰科\)](#)