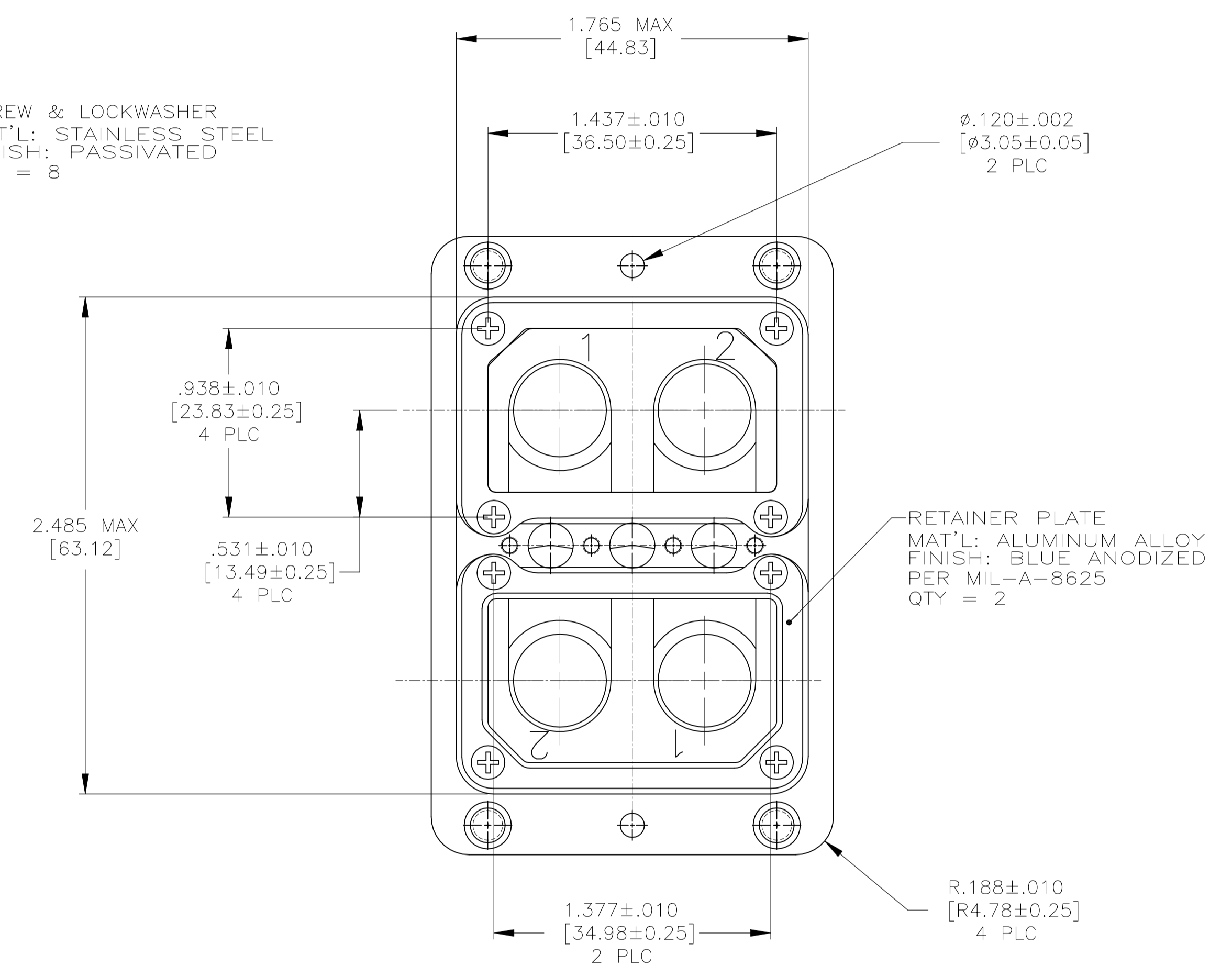
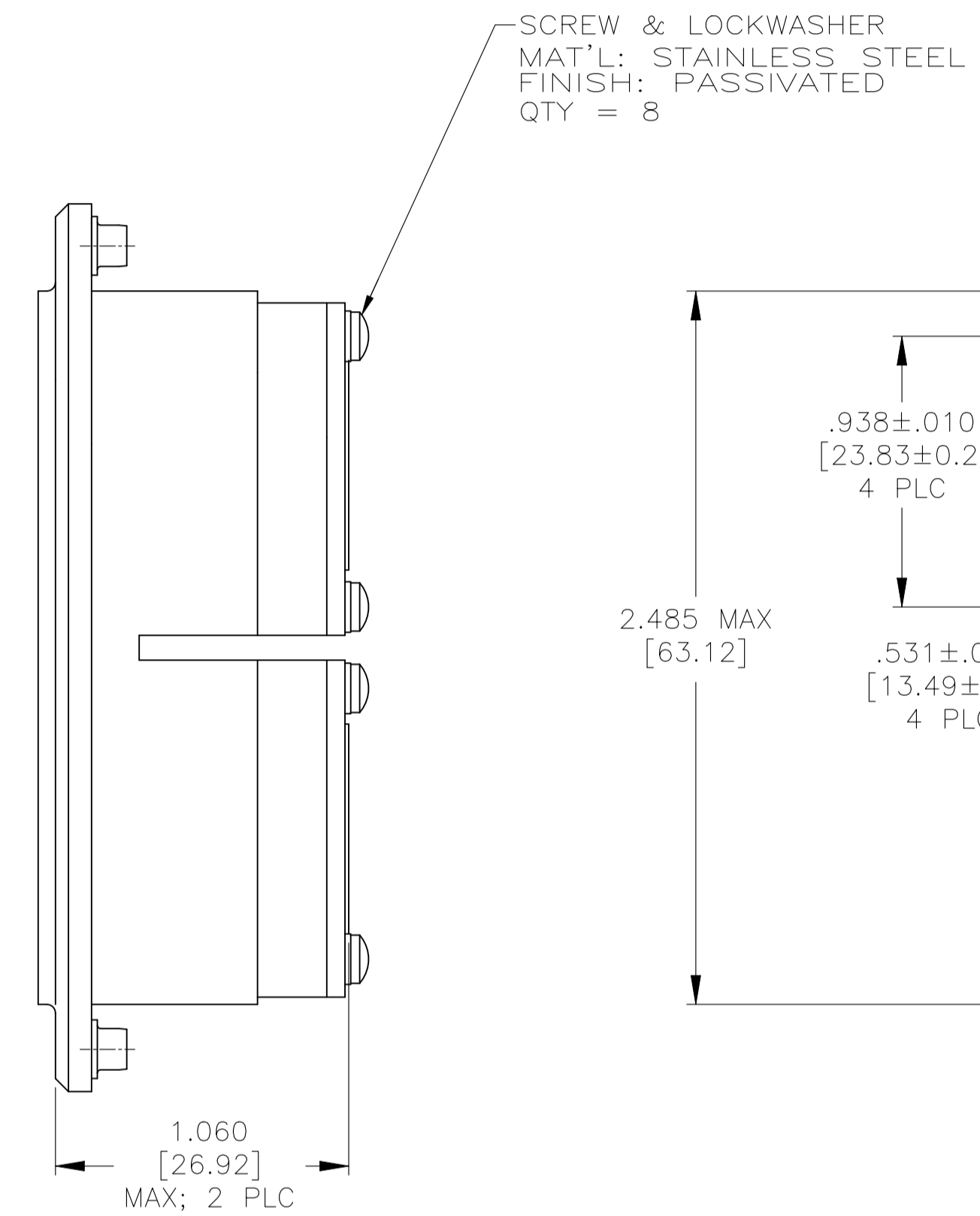
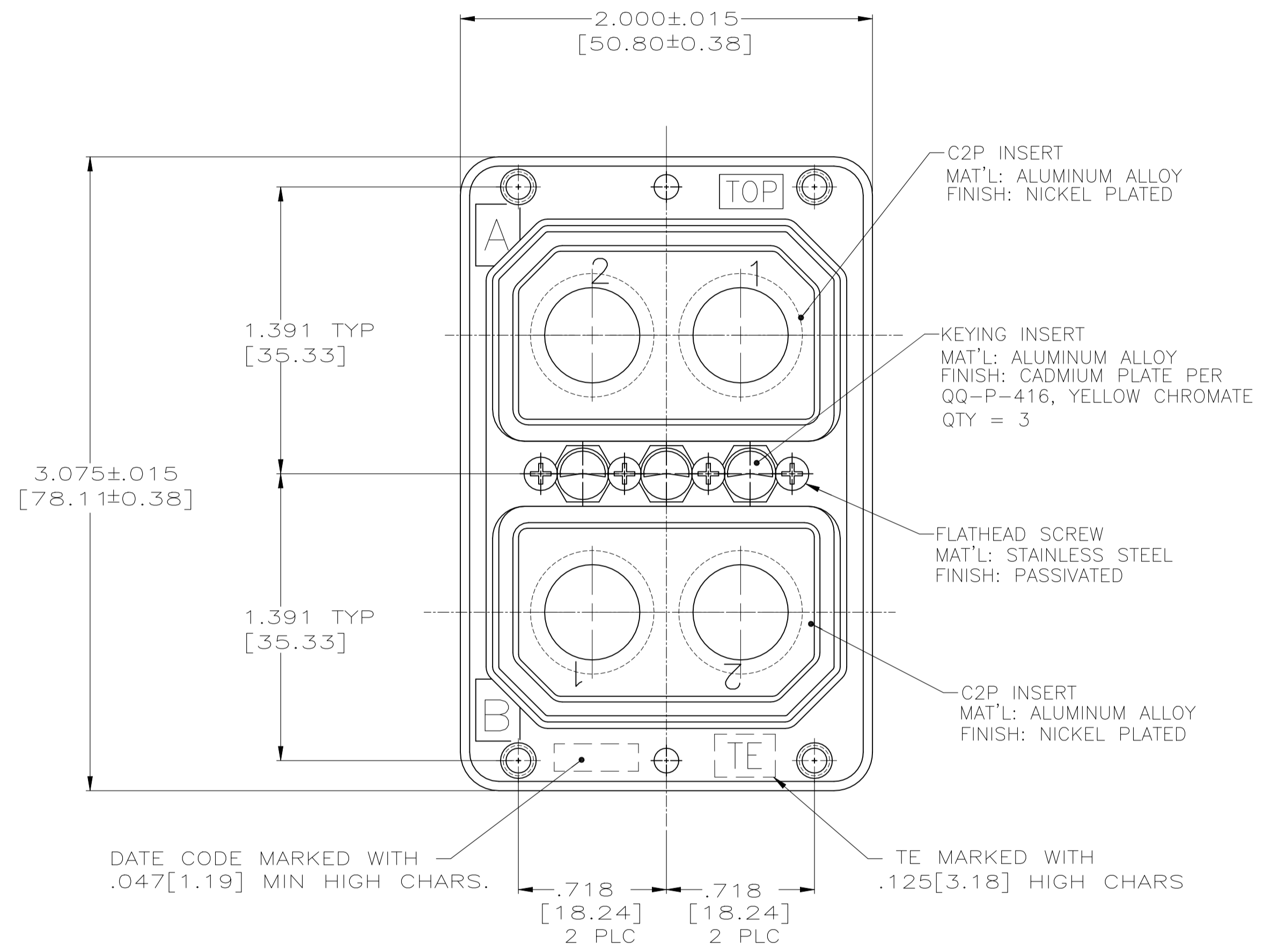
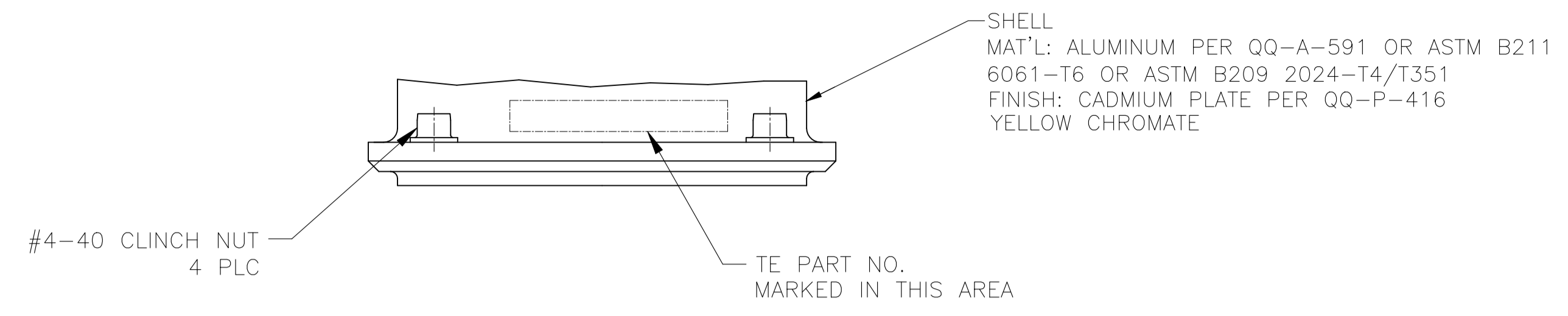


REVISIONS					
P	LTR	DESCRIPTION	DATE	DN	APVD
E		REV PER ECO 20-017166	12-7-20	CT	RL



- CONNECTOR DIMENSIONS ARE PER ARINC 404 SPECIFICATION.
- KEYING SHOWN IN POSITION "01" FOR ILLUSTRATION ONLY. CONNECTORS SHIPPED WITH KEYING INSTALLED IN POSITION PER TABLE. FOR POSITION "00" KEYING HARDWARE SHIPPED UNASSEMBLED.

"02"	1757676-2
"01"	1757676-1
KEYING POSITION	PART NO.

THIS DRAWING IS A CONTROLLED DOCUMENT.

DIMENSIONS:	TOLERANCES UNLESS OTHERWISE SPECIFIED:	DIN	1-27-05
INCHES	0 PLC ± -	C.C.THOMAS	1-27-05
	1 PLC ± -	CHK	1-27-05
	2 PLC ± -	LARRY OH	
	3 PLC ± .005(0.13)	APVD	1-27-05
	4 PLC ± -	LARRY OH	
	ANGLES ± -	NAME	
		PRODUCT SPEC	
MATERIAL	FINISH	APPLICATION SPEC	
		SIZE	CAGE CODE
		WEIGHT	DRAWING NO
		0.000000	A1 00779
		C=1757676	RESTRICTED TO
		CUSTOMER DRAWING	SCALE 2:1 SHEET 1 OF 1 REV E

STE TE Connectivity

DUAL RECEPTACLE, ARINC 404, R2RC2PC2P-01XX (201)

单击下面可查看定价，库存，交付和生命周期等信息

[>>TE Connectivity\(泰科\)](#)