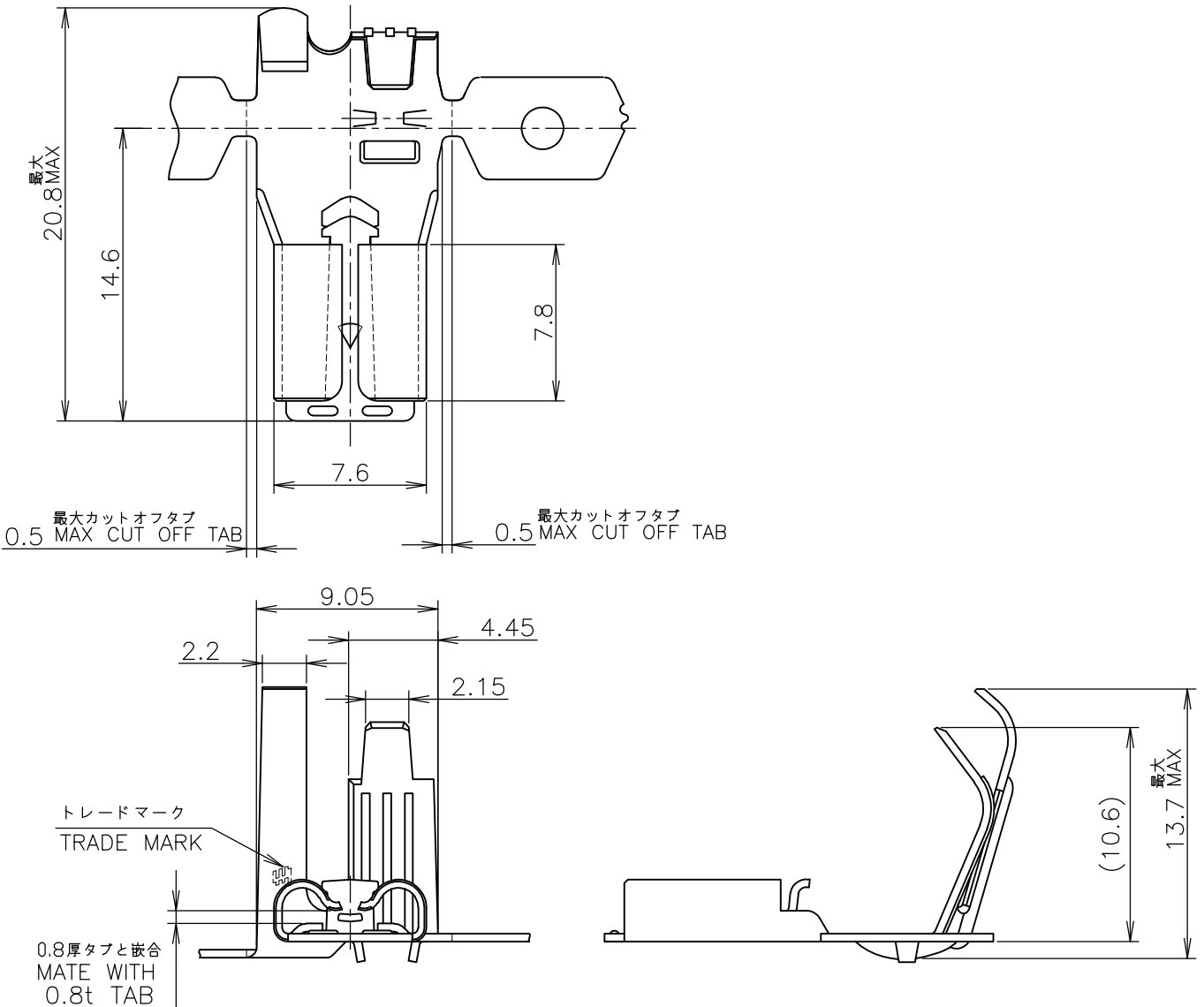


LOC J	DIST /	REVISIONS 変更			DATE	DWN	APVD
		P	LTR	DESCRIPTION			
			E	REDRAWN AND REVISED ECR-10-023816	26NOV2010	T.T	T.M

-1; AS SHOWN



	PRE TIN BRASS 0.4t 錫めっき付 黄銅 0.4t	175178-1
LOOSE PIECE NO. ばら状端子型番	MATERIAL 材料	P/N 型番

WIRE RANGE 抱合電線断面積	AWG #12-#10 3.08~5.37 mm <sup>2</sup>	INSULATION DIA 被覆外径	2.8~4.9 mm $\phi$
-----------------------	--	------------------------	-------------------

THIS DRAWING IS UNPUBLISHED. RELEASED FOR PUBLICATION OCT, 2001. ALL INTERNATIONAL RIGHTS RESERVED.

COPYRIGHT 2001 BY TYCO ELECTRONICS CORPORATION.

DIMENSIONS: 単位: 耗 mm	DWN T.YAMAMOTO	15OCT2001	MATERIAL 材料	表参照 SEE TABLE	FINISH 仕上		
	CHK A.OISHI	15OCT2001	Tyco Electronics Corporation Kawasaki, Japan				
TOLERANCES UNLESS OTHERWISE SPECIFIED: 一般公差	APVD Y.KASHIWA	15OCT2001					NAME 名称
0 PLC $\pm$	PRODUCT SPEC 製品規格	108-5254					
1 PLC $\pm$ 10 $\geq$ : $\pm 0.2$	APPLICATION SPEC 取付適用規格	114-5122					
2 PLC $\pm$ 30 $\geq$ > 10: $\pm 0.25$	WEIGHT	A4 00779 C-175178					
3 PLC $\pm$ 100 $\geq$ > 30: $\pm 0.3$		SIZE	CAGE CODE	DRAWING NO 番号	RESTRICTED TO		
4 PLC $\pm$		A4	00779	C-175178			
ANGLES $\pm 3^\circ$		CUSTOMER DRAWING				SCALE 尺度	NTS
						SHEET	1 OF 1
						REV	E

单击下面可查看定价，库存，交付和生命周期等信息

[>>TE Connectivity\(泰科\)](#)