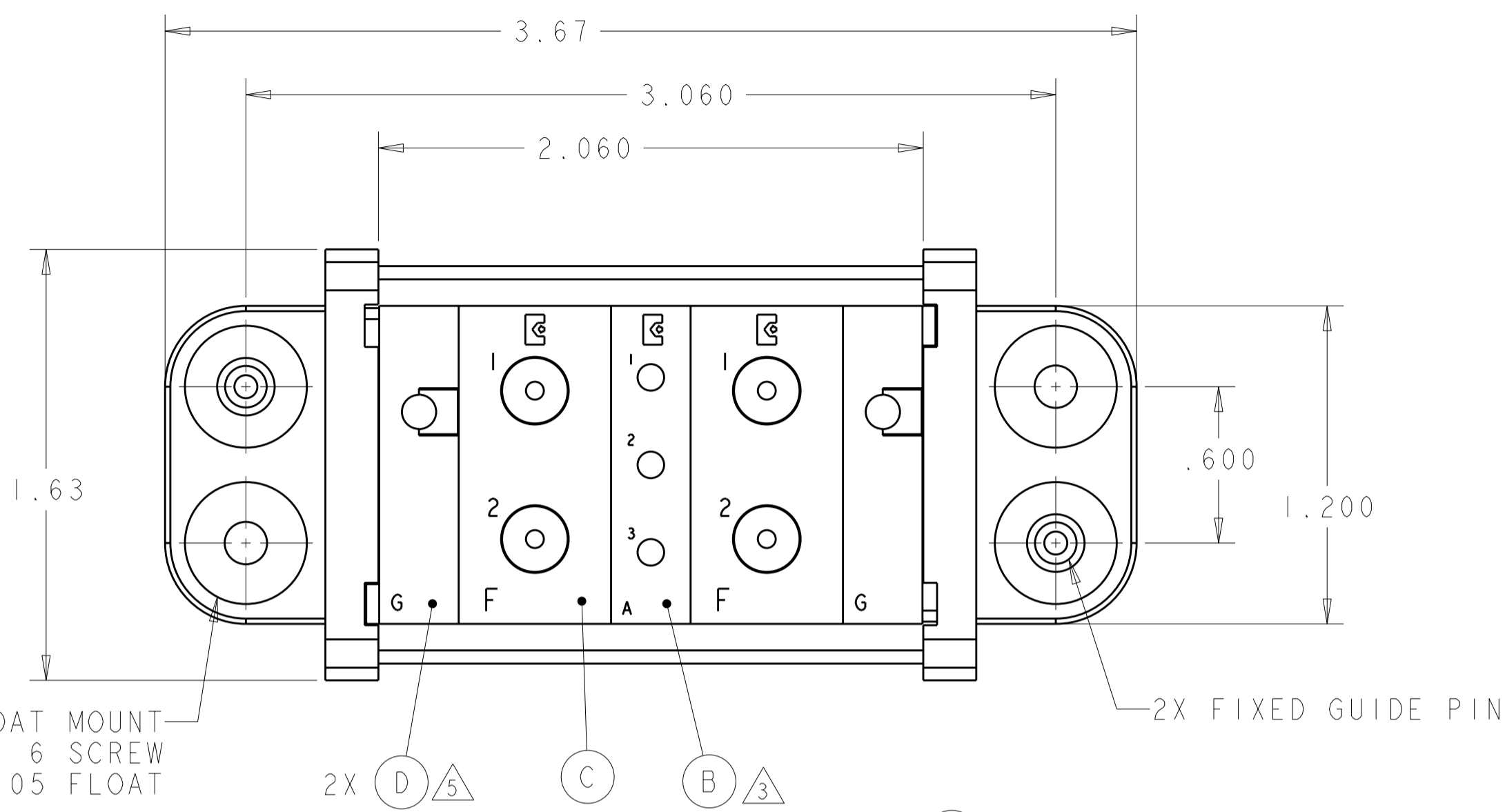
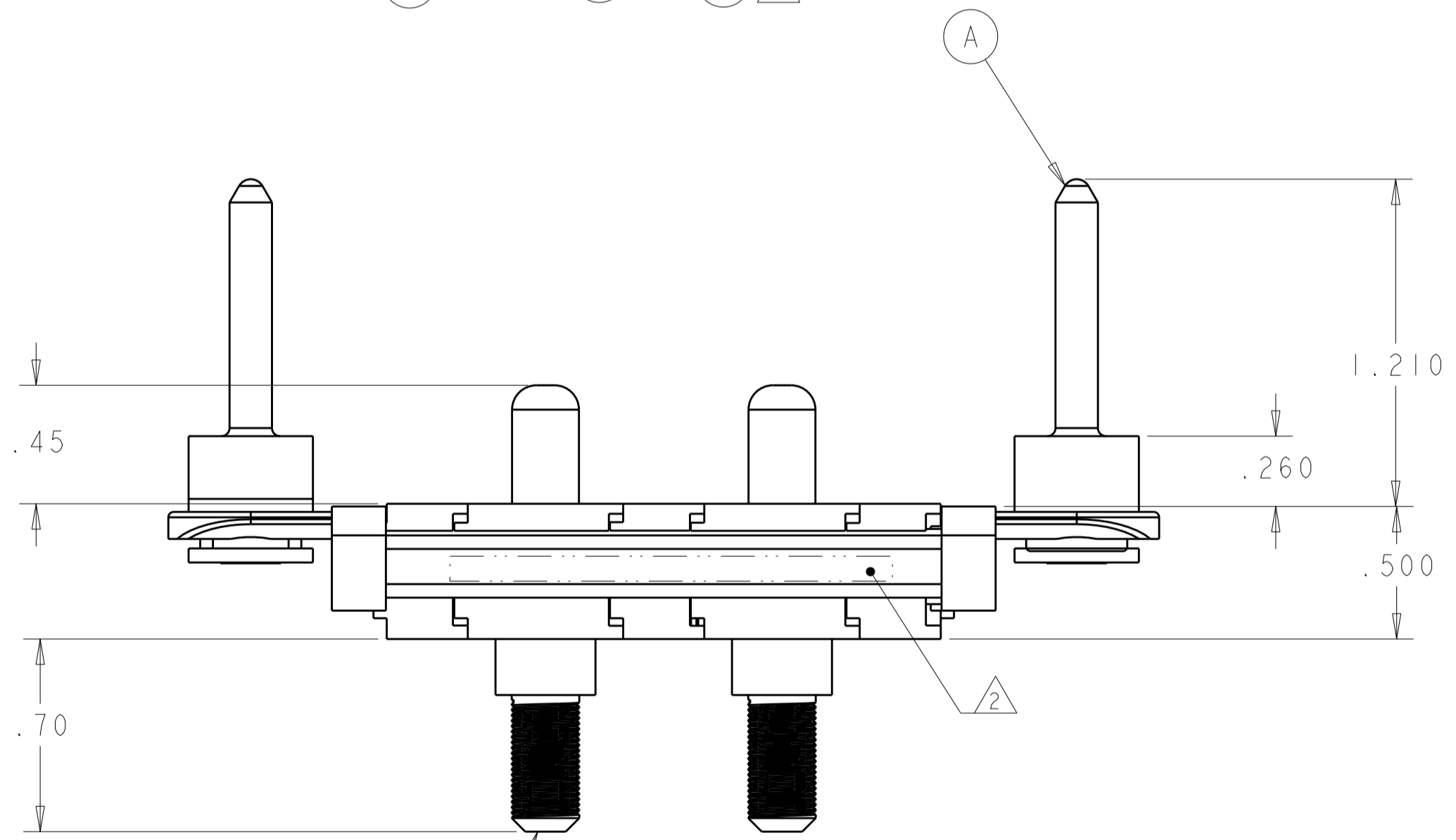


| LOC | DIST | REVISIONS   |          |           |       |
|-----|------|-------------|----------|-----------|-------|
| P   | LTR  | DESCRIPTION | DATE     | DWN       | APVD  |
| GP  | 00   | A           | RELEASED | 14AUG2008 | RG DO |



1. PART NUMBER CHANGES AND/OR DESIGN CHANGES AFFECTING ITEM INTERCHANGEABILITY REQUIRE TYCO ELECTRONICS APPROVAL AND AUTHORIZATION BY REVISION TO THIS DRAWING.
2. ITEMS PROVIDED TO THIS SPECIFICATION TO BE PERMANENTLY IDENTIFIED PER THE FOLLOWING IDENTIFIER:  
 YEAR 11 WEEK 11  
 TYCO ELECTRONICS P/N DATE CODE (e.g. 0225)  
 XXXXXXXX-X XXXX
3. MODULES ARE FOR CRIMP STYLE REMOVABLE CONTACTS (ITEM E). THEY ARE PACKAGED SEPARATELY WITH AN INSERTION/ REMOVAL TOOL AND WILL BE SHIPPED LOOSE WITH THE ASSEMBLY.
4. MOUNTING FLANGE BUSHING ACCEPTS 6/32 SCREW (Ø .156 CLEARANCE HOLE, FLOAT MOUNT) OR 8/32 SCREW (Ø .173 CLEARANCE HOLE, FIXED MOUNT) USER SUPPLIED.
5. MODULES NOTED ARE BLANK.



|    |           |                                 |      |
|----|-----------|---------------------------------|------|
| 3  | 1766193-1 | PIN CONTACT, SIZE No. 12, CRIMP | E    |
| 2  | 1648509-1 | MODULE "G"                      | D    |
| 2  | 6648487-1 | MODULE "F"                      | C    |
| 1  | 1648461-1 | MODULE "A"                      | B    |
| 2  | 6648251-1 | END CAP, GUIDE PIN, FLOAT       | A    |
| -1 | PART NO.  | DESCRIPTION                     | ITEM |

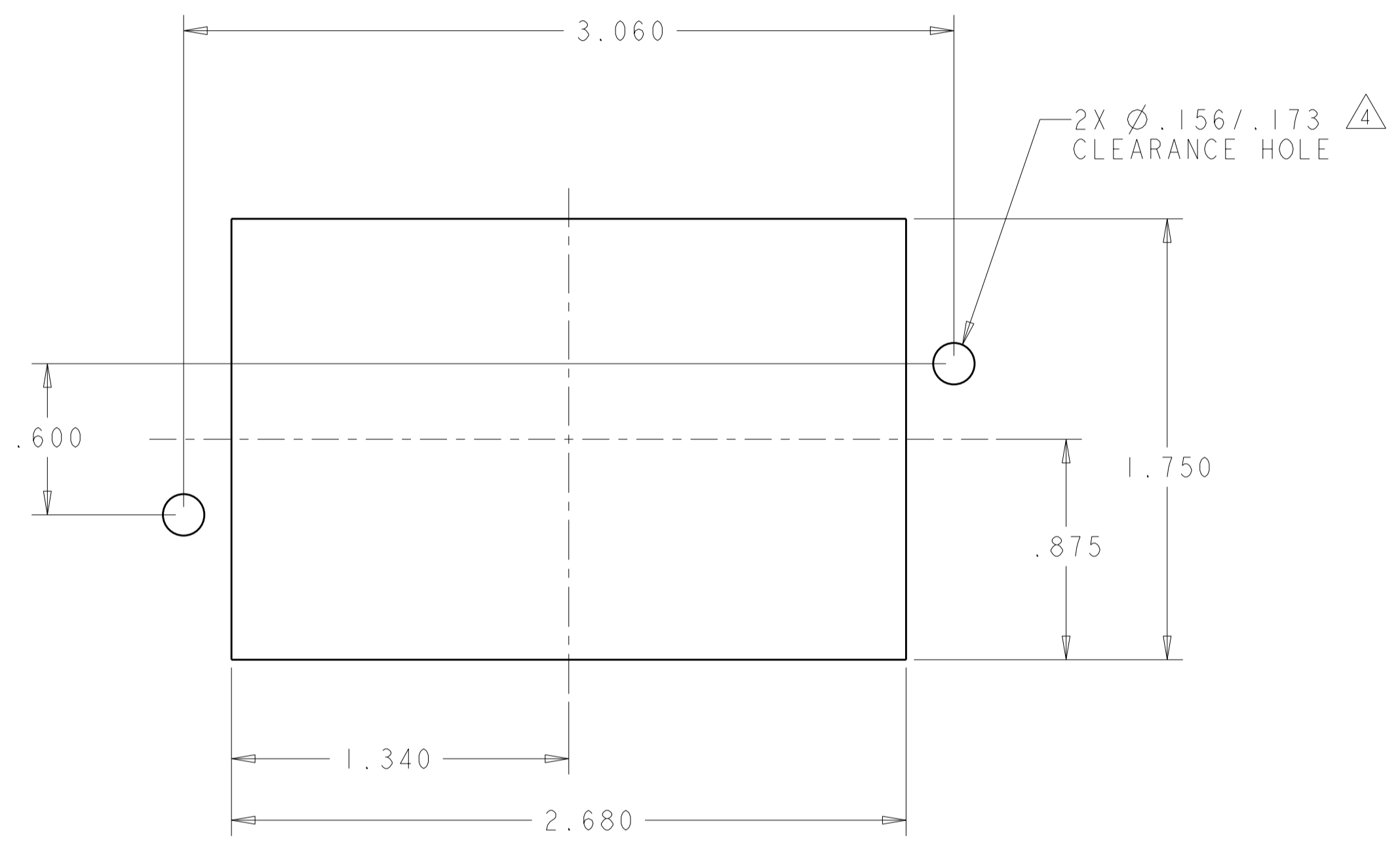
4X 1/4-20 UNC THREADS

|   |   |  |   |
|---|---|--|---|
| THIS DRAWING IS A CONTROLLED DOCUMENT FOR TYCO ELECTRONICS CORPORATION. IT IS SUBJECT TO CHANGE AND THE CONTROLLING ENGINEERING ORGANIZATION SHOULD BE CONTACTED FOR THE LATEST REVISION. |   | DWN R. GRZYBOWSKI 11 JUN 2008<br>CHK D. ORRIS 11 JUN 2008<br>APVD S. FLICKINGER 11 JUN 2008        | Tyco Electronics<br>Harrisburg, PA 17105-3608                           |
| DIMENSIONS: INCHES<br>  | TOLERANCES UNLESS OTHERWISE SPECIFIED:<br>0 PLC ±<br>1 PLC ±<br>2 PLC ±.02<br>3 PLC ±.010<br>4 PLC ±<br>ANGLES ±5<br>FINISH | NAME: PIN CONNECTOR DOMINO W/ PANEL CUT-OUT<br>PRODUCT SPEC: -<br>APPLICATION SPEC: -<br>WEIGHT: - | SIZE: A2<br>CAGE CODE: 00779<br>DRAWING NO: 6643944<br>RESTRICTED TO: - |
| MATERIAL: -   |   | CUSTOMER DRAWING   |   |
|   |   | SCALE: 2:1   | SHEET 1 OF 2 REV A  |

**ELCON DOMINO**

THIS DRAWING IS UNPUBLISHED. RELEASED FOR PUBLICATION 20  
 © COPYRIGHT 20 BY TYCO ELECTRONICS CORPORATION. ALL RIGHTS RESERVED.

| LOC | DIST | REVISIONS   |             |     |      |
|-----|------|-------------|-------------|-----|------|
| P   | LTR  | DESCRIPTION | DATE        | DWN | APVD |
| GP  | 00   | -           | SEE SHEET 1 | -   | -    |
|     |      |             |             |     |      |
|     |      |             |             |     |      |



PIN PANEL MOUNT CUT-OUT

|  |  |   |  |
|--|--|---|--|
| <small>THIS DRAWING IS A CONTROLLED DOCUMENT FOR TYCO ELECTRONICS CORPORATION. IT IS SUBJECT TO CHANGE AND THE CONTROLLING ENGINEERING ORGANIZATION SHOULD BE CONTACTED FOR THE LATEST REVISION.</small> |  | DWN<br><b>R. GRZYBOWSKI</b> 11 JUN 2008<br>CHK<br><b>D. ORRIS</b> 11 JUN 2008<br>APVD<br><b>S. FLICKINGER</b> 11 JUN 2008 | <b>Tyco Electronics</b><br>Tyco Electronics<br>Harrisburg, PA 17105-3608   |
| DIMENSIONS:<br>INCHES<br>  | TOLERANCES UNLESS OTHERWISE SPECIFIED:<br>0 PLC ±-<br>1 PLC ±-<br>2 PLC ±.02<br>3 PLC ±.010<br>4 PLC ±-<br>ANGLES ±5<br>FINISH | PRODUCT SPEC<br>-<br>APPLICATION SPEC<br>-<br>WEIGHT<br>-<br>CUSTOMER DRAWING   | NAME<br><b>PIN CONNECTOR<br/>         DOMINO<br/>         W/ PANEL CUT-OUT</b><br>SIZE<br><b>A200779</b><br>CAGE CODE<br><b>C-6643944</b><br>DRAWING NO.<br><b>6643944</b><br>RESTRICTED TO<br>- |
| MATERIAL<br>-  |  | SCALE 2:1 SHEET 2 OF 2 REV A  |  |

单击下面可查看定价，库存，交付和生命周期等信息

[>>TE Connectivity\(泰科\)](#)