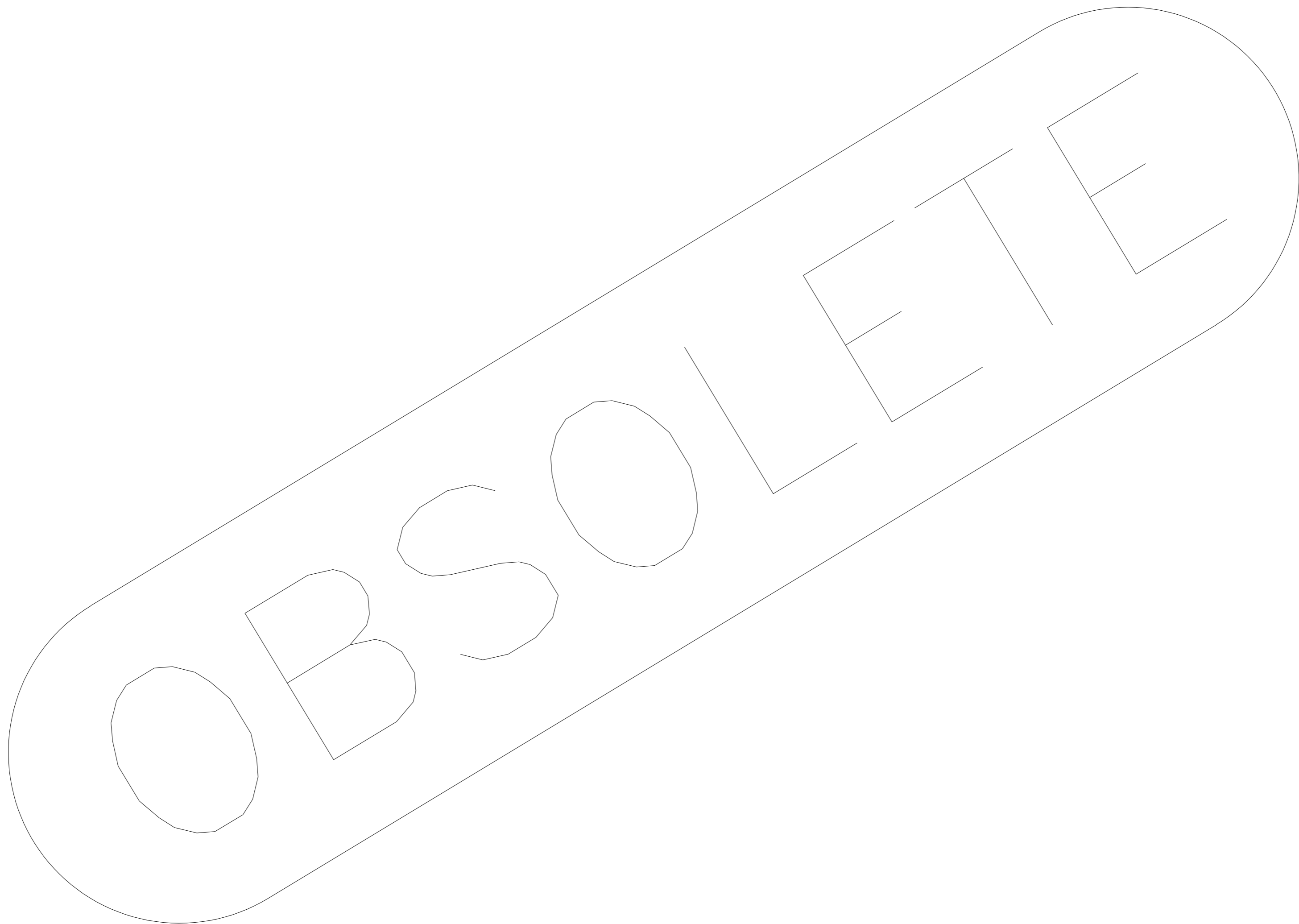




THIS DRAWING IS UNPUBLISHED. RELEASED FOR PUBLICATION
 © COPYRIGHT - By - ALL RIGHTS RESERVED.

REVISIONS				
P	LTR	DESCRIPTION	DATE	APVD
-	-	REVISED PER ECR-15-018167	14JAN16	I.T W.H



THIS DRAWING IS A CONTROLLED DOCUMENT.		DWN	10-23-90	 TE Connectivity	
DIMENSIONS: INCHES		CHK	11-7-90		
		APVD	11-7-90		
TOLERANCES UNLESS OTHERWISE SPECIFIED: 0 PLC ± - 1 PLC ± - 2 PLC ± 0.13[.005] 3 PLC ± - 4 PLC ± - ANGLES ± -		NAME		-	
MATERIAL: GLASS FILLED		PRODUCT SPEC		-	
FINISH: -		APPLICATION SPEC		-	
		WEIGHT	-	SIZE	A2
		CUSTOMER DRAWING		CAGE CODE	00779
				DRAWING NO	C- -
				RESTRICTED TO	-
		SCALE	8:1	SHEET	1 of 1
				REV	-

单击下面可查看定价，库存，交付和生命周期等信息

[>>TE Connectivity\(泰科\)](#)