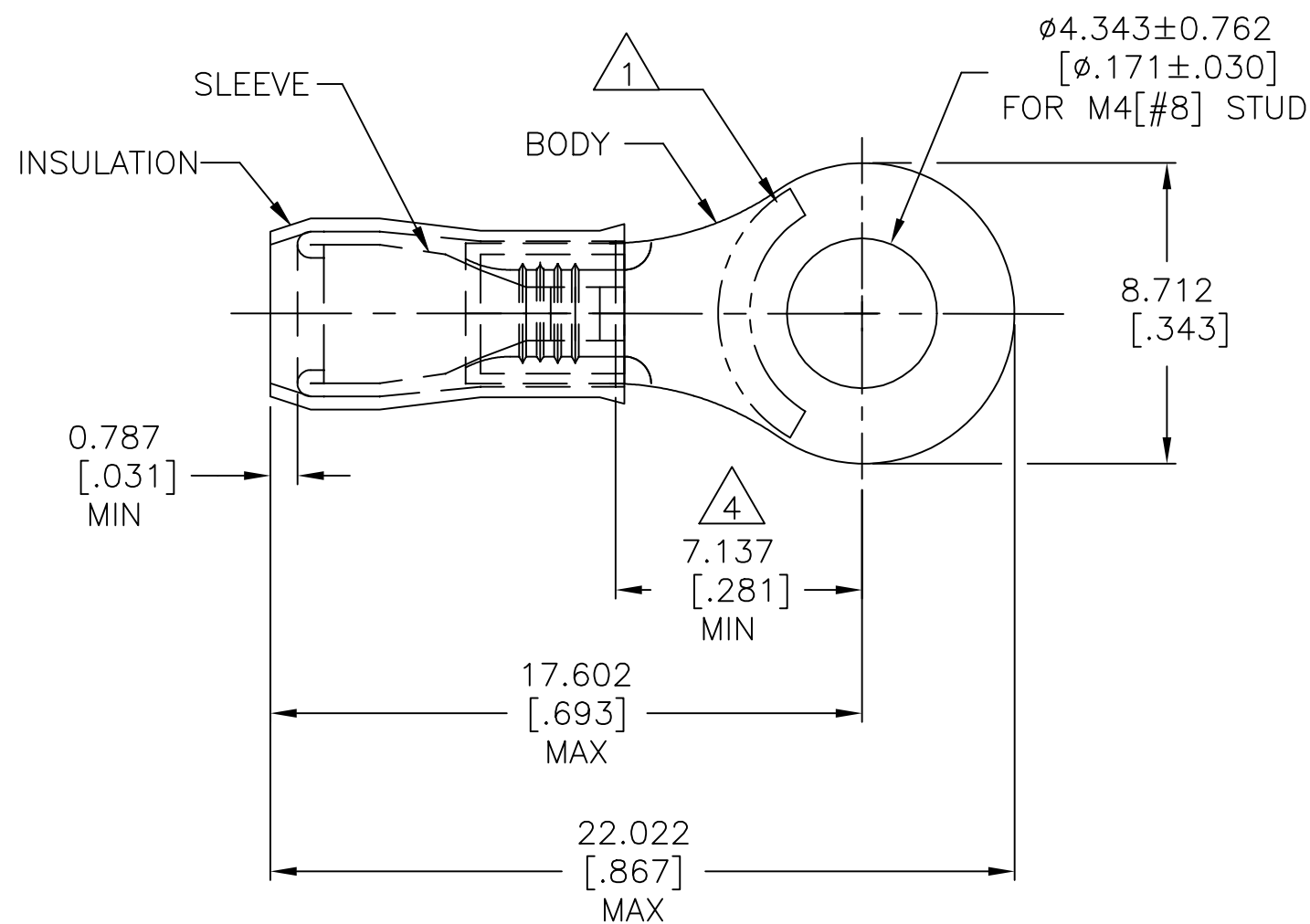


P	LTR	DESCRIPTION	DATE	DWN	APVD
G		REV PER ECR 09-025674	30NOV09	JR	TM
H		REVISED PER ECO-17-013200	07MAY2018	RS	DR

**AMP**  
WIRE RANGE

14-12 AWG  
SOLID OR STRANDED



- 1 STAMP AMP 14-12, LOCATION AS SHOWN
- 2 WIRE INSULATION DIA RANGE IS  $\phi 2.032 - \phi 3.175 [\phi .080 - \phi .125]$
- 3 BODY MATERIAL THK IS  $0.762 \pm 0.051 [.030 \pm .002]$
- 4 APPLIES FROM CENTER OF STUD HOLE TO EDGE OF METAL WIRE BARREL
- 5 MATERIAL:  
BODY & SLEEVE - COPPER PER ASTM B-152  
INSULATION: NYLON
- 6 FINISH:  
BODY & SLEEVE - TIN PLATE PER ASTM B-545  
INSULATION: COLOR - WHITE
- 7 MAX RECOMMENDED OPERATING TEMP  $105^{\circ}\text{C} [221^{\circ}\text{F}]$
- 8 VOLTAGE RATING: 300 V MAX
- 9 WIRE CROSS SECTIONAL AREA RANGE:  
 $1.65 - 3.45 \text{mm}^2 [ 3,260 - 6,800 ] \text{ CMA}$

1000	LOOSE PIECE	152873
QTY	PACKAGING TYPE	PART NO

THIS DRAWING IS A CONTROLLED DOCUMENT.		DWN jr_ruth 23AUG07	<b>STE</b> TE Connectivity Ltd.	
DIMENSIONS: mm [INCHES]		CHK T MICHIELUTTI 23AUG07		
TOLERANCES UNLESS OTHERWISE SPECIFIED:		APVD T MICHIELUTTI 23AUG07	NAME RING TONGUE, PIDG, WIRE SIZE: 14-12 AWG	
0 PLC ± -		PRODUCT SPEC	SIZE	
1 PLC ± -		APPLICATION SPEC	CAGE CODE	
2 PLC ± -		114-2157	DRAWING NO	
3 PLC ± 0.127[.005]		WEIGHT	RESTRICTED TO	
4 PLC ± -		CUSTOMER DRAWING	A3 00779 C=152873	
4 PLC ANGLES ± 5°		SCALE 5:1	SHEET 1 OF 1	
MATERIAL		FINISH	REV H	
5		6		

单击下面可查看定价，库存，交付和生命周期等信息

[>>TE Connectivity\(泰科\)](#)