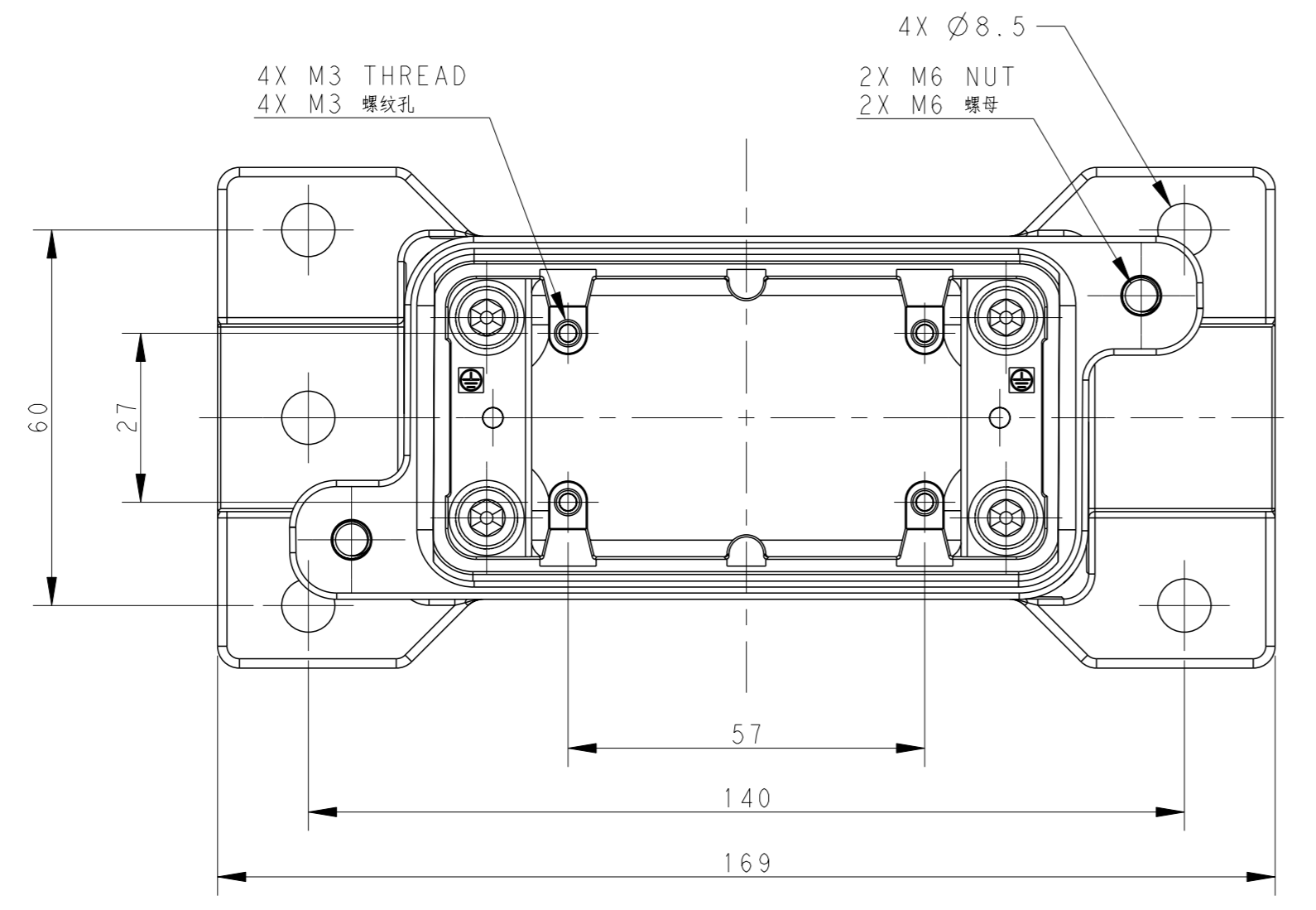
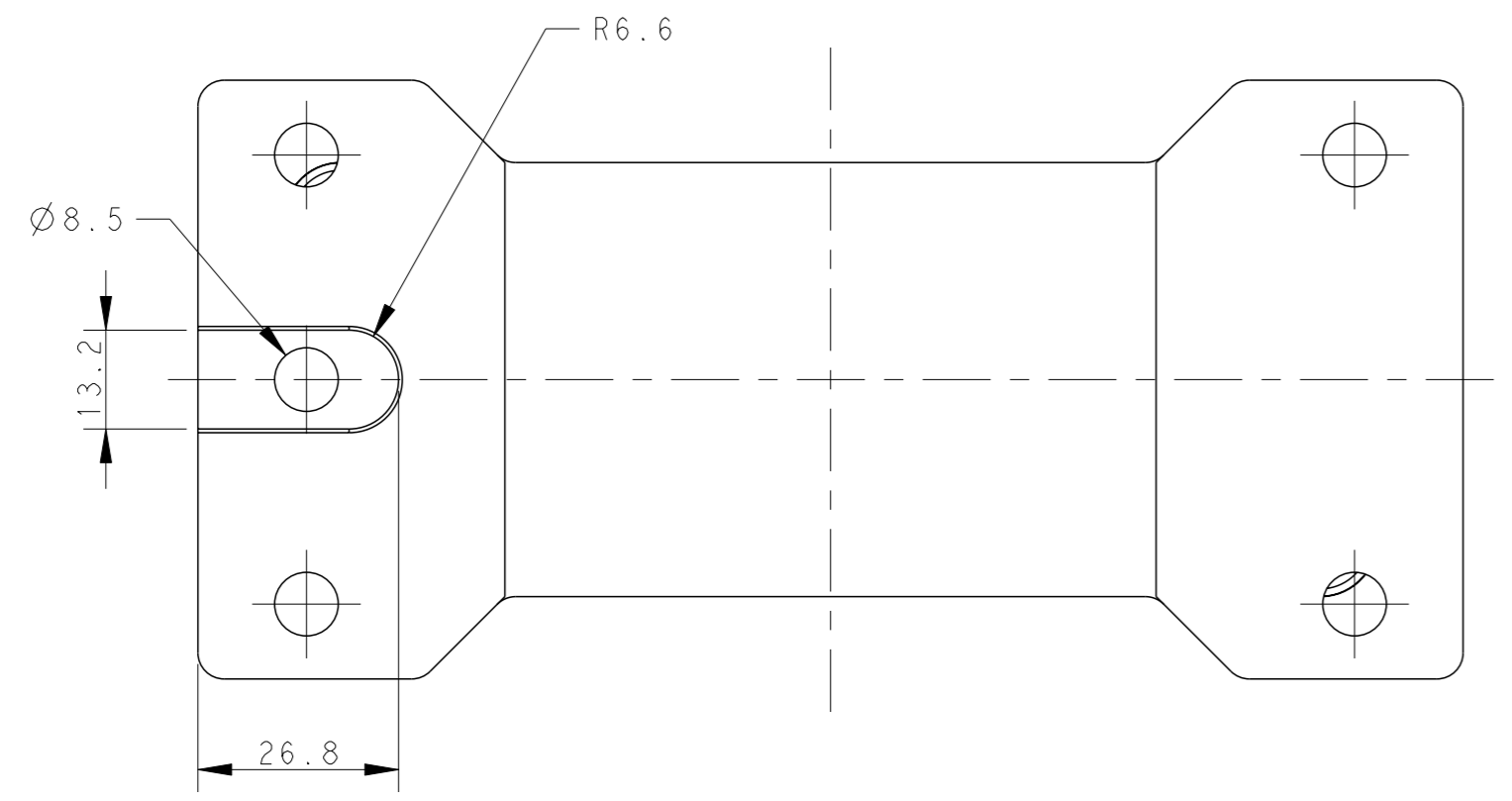
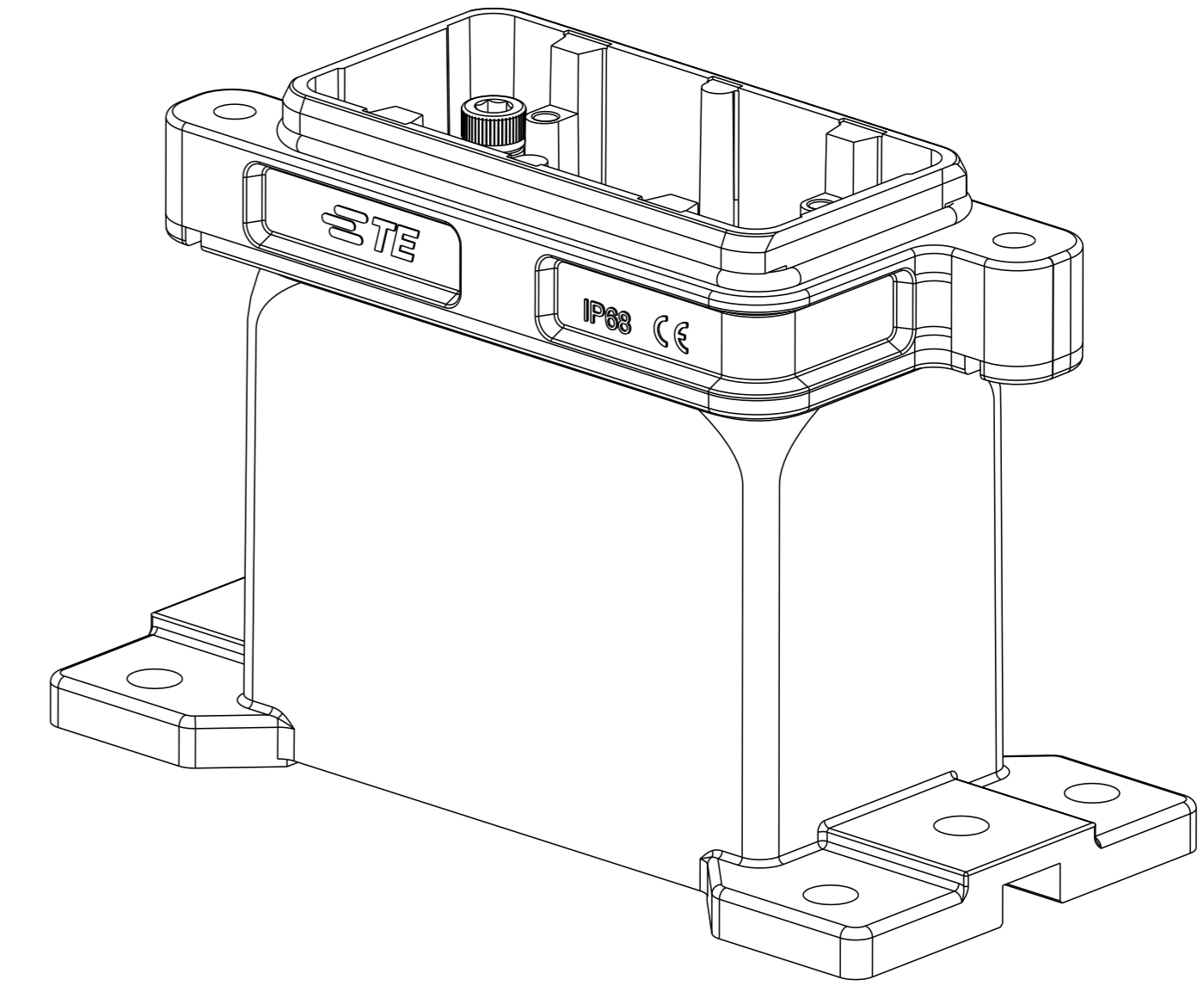
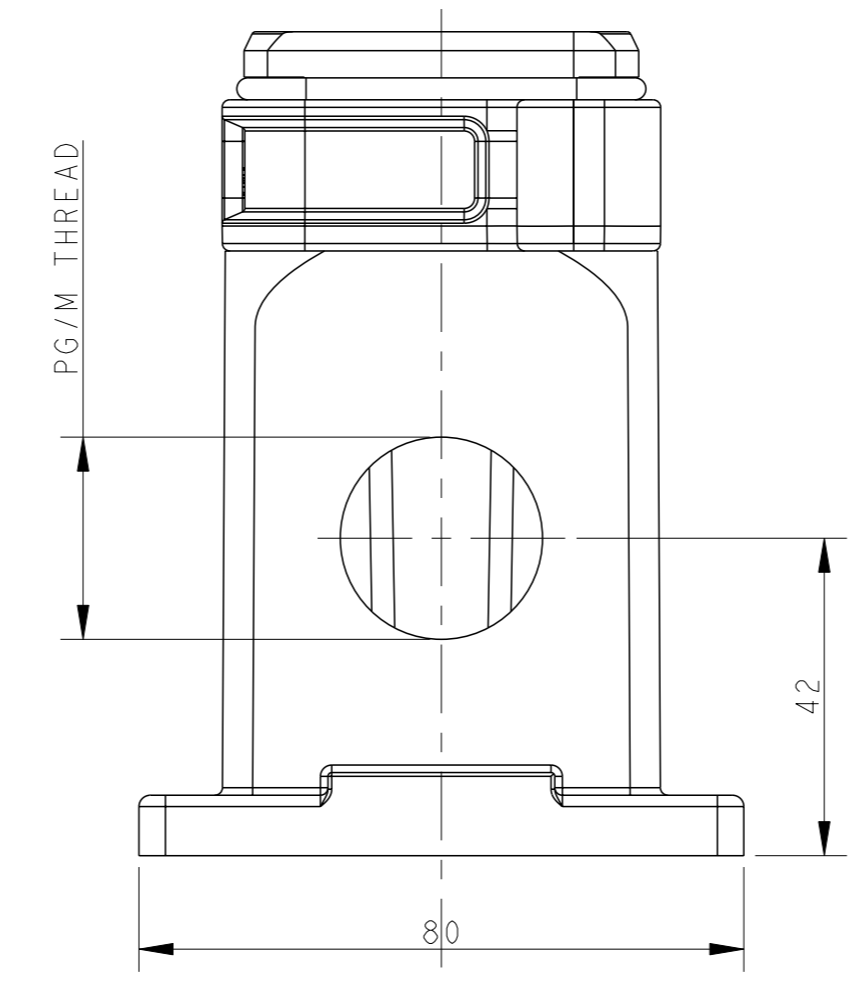
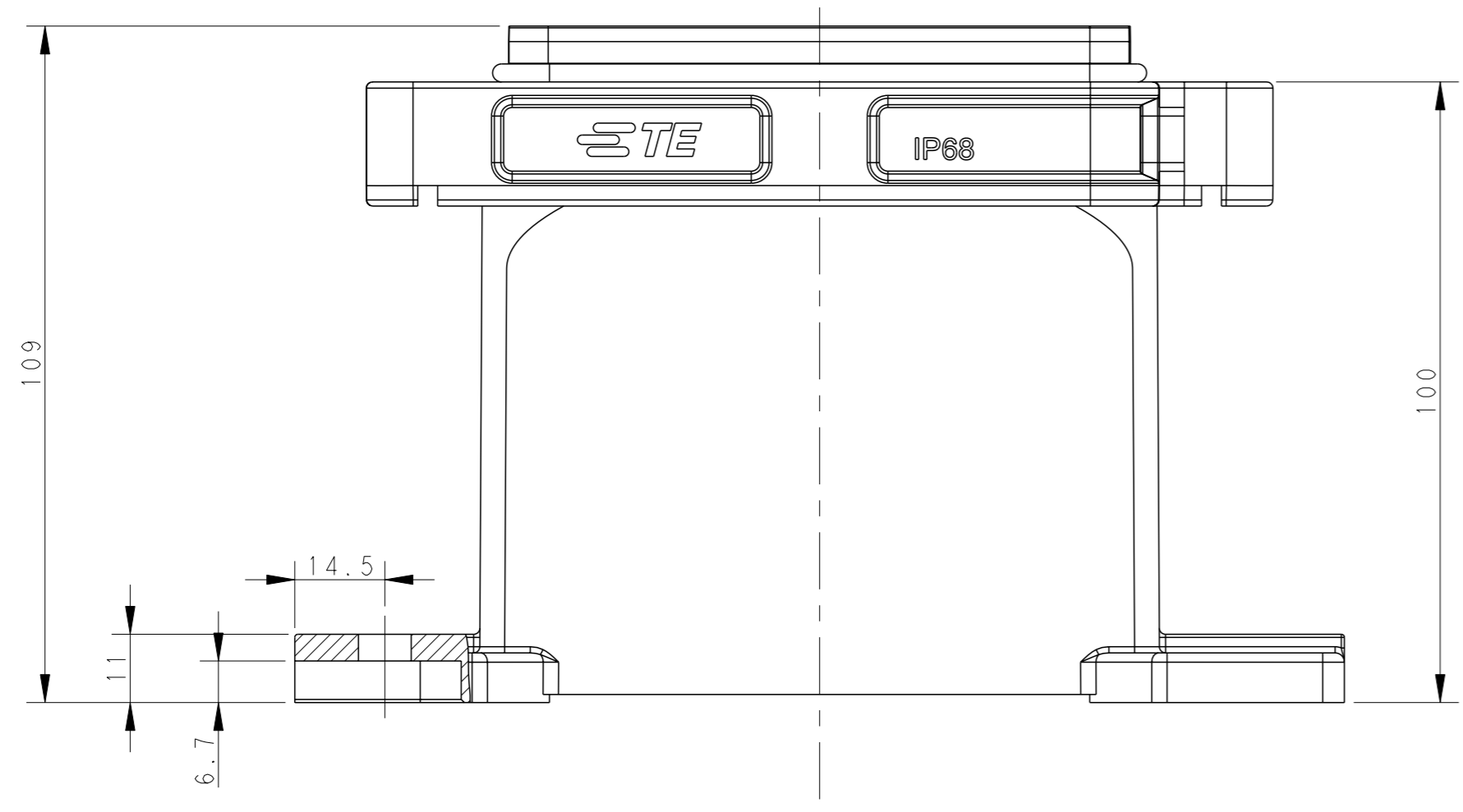


REVISIONS				
#	LY#	DESCRIPTION	DATE	OWN APVD
A		INITIAL RELEASE	19SEP2016	DW CW
B		ECR-20-016312	04JUN2021	BS CW



NOTES:
 1. TECHNICAL CHARACTERISTICS:
 HOUSING MATERIAL: DIE CAST ALUMINIUM ALLOY
 SURFACE TREATMENT: SEE TABLE
 DEGREE OF PROTECTION: IP68 (MATED)

注释:
 1. 技术参数:
 壳体材料: 铝合金
 表面处理: 见表格
 防护等级: IP68 (配合)



PART NUMBER	料号	PART DESCRIPTION	描述	PG/M THREAD	螺紋
T1950100132-009	H10BPR-SGRH-M32-EMC-C	H10BPR HOUSING, DIAGONAL LOCKING, SURFACE MOUNTED, SIDE ENTRY M32 POWDER COATED, BLACK / H10BPR 对角锁定表面下壳M32 黑色		M32	
T1950100129-009	H10BPR-SGRH-PG29-EMC-C	H10BPR HOUSING, DIAGONAL LOCKING, SURFACE MOUNTED, SIDE ENTRY PG29 POWDER COATED, BLACK / H10BPR 对角锁定表面下壳PG29 黑色		PG29	
T1950100125-009	H10BPR-SGRH-M25-EMC-C	H10BPR HOUSING, DIAGONAL LOCKING, SURFACE MOUNTED, SIDE ENTRY M25 POWDER COATED, BLACK / H10BPR 对角锁定表面下壳M25 黑色		M25	
T1950100121-009	H10BPR-SGRH-PG21-EMC-C	H10BPR HOUSING, DIAGONAL LOCKING, SURFACE MOUNTED, SIDE ENTRY PG21 POWDER COATED, BLACK / H10BPR 对角锁定表面下壳PG21 黑色		PG21	

THIS DRAWING IS A CONTROLLED DOCUMENT.		OWN: DAVID WANG 19SEP2016	TE Connectivity NAME: H10BPR-SGRH-PG/M-EMC-C
DIMENSIONS:		CHK: Chris.Wang 19SEP2016	
TOLERANCES UNLESS OTHERWISE SPECIFIED:		APVD: Xiang Xu 19SEP2016	
mm 0 PLC ± 2 PLC ± 3 PLC ± 4 PLC ± ANGLES FINISH ±		PRODUCT SPEC: 108-137191 APPLICATION SPEC: 114-137191 WEIGHT: - CUSTOMER DRAWING	
MATERIAL: -		SIZE: A1	SCALE: 1:1 SHEET: 1 OF 1 REV: B

单击下面可查看定价，库存，交付和生命周期等信息

[>>TE Connectivity\(泰科\)](#)