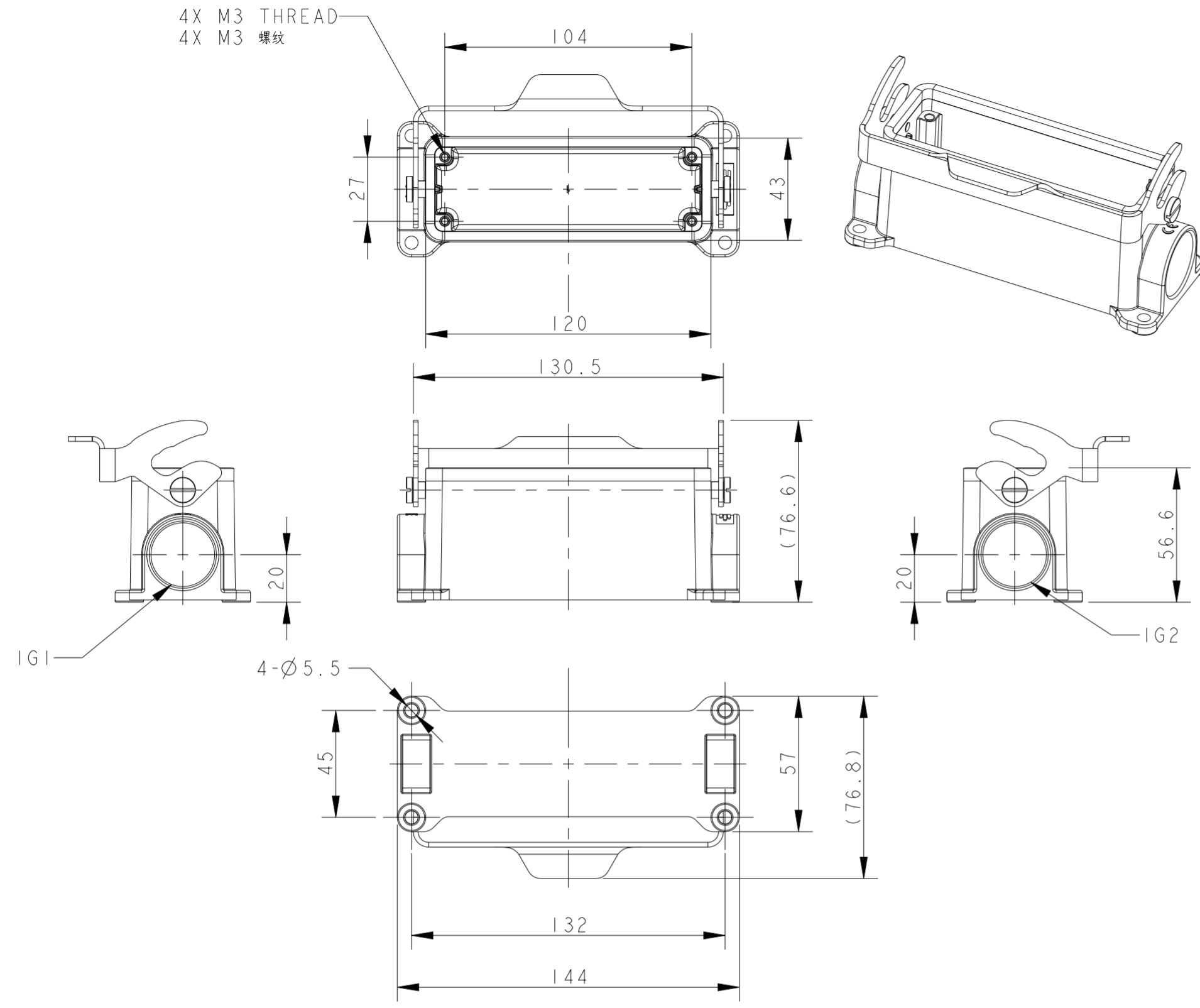


THIS DRAWING IS UNPUBLISHED. RELEASED FOR PUBLICATION 20
 © COPYRIGHT 20 BY - ALL RIGHTS RESERVED.

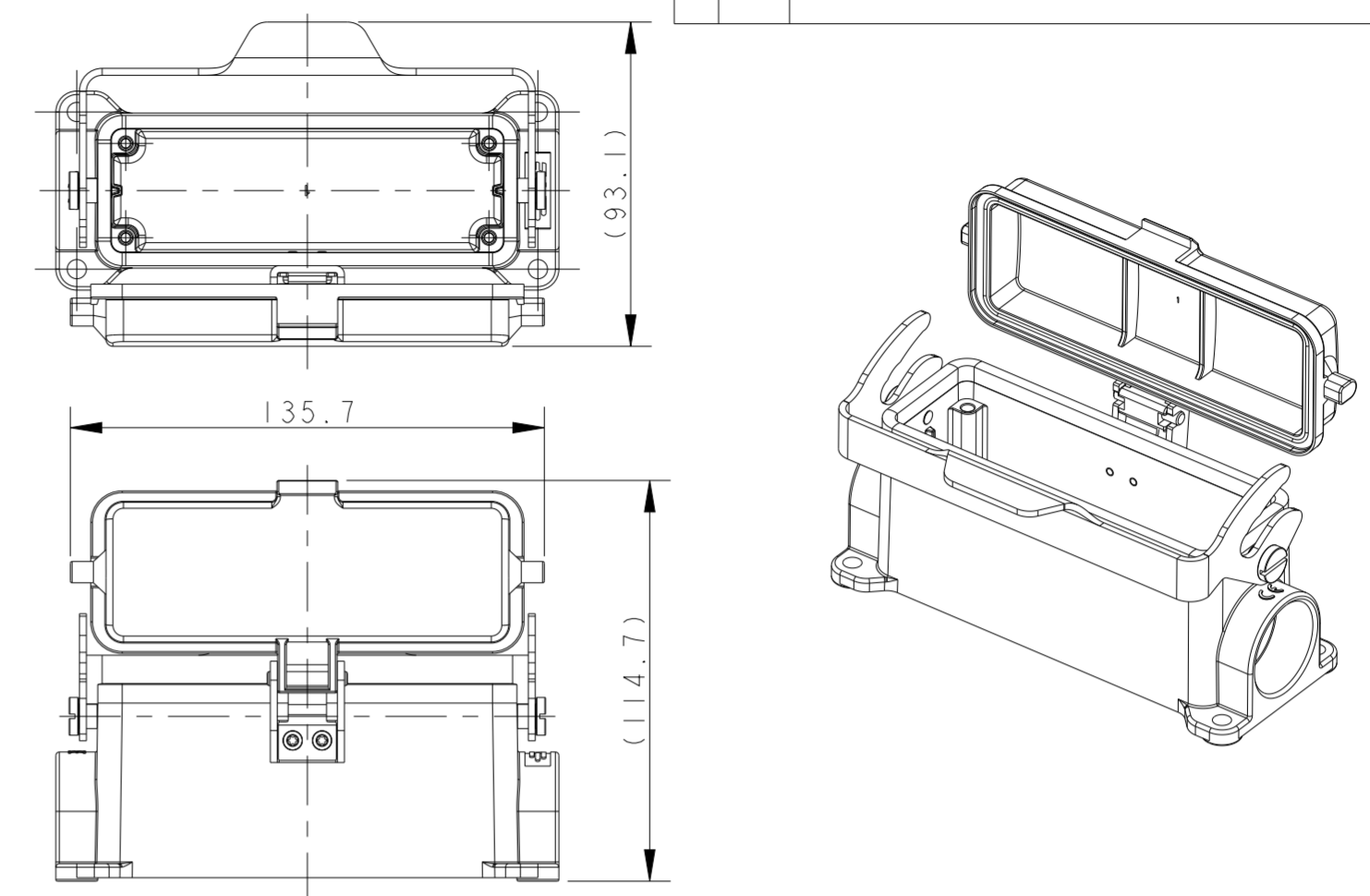
| REVISIONS | | | | | |
|-----------|-----|-----------------|-----------|-----|------|
| P | LTR | DESCRIPTION | DATE | DWN | APVD |
| A | | INITIAL RELEASE | 02JUL2015 | DL | CW |
| A1 | | ECR-18-019196 | 02JAN2019 | WOR | CW |
| B | | ECR-20-014876 | 27JUL2021 | WOR | CW |



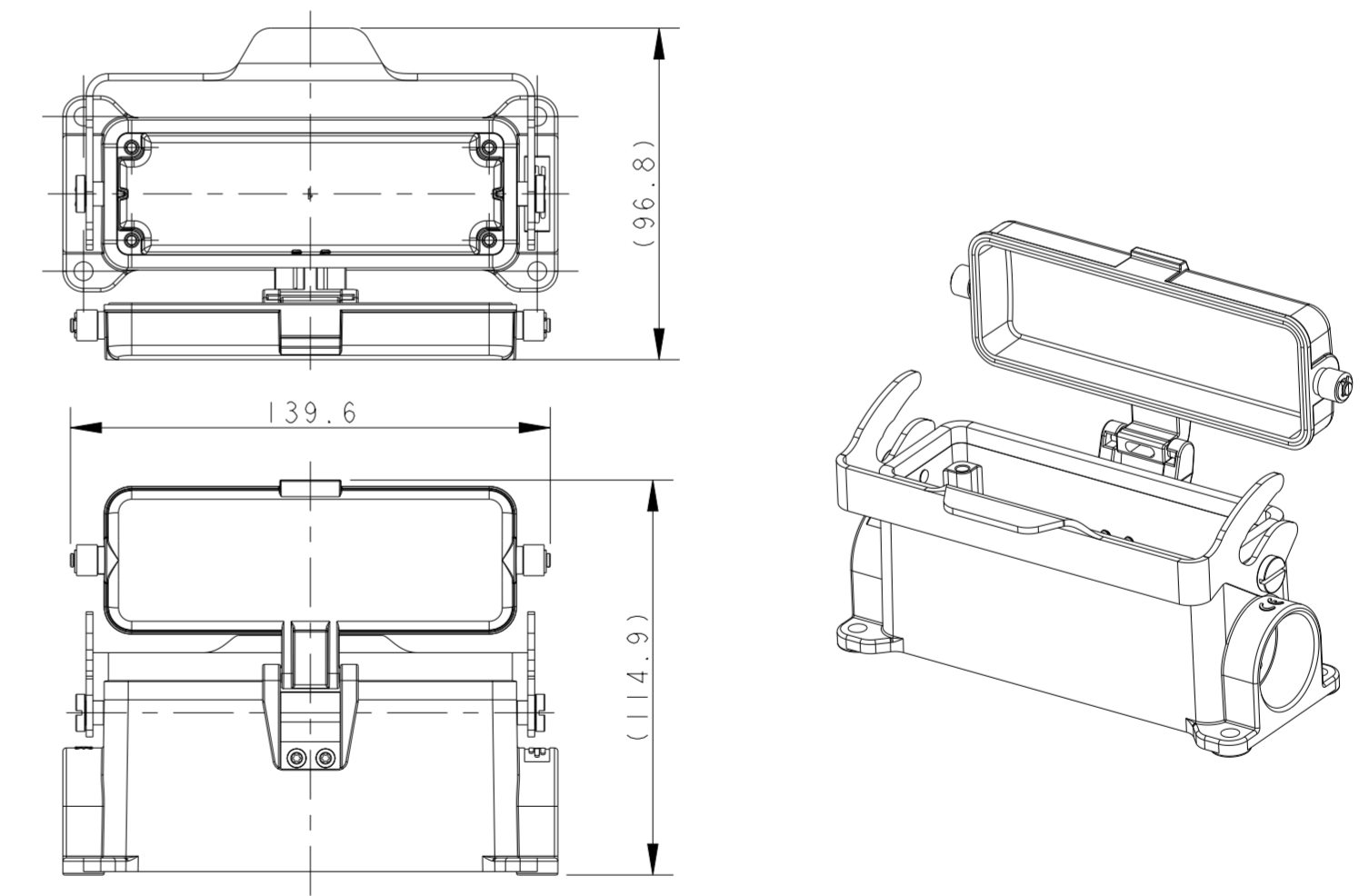
TYPE 1: H24B HOUSING, SURFACE MOUNTED, METAL SINGLE LOCKING.
 类型1: H24B下壳, 表面安装, 彩锌单扣.

NOTES:
 1. TECHNICAL CHARACTERISTICS:
 BODY MATERIAL: DIE CAST ALUMINIUM ALLOY
 SURFACE TREATMENT: POWDER-COATED, GRAY
 DEGREE OF PROTECTION: IP65 (MATED)

注释:
 1. 技术参数:
 主体材料: 铝合金
 表面处理: 粉末喷涂, 灰色
 防护等级: IP65(配合)



TYPE 2: H24B HOUSING, SURFACE MOUNTED, METAL SINGLE LOCKING+PLASTIC PROTECTION COVER
 OTHER SPEC REFER TO TYPE 1
 类型2: H24B下壳, 表面安装, 彩锌单扣+带塑料保护盖
 其余规范参考类型1

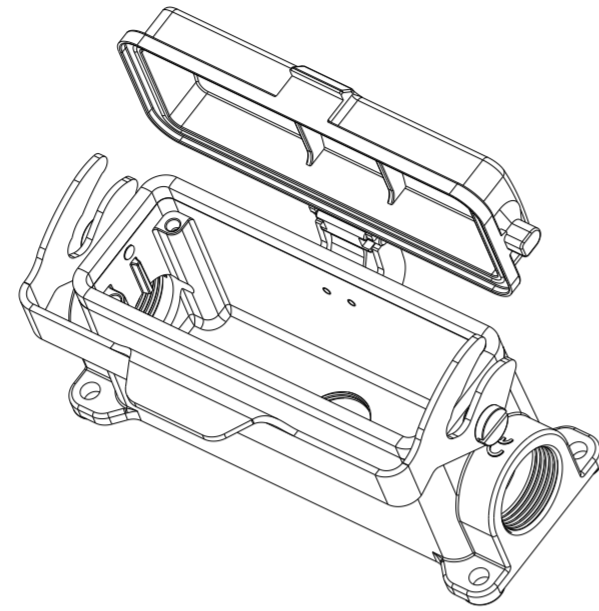
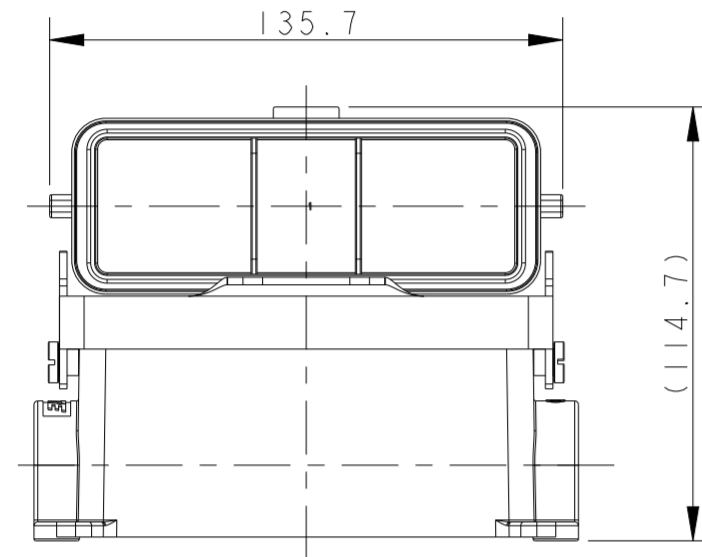
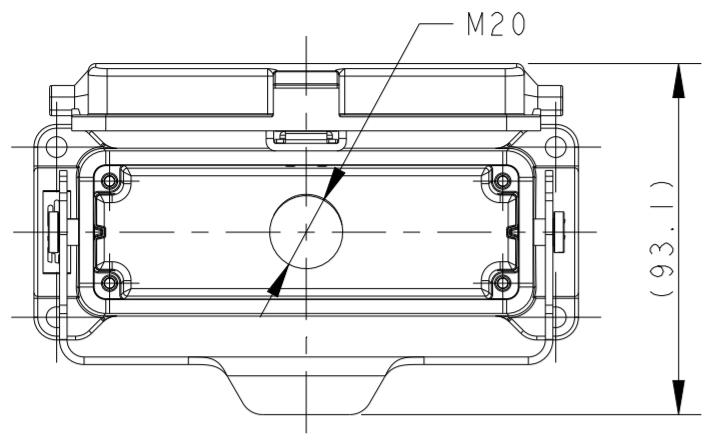


TYPE 3: H24B HOUSING, SURFACE MOUNTED, METAL SINGLE LOCKING+METAL PROTECTION COVER
 OTHER SPEC REFER TO TYPE 1
 类型3: H24B下壳, 表面安装, 彩锌单扣+带金属保护盖
 其余规范参考类型1

| | | | | | |
|---|--|-----------------------------|--|-------------|------------------------------|
| THIS DRAWING IS A CONTROLLED DOCUMENT. | | DWN DAVID LI 02JUL2015 | TE Connectivity | | |
| | | CHK CHRIS WANG 02JUL2015 | | | |
| | | APVD XU XIANG 02JUL2015 | NAME H24B-SGR/SDR/SDRM/SGRH/SDRH/SDRHM-LB-PG/M | | |
| DIMENSIONS: mm | | PRODUCT SPEC 108-137013 | SIZE A2 | CAGE CODE - | DRAWING NO. C-T16X0243XXXX00 |
| TOLERANCES UNLESS OTHERWISE SPECIFIED: | | APPLICATION SPEC 114-137013 | RESTRICTED TO - | SCALE 1:2 | SHEET 1 OF 4 |
| 0 PLC ± 1 PLC ± 2 PLC ± 3 PLC ± 4 PLC ± ANGLES ± FINISH - | | WEIGHT - | REV B | | |
| MATERIAL - | | Customer Drawing | | | |

THIS DRAWING IS UNPUBLISHED. RELEASED FOR PUBLICATION 20
 © COPYRIGHT 20 BY - ALL RIGHTS RESERVED.

| REVISIONS | | | | | |
|-----------|-----|-------------|------|-----|------|
| P | LTR | DESCRIPTION | DATE | DWN | APVD |
| - | | SEE SHEET 1 | - | - | - |
| | | | | | |
| | | | | | |



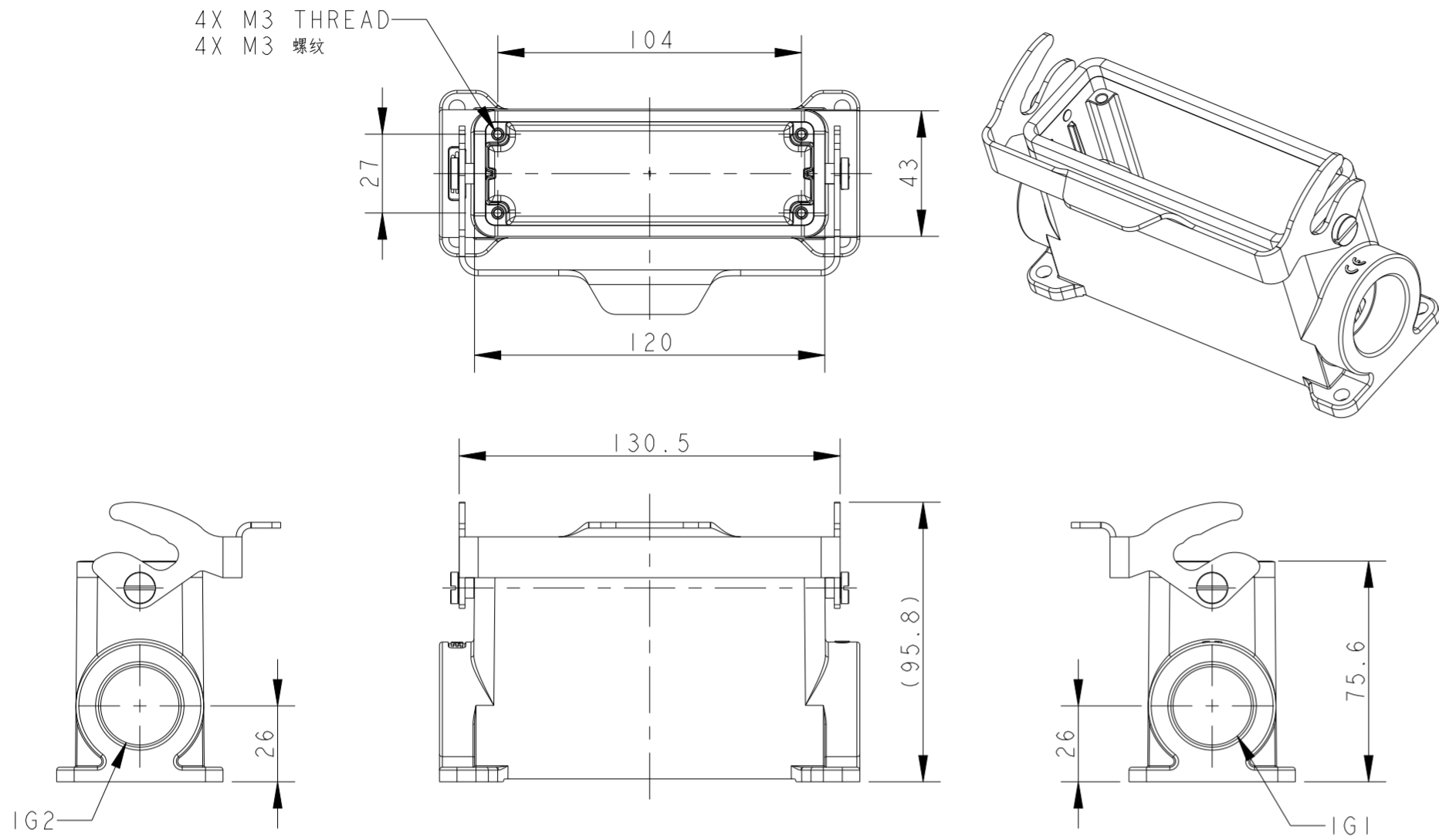
TYPE 4: H24B HOUSING, SURFACE MOUNTED, METAL SINGLE LOCKING, SIDE ENTRY 2M25, BOTTOM ENTRY M20+PLASTIC PROTECTION COVER
 OTHER SPEC REFER TO TYPE 2
 类型4: H24B下壳, 表面安装, 彩锌单扣, 侧出2M25, 底出M20+带塑料保护盖
 其余规范参考类型2

| PART NUMBER | 料号 | DESCRIPTION | 描述 | IG1 | IG2 | TYPE | 类型 |
|-----------------|----------------------|--|----|------|------|------|----------------|
| T1610243121-000 | H24B-SGR-LB-PG21 | H24B HOUSING, SURFACE MOUNTED, METAL SINGLE LOCKING, PG21, POWDER COATED, GREY H24B下壳, 表面安装, 彩锌单扣, PG21, 灰色粉末喷涂 | | PG21 | - | | |
| T1610243125-000 | H24B-SGR-LB-M25 | H24B HOUSING, SURFACE MOUNTED, METAL SINGLE LOCKING, M25, POWDER COATED, GREY H24B下壳, 表面安装, 彩锌单扣, M25, 灰色粉末喷涂 | | M25 | - | | TYPE 1 类型 1 |
| T1610243221-000 | H24B-SGR-LB-2PG21 | H24B HOUSING, SURFACE MOUNTED, METAL SINGLE LOCKING, 2PG21, POWDER COATED, GREY H24B下壳, 表面安装, 彩锌单扣, 2PG21, 灰色粉末喷涂 | | PG21 | PG21 | | TYPE 1 类型 1 |
| T1610243225-000 | H24B-SGR-LB-2M25 | H24B HOUSING, SURFACE MOUNTED, METAL SINGLE LOCKING, 2M25, POWDER COATED, GREY H24B下壳, 表面安装, 彩锌单扣, 2M25, 灰色粉末喷涂 | | M25 | M25 | | TYPE 1 类型 1 |
| T1620243121-000 | H24B-SDR-LB-PG21 | H24B HOUSING, SURFACE MOUNTED, METAL SINGLE LOCKING, PG21, PLASTIC PROTECTION COVER, POWDER COATED, GREY H24B下壳, 表面安装, 彩锌单扣, PG21, 带塑料保护盖, 灰色粉末喷涂 | | PG21 | - | | TYPE 2 类型 2 |
| T1620243125-000 | H24B-SDR-LB-M25 | H24B HOUSING, SURFACE MOUNTED, METAL SINGLE LOCKING, M25, PLASTIC PROTECTION COVER, POWDER COATED, GREY H24B下壳, 表面安装, 彩锌单扣, M25, 带塑料保护盖, 灰色粉末喷涂 | | M25 | - | | TYPE 2 类型 2 |
| T1620243221-000 | H24B-SDR-LB-2PG21 | H24B HOUSING, SURFACE MOUNTED, METAL SINGLE LOCKING, 2PG21, PLASTIC PROTECTION COVER, POWDER COATED, GREY H24B下壳, 表面安装, 彩锌单扣, 2PG21, 带塑料保护盖, 灰色粉末喷涂 | | PG21 | PG21 | | TYPE 2 类型 2 |
| T1620243225-000 | H24B-SDR-LB-2M25 | H24B HOUSING, SURFACE MOUNTED, METAL SINGLE LOCKING, 2M25, PLASTIC PROTECTION COVER, POWDER COATED, GREY H24B下壳, 表面安装, 彩锌单扣, 2M25, 带塑料保护盖, 灰色粉末喷涂 | | M25 | M25 | | TYPE 2 类型 2 |
| T1620243421-000 | H24B-SDRM-LB-PG21 | H24B HOUSING, SURFACE MOUNTED, METAL SINGLE LOCKING, PG21, METAL PROTECTION COVER, POWDER COATED, GREY H24B下壳, 表面安装, 彩锌单扣, PG21, 带金属保护盖, 灰色粉末喷涂 | | PG21 | - | | TYPE 3 类型 3 |
| T1620243425-000 | H24B-SDRM-LB-M25 | H24B HOUSING, SURFACE MOUNTED, METAL SINGLE LOCKING, M25, METAL PROTECTION COVER, POWDER COATED, GREY H24B下壳, 表面安装, 彩锌单扣, M25, 带金属保护盖, 灰色粉末喷涂 | | M25 | - | | TYPE 3 类型 3 |
| T1620243321-000 | H24B-SDRM-LB-2PG21 | H24B HOUSING, SURFACE MOUNTED, METAL SINGLE LOCKING, 2PG21, METAL PROTECTION COVER, POWDER COATED, GREY H24B下壳, 表面安装, 彩锌单扣, 2PG21, 带金属保护盖, 灰色粉末喷涂 | | PG21 | PG21 | | TYPE 3 类型 3 |
| T1620243325-000 | H24B-SDRM-LB-2M25 | H24B HOUSING, SURFACE MOUNTED, METAL SINGLE LOCKING, 2M25, METAL PROTECTION COVER, POWDER COATED, GREY H24B下壳, 表面安装, 彩锌单扣, 2M25, 带金属保护盖, 灰色粉末喷涂 | | M25 | M25 | | TYPE 3 类型 3 |
| T1620242520-000 | H24B-SDR-LB-2M25/M20 | H24B HOUSING, SURFACE MOUNTED, METAL SINGLE LOCKING, SIDE ENTRY 2M25, BOTTOM ENTRY M20, PLASTIC PROTECTION COVER, POWDER COATED, GREY H24B下壳, 表面安装, 彩锌单扣, 侧出2M25, 底出M20, 带塑料保护盖, 灰色粉末喷涂 | | M25 | M25 | | TYPE 4 类型 4 |

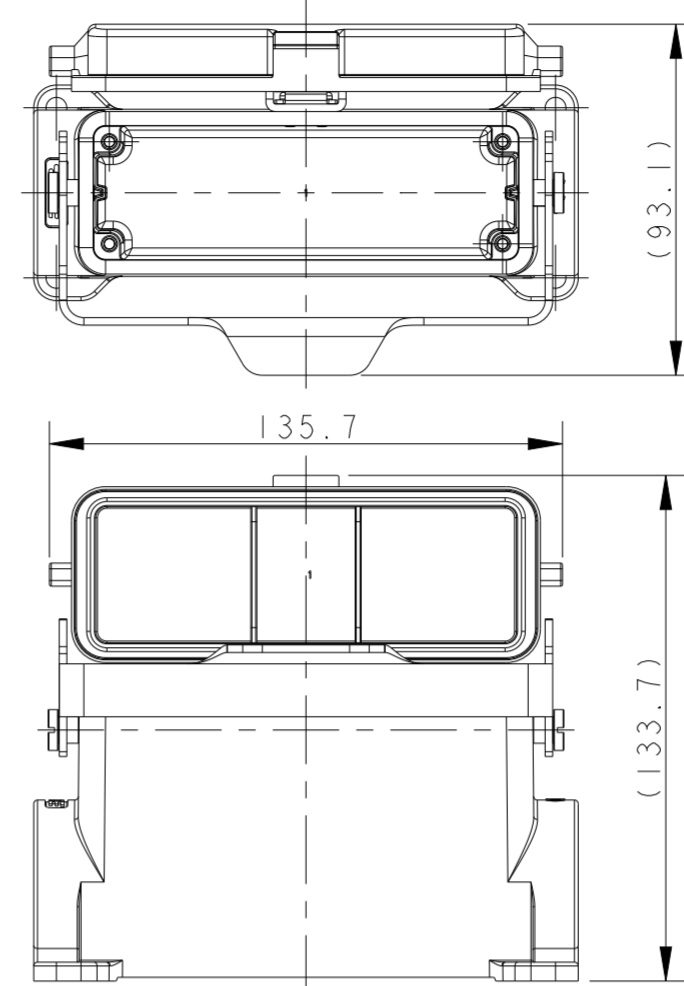
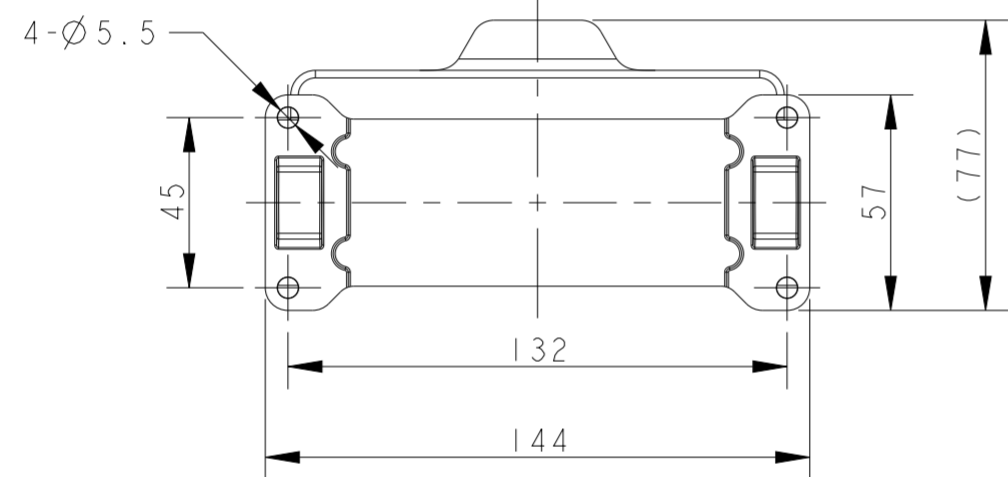
| | | | | |
|---|--|-----------------------------|--|-----------------|
| THIS DRAWING IS A CONTROLLED DOCUMENT. | | DWN DAVID LI 02 JUL 2015 | TE Connectivity | |
| | | CHK CHRIS WANG 02 JUL 2015 | | |
| DIMENSIONS: mm | | APVD XU XIANG 02 JUL 2015 | NAME H24B-SGR/SDR/SDRM/SGRH/SDRH/SDRHM-LB-PG/M | |
| TOLERANCES UNLESS OTHERWISE SPECIFIED: 0 PLC ± 1 PLC ± 2 PLC ± 3 PLC ± 4 PLC ± ANGLES ± FINISH - | | PRODUCT SPEC 108-137013 | SIZE A2 | CAGE CODE - |
| MATERIAL - | | APPLICATION SPEC 114-137013 | DRAWING NO. C-T16X0243XXXX00 | RESTRICTED TO - |
| | | WEIGHT - | SCALE 1:2 | SHEET 2 OF 4 |
| | | Customer Drawing | REV B | |

THIS DRAWING IS UNPUBLISHED. RELEASED FOR PUBLICATION 20
 © COPYRIGHT 20 BY - ALL RIGHTS RESERVED.

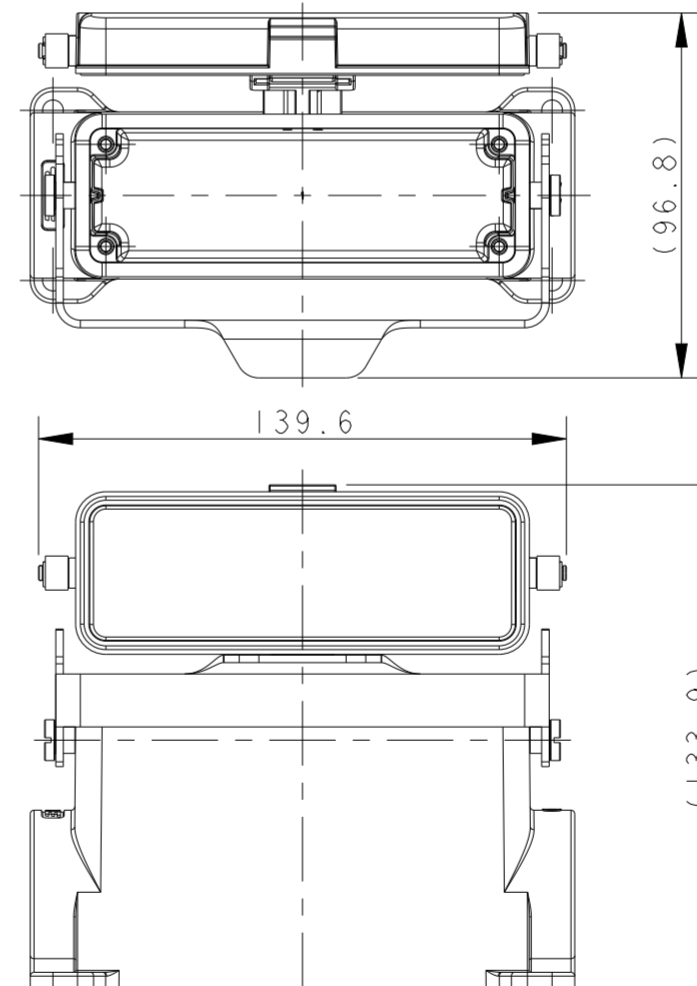
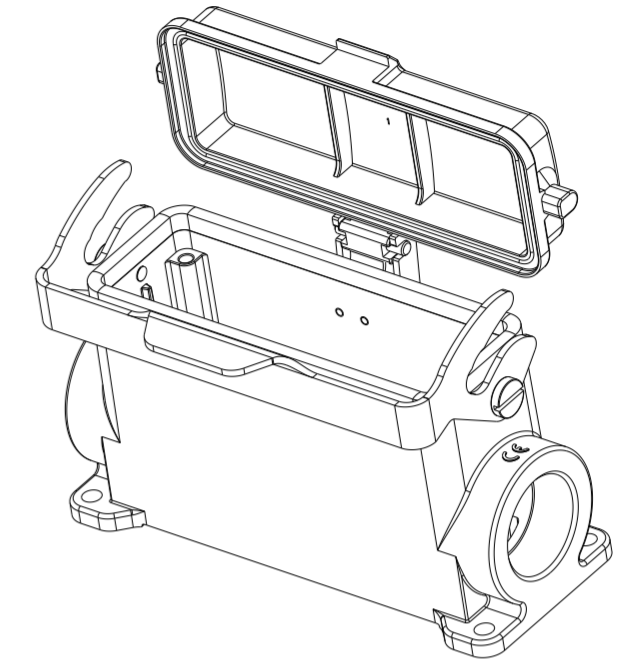
| REVISIONS | | | | |
|-----------|-----|-------------|------|------|
| P | LTR | DESCRIPTION | DATE | APVD |
| - | | SEE SHEET 1 | - | - |
| | | | | |
| | | | | |



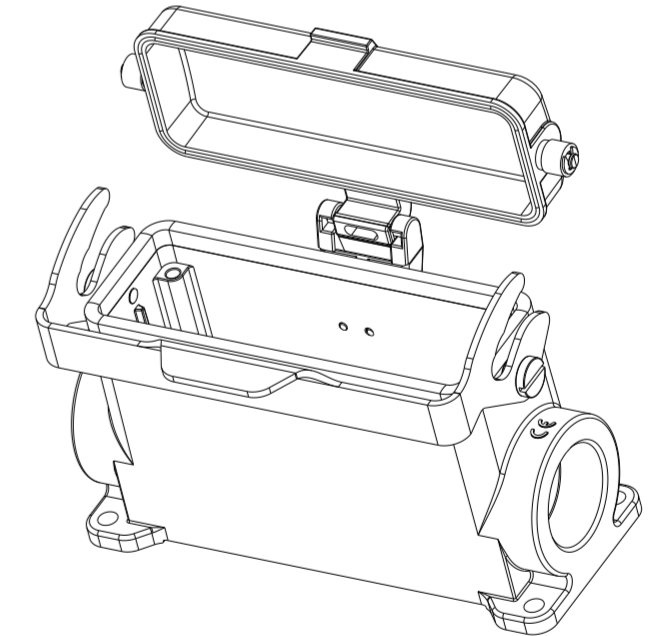
TYPE 5: H24B HOUSING, SURFACE MOUNTED, METAL SINGLE LOCKING, HIGH CONSTRUCTION
 类型5: H24B下壳, 表面安装, 彩锌单扣, 高结构



TYPE 6: H24B HOUSING, SURFACE MOUNTED, METAL SINGLE LOCKING, HIGH CONSTRUCTION+PLASTIC PROTECTION COVER
 OTHER SPEC REFER TO TYPE 5
 类型6: H24B下壳, 表面安装, 彩锌单扣, 高结构+带塑料保护盖
 其余规范参考类型5



TYPE 7: H24B HOUSING, SURFACE MOUNTED, METAL SINGLE LOCKING, HIGH CONSTRUCTION+METAL PROTECTION COVER
 OTHER SPEC REFER TO TYPE 5
 类型7: H24B下壳, 表面安装, 彩锌单扣, 高结构+带金属保护盖
 其余规范参考类型5



| | | | | |
|--|----------|-----------------------------|--|-----------------|
| THIS DRAWING IS A CONTROLLED DOCUMENT. | | DWN DAVID LI 02JUL2015 | STE TE Connectivity | |
| DIMENSIONS: mm | | CHK CHRIS WANG 02JUL2015 | | |
| TOLERANCES UNLESS OTHERWISE SPECIFIED: | | APVD XU XIANG 02JUL2015 | NAME H24B-SGR/SDR/SDRM/SGRH/SDRH/SDRHM-LB-PG/M | |
| 0 PLC ± | 1 PLC ± | PRODUCT SPEC 108-137013 | SIZE A2 | CAGE CODE - |
| 2 PLC ± | 3 PLC ± | APPLICATION SPEC 114-137013 | DRAWING NO G-T16X0243XXXX00 | RESTRICTED TO - |
| 4 PLC ± | ANGLES ± | WEIGHT - | SCALE 1:2 | SHEET 3 OF 4 |
| MATERIAL - | FINISH - | Customer Drawing | REV B | |

THIS DRAWING IS UNPUBLISHED. RELEASED FOR PUBLICATION 20
 © COPYRIGHT 20 BY - ALL RIGHTS RESERVED.

| REVISIONS | | | | | |
|-----------|-----|-------------|------|-----|------|
| P | LTR | DESCRIPTION | DATE | DWN | APVD |
| - | | SEE SHEET 1 | - | - | - |
| | | | | | |
| | | | | | |

| PART NUMBER | DESCRIPTION | IG1 | IG2 | TYPE |
|-------------------|---|------|------|----------------|
| T1650243121-000 | H24B-SGRH-LB-PG21 H24B HOUSING,SURFACE MOUNTED,METAL SINGLE LOCKING, PG21, HIGH CONSTRUCTION, POWDER COATED, GREY H24B下壳,表面安装,彩锌单扣,PG21,高结构,灰色粉末喷涂 | PG21 | - | TYPE 5 类型 5 |
| T1650243125-000 | H24B-SGRH-LB-M25 H24B HOUSING,SURFACE MOUNTED,METAL SINGLE LOCKING, M25, HIGH CONSTRUCTION, POWDER COATED, GREY H24B下壳,表面安装,彩锌单扣,M25,高结构,灰色粉末喷涂 | M25 | - | |
| T1650243129-000 | H24B-SGRH-LB-PG29 H24B HOUSING,SURFACE MOUNTED,METAL SINGLE LOCKING, PG29, HIGH CONSTRUCTION, POWDER COATED, GREY H24B下壳,表面安装,彩锌单扣,PG29,高结构,灰色粉末喷涂 | PG29 | - | |
| T1650243132-000 | H24B-SGRH-LB-M32 H24B HOUSING,SURFACE MOUNTED,METAL SINGLE LOCKING, M32, HIGH CONSTRUCTION, POWDER COATED, GREY H24B下壳,表面安装,彩锌单扣,M32,高结构,灰色粉末喷涂 | M32 | - | |
| T1650243221-000 | H24B-SGRH-LB-2PG21 H24B HOUSING,SURFACE MOUNTED,METAL SINGLE LOCKING, 2PG21, HIGH CONSTRUCTION, POWDER COATED, GREY H24B下壳,表面安装,彩锌单扣,2PG21,高结构,灰色粉末喷涂 | PG21 | PG21 | |
| T1650243229-000 | H24B-SGRH-LB-2PG29 H24B HOUSING,SURFACE MOUNTED,METAL SINGLE LOCKING, 2PG29, HIGH CONSTRUCTION, POWDER COATED, GREY H24B下壳,表面安装,彩锌单扣,2PG29,高结构,灰色粉末喷涂 | PG29 | PG29 | |
| T1650243232-000 | H24B-SGRH-LB-2M32 H24B HOUSING,SURFACE MOUNTED,METAL SINGLE LOCKING, 2M32, HIGH CONSTRUCTION, POWDER COATED, GREY H24B下壳,表面安装,彩锌单扣,2M32,高结构,灰色粉末喷涂 | M32 | M32 | |
| T1660243121-000 | H24B-SDRH-LB-PG21 H24B HOUSING,SURFACE MOUNTED,METAL SINGLE LOCKING,PG21, HIGH CONSTRUCTION,PLASTIC PROTECTION COVER,POWDER COATED, GREY H24B下壳,表面安装,彩锌单扣,PG21,高结构,带塑料保护盖,灰色粉末喷涂 | PG21 | - | TYPE 6 类型 6 |
| T1660243129-000 | H24B-SDRH-LB-PG29 H24B HOUSING,SURFACE MOUNTED,METAL SINGLE LOCKING,PG29, HIGH CONSTRUCTION,PLASTIC PROTECTION COVER,POWDER COATED, GREY H24B下壳,表面安装,彩锌单扣,PG29,高结构,带塑料保护盖,灰色粉末喷涂 | PG29 | - | |
| T1660243132-000 | H24B-SDRH-LB-M32 H24B HOUSING,SURFACE MOUNTED,METAL SINGLE LOCKING,M32, HIGH CONSTRUCTION,PLASTIC PROTECTION COVER,POWDER COATED, GREY H24B下壳,表面安装,彩锌单扣,M32,高结构,带塑料保护盖,灰色粉末喷涂 | M32 | - | |
| T1660243221-000 | H24B-SDRH-LB-2PG21 H24B HOUSING,SURFACE MOUNTED,METAL SINGLE LOCKING,2PG21, HIGH CONSTRUCTION,PLASTIC PROTECTION COVER,POWDER COATED, GREY H24B下壳,表面安装,彩锌单扣,2PG21,高结构,带塑料保护盖,灰色粉末喷涂 | PG21 | PG21 | |
| T1660243229-000 | H24B-SDRH-LB-2PG29 H24B HOUSING,SURFACE MOUNTED,METAL SINGLE LOCKING,2PG29, HIGH CONSTRUCTION,PLASTIC PROTECTION COVER,POWDER COATED, GREY H24B下壳,表面安装,彩锌单扣,2PG29,高结构,带塑料保护盖,灰色粉末喷涂 | PG29 | PG29 | |
| T1660243232-000 | H24B-SDRH-LB-2M32 H24B HOUSING,SURFACE MOUNTED,METAL SINGLE LOCKING,2M32, HIGH CONSTRUCTION,PLASTIC PROTECTION COVER,POWDER COATED, GREY H24B下壳,表面安装,彩锌单扣,2M32,高结构,带塑料保护盖,灰色粉末喷涂 | M32 | M32 | |
| T1660243121-100 | H24B-SDRHM-LB-PG21 H24B HOUSING,SURFACE MOUNTED,METAL SINGLE LOCKING,PG21, HIGH CONSTRUCTION,METAL PROTECTION COVER,POWDER COATED, GREY H24B下壳,表面安装,彩锌单扣,PG21,高结构,带金属保护盖,灰色粉末喷涂 | PG21 | - | |
| T1660243129-100 | H24B-SDRHM-LB-PG29 H24B HOUSING,SURFACE MOUNTED,METAL SINGLE LOCKING,PG29, HIGH CONSTRUCTION,METAL PROTECTION COVER,POWDER COATED, GREY H24B下壳,表面安装,彩锌单扣,PG29,高结构,带金属保护盖,灰色粉末喷涂 | PG29 | - | |
| T1660243132-100 | H24B-SDRHM-LB-M32 H24B HOUSING,SURFACE MOUNTED,METAL SINGLE LOCKING,M32, HIGH CONSTRUCTION,METAL PROTECTION COVER,POWDER COATED, GREY H24B下壳,表面安装,彩锌单扣,M32,高结构,带金属保护盖,灰色粉末喷涂 | M32 | - | TYPE 7 类型 7 |
| T1660243221-100 | H24B-SDRHM-LB-2PG21 H24B HOUSING,SURFACE MOUNTED,METAL SINGLE LOCKING,2PG21, HIGH CONSTRUCTION,METAL PROTECTION COVER,POWDER COATED, GREY H24B下壳,表面安装,彩锌单扣,2PG21,高结构,带金属保护盖,灰色粉末喷涂 | PG21 | PG21 | |
| T1660243229-100 | H24B-SDRHM-LB-2PG29 H24B HOUSING,SURFACE MOUNTED,METAL SINGLE LOCKING,2PG29, HIGH CONSTRUCTION,METAL PROTECTION COVER,POWDER COATED, GREY H24B下壳,表面安装,彩锌单扣,2PG29,高结构,带金属保护盖,灰色粉末喷涂 | PG29 | PG29 | |
| T1660243232-100 | H24B-SDRHM-LB-2M32 H24B HOUSING,SURFACE MOUNTED,METAL SINGLE LOCKING,2M32, HIGH CONSTRUCTION,METAL PROTECTION COVER,POWDER COATED, GREY H24B下壳,表面安装,彩锌单扣,2M32,高结构,带金属保护盖,灰色粉末喷涂 | M32 | M32 | |
| PART NUMBER 料号 | DESCRIPTION 描述 | IG1 | IG2 | TYPE 类型 |

| | | | | |
|--|--|-----------------------------|--|--------------|
| THIS DRAWING IS A CONTROLLED DOCUMENT. | | DWN DAVID LI 02 JUL 2015 | STE TE Connectivity | |
| | | CHK CHRIS WANG 02 JUL 2015 | | |
| DIMENSIONS: mm | | APVD XU XIANG 02 JUL 2015 | NAME H24B-SGR/SDR/SDRM/SGRH/SDRH/SDRHM-LB-PG/M | |
| TOLERANCES UNLESS OTHERWISE SPECIFIED: | | PRODUCT SPEC 108-137013 | RESTRICTED TO | |
| 0 PLC ±- | | APPLICATION SPEC 114-137013 | SIZE A2 | CAGE CODE - |
| 1 PLC ±- | | WEIGHT - | DRAWING NO ©-T16X0243XXXX00 | |
| 2 PLC ±- | | Customer Drawing | SCALE 1:2 | SHEET 4 OF 4 |
| 3 PLC ±- | | | | REV B |
| 4 PLC ±- | | | | |
| ANGLES ±- | | | | |
| FINISH - | | | | |
| MATERIAL - | | | | |

单击下面可查看定价，库存，交付和生命周期等信息

[>>TE Connectivity\(泰科\)](#)