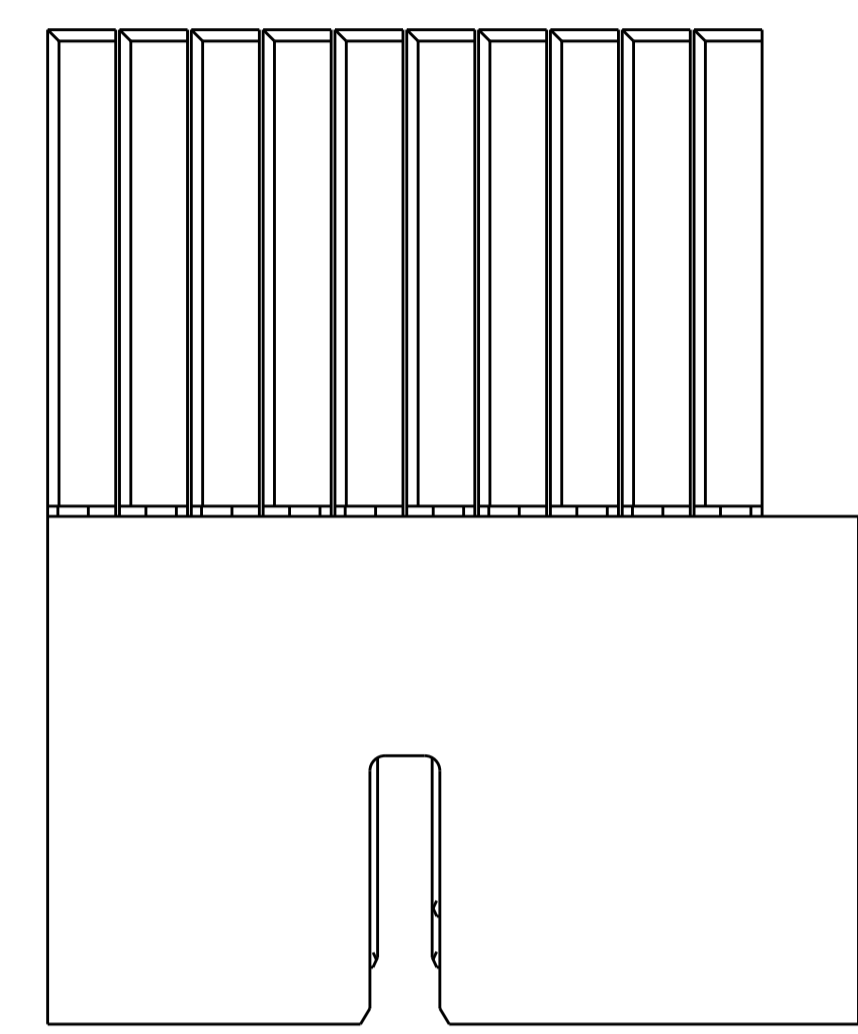
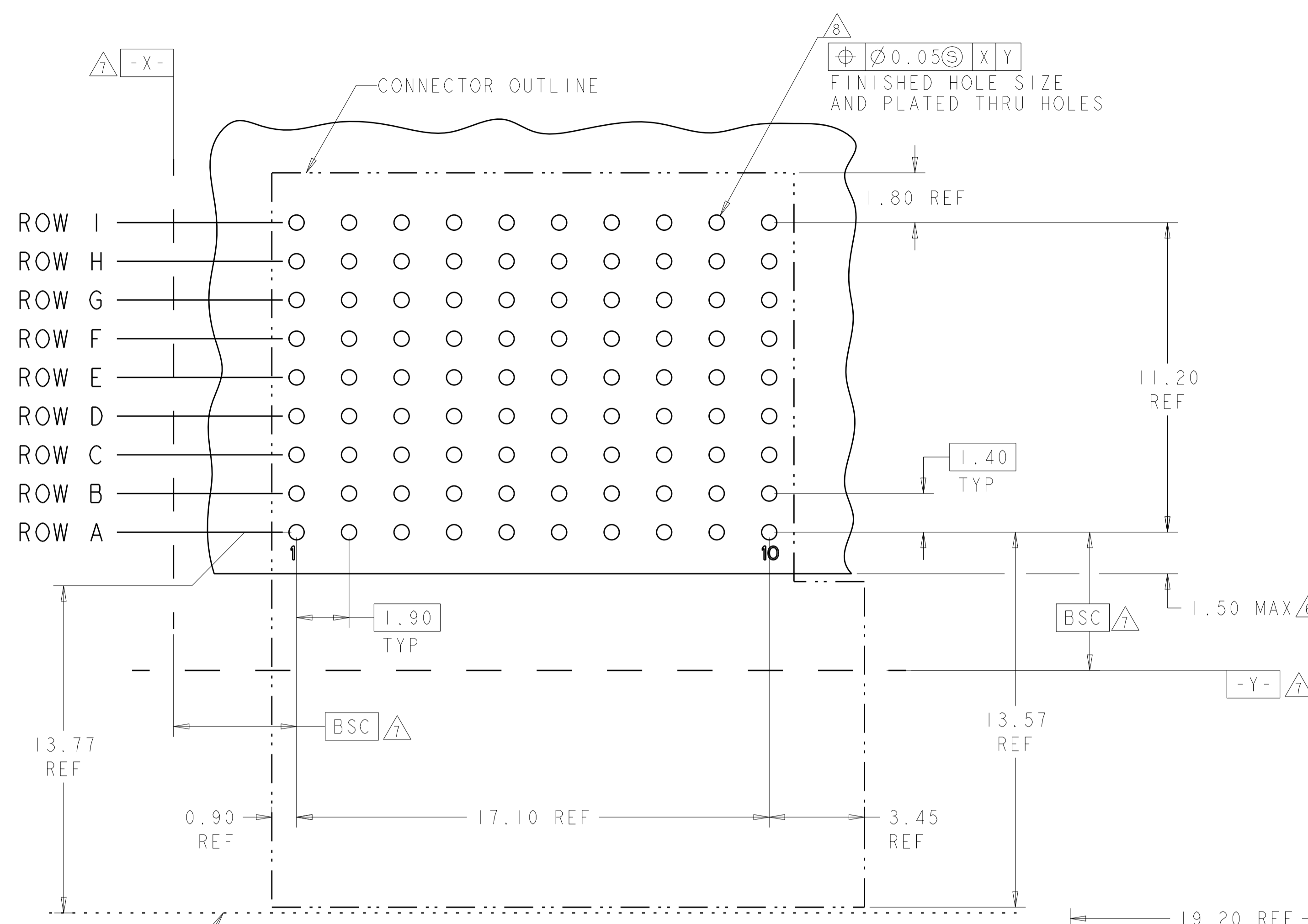
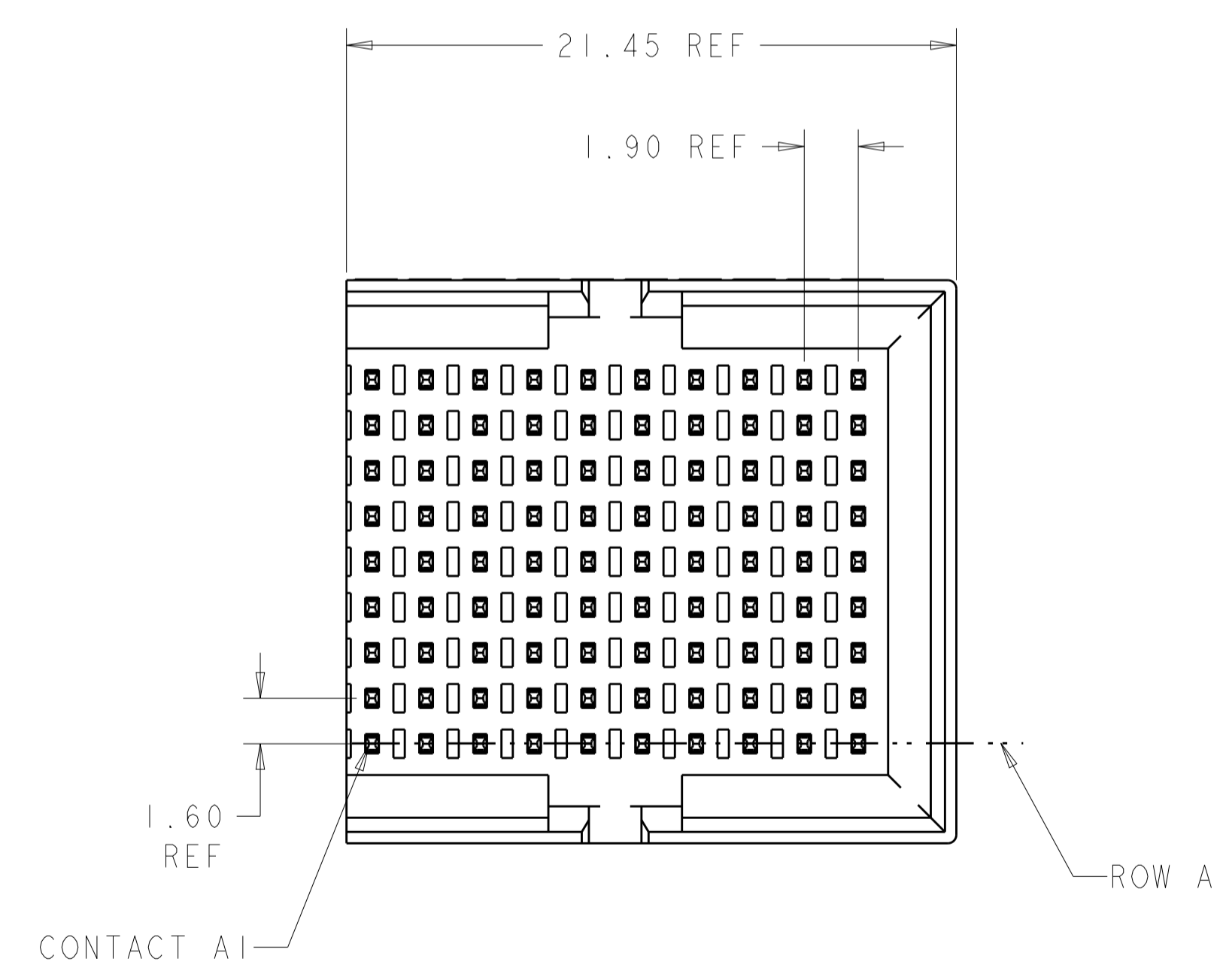
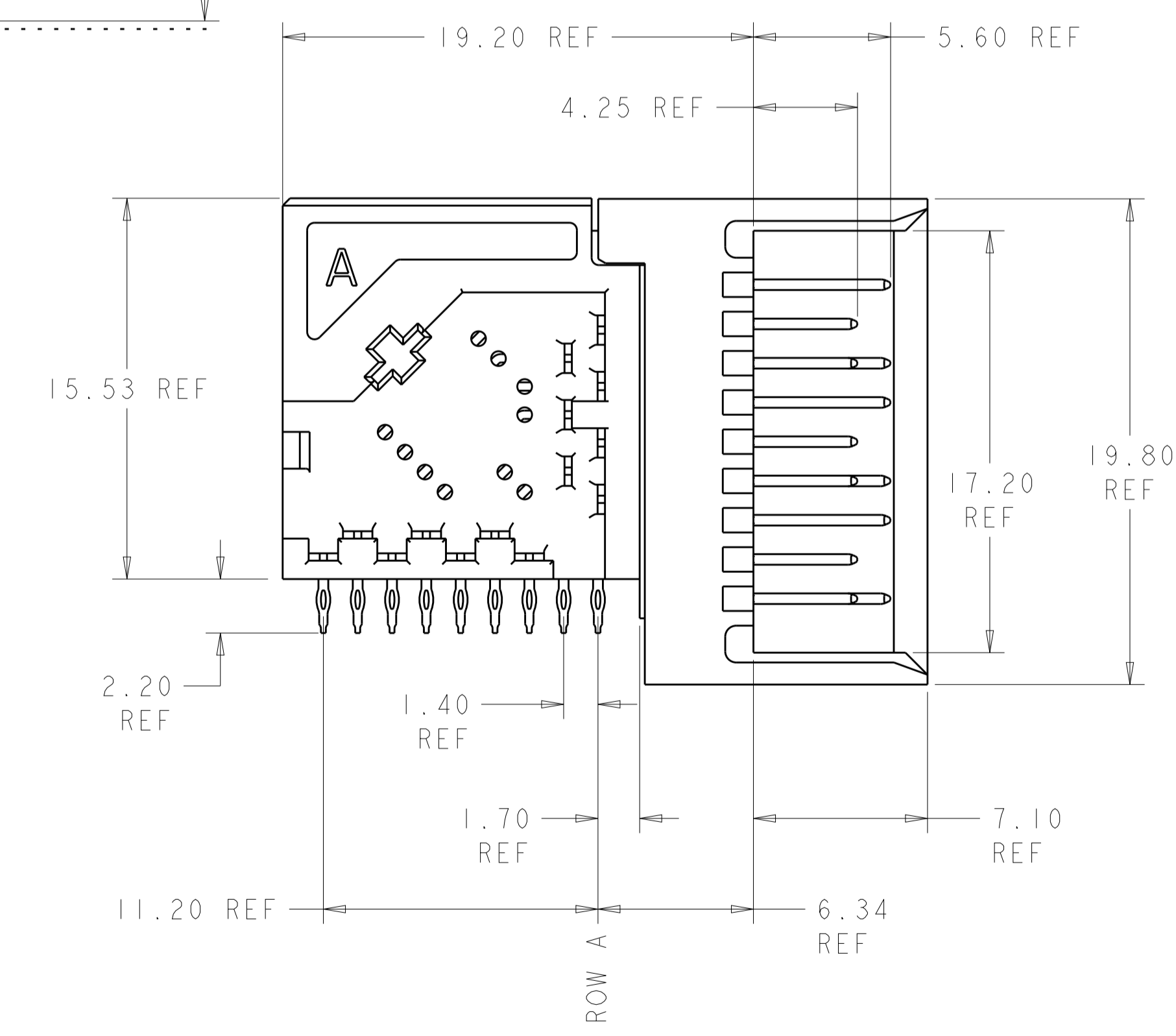


LOC		DIST		REVISIONS			
P	LTN	DESCRIPTION	DATE	DWN	APVD		
B		REV PER ECO 12-010940	7-31-12	CT	DH		
C		ECO-13-004755	26MAR2013	KG	DH		
D		ECO-14-017030	25NOV2014	MGM	CT		



TOP OF MOTHER BOARD
RECOMMENDED PC BOARD LAYOUT
COMPONENT SIDE SHOWN
SCALE 8:1



- ① MATERIAL:
CONTACT AND SHIELD: COPPER ALLOY
HOUSING AND CHICKLET: LCP, COLOR: BLACK
- ② FINISH:
CONTACT: MATING AREA: 1.27µm MIN GOLD OVER
1.27µm MIN NICKEL
- ③ FINISH:
COMPLIANT PIN AREA: 0.38µm MIN BRIGHT TIN LEAD OVER
1.27µm MIN NICKEL
- ④ FINISH:
COMPLIANT PIN AREA: 0.38µm MIN MATTE TIN OVER
1.27µm MIN NICKEL
- ⑤ ---
- ⑥ DIMENSION APPLIES TO CENTERLINE OF THRU HOLE.
- ⑦ DATUMS AND BASIC DIMENSIONS ESTABLISHED BY CUSTOMER.
- ⑧ REFERENCE APPLICATION SPEC 114-13267 FOR RECOMMENDED PLATED THRU HOLE DIAMETER AND PLATING THICKNESS.

② ④	2102317-2
② ③	2102317-1
FINISH	PART NUMBER

THIS DRAWING IS A CONTROLLED DOCUMENT. DIMENSIONING AND TOLERANCING PER: GPS (1:50 STANDARDS)		DWN: D. BELACK 16AUG2010	CHK: A. TSANG 8-16-2010	APVD: M. McALONIS 8-16-2010	NAME: Fortis Zd. 10-COLUMN, R/A RIGHT MODULE ASSEMBLY SINGLE ENDED
DIMENSIONS: mm	TOLERANCES UNLESS OTHERWISE SPECIFIED:	0 PLC ±.1	1 PLC ±.13	2 PLC ±.13	3 PLC ±.05
MATERIAL:	FINISH: -	114-13267	WEIGHT: ~11.76g	SCALE: 5:1	SHEET 1 OF 1
CUSTOMER DRAWING		A100779C=2102317		REV D	

单击下面可查看定价，库存，交付和生命周期等信息

[>>TE Connectivity\(泰科\)](#)