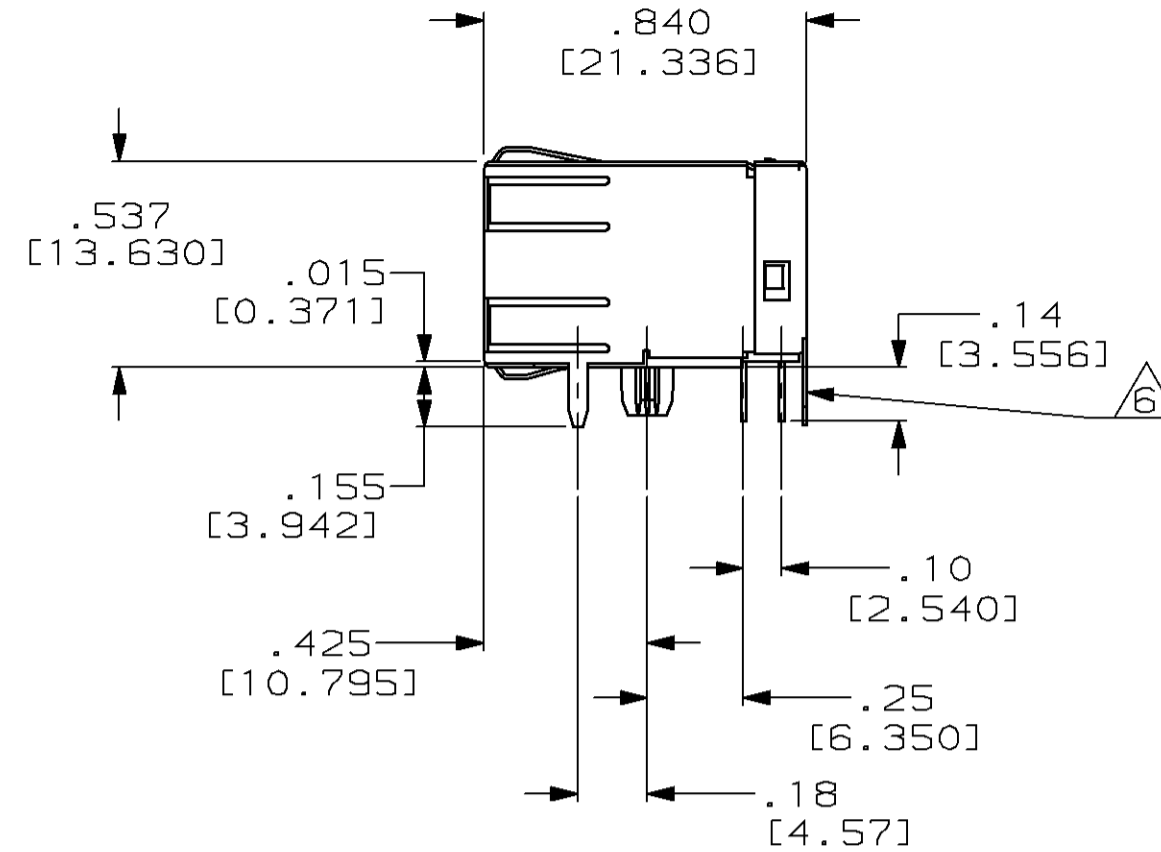
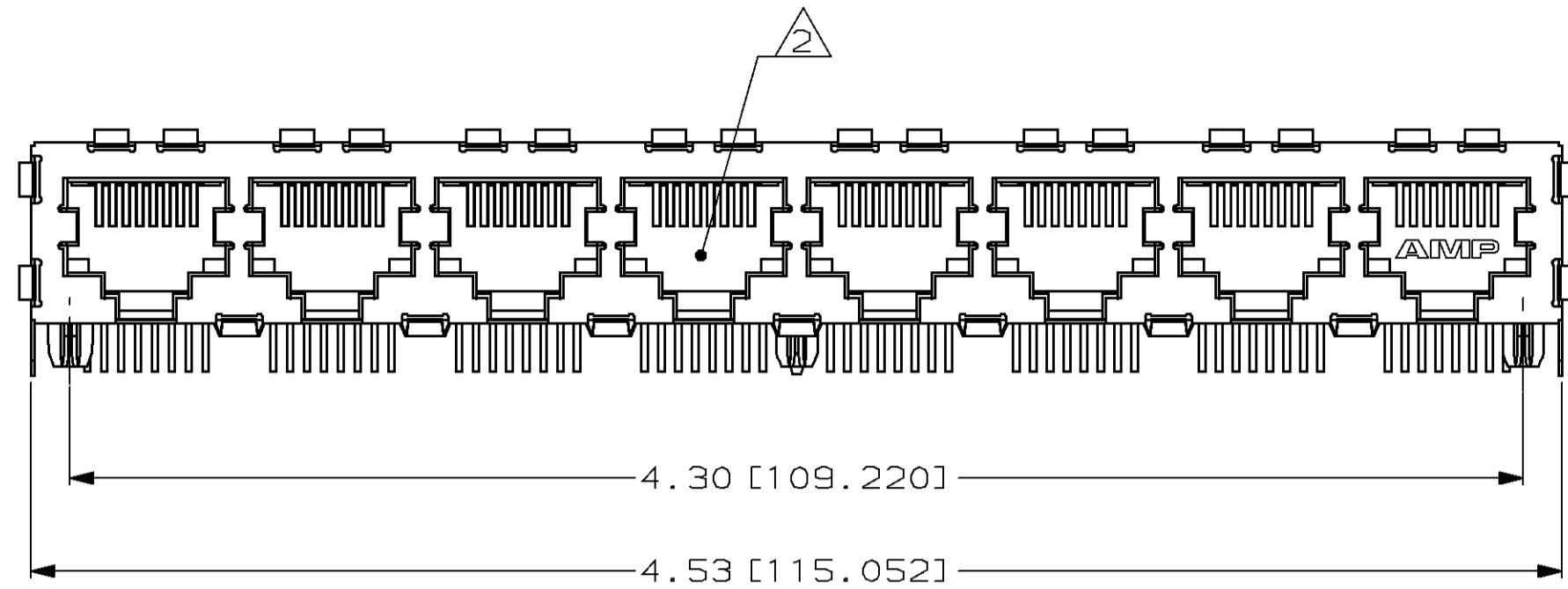
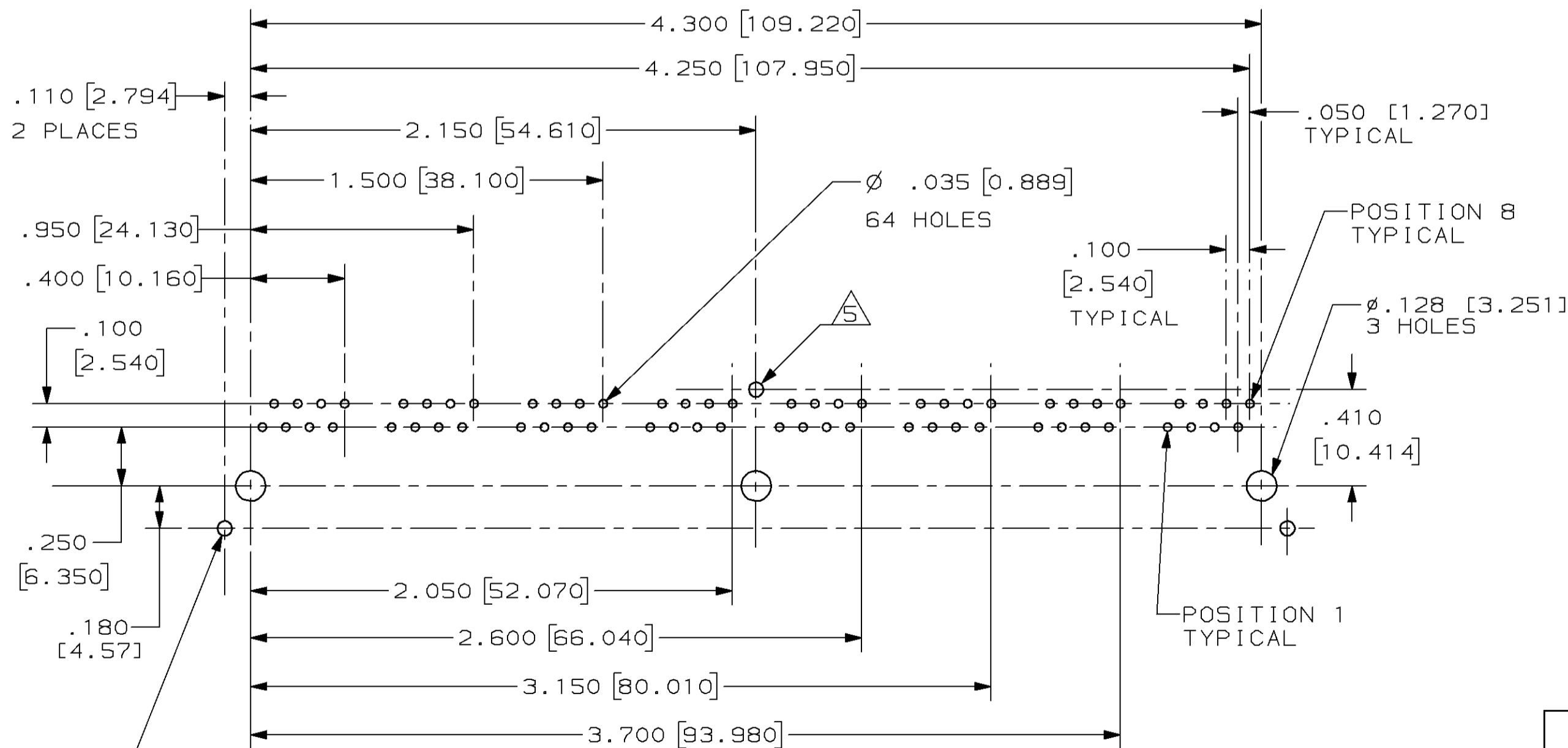


THIS DRAWING IS UNPUBLISHED. RELEASED FOR PUBLICATION  
 BY AMP INCORPORATED. ALL RIGHTS RESERVED.

LOC	DIST	REVISIONS				
		P	LTR	DATE	DWN	APVD
AA	22	A	REV; EC 0502-0734-97	24NOV97	DS	DW



- 1 MATERIAL:  
HOUSING - NYLON, BLACK, UL94V-0.  
OVERMOLDED TERMINAL ARRAY - PBT, BROWN.  
TERMINALS-.013 [0.33] THICK PHOS BRONZE  
PLATED WITH .000050 [1.27μm] THICK HARD  
GOLD IN LOCALIZED AREA AND .000150 [3.81μm]  
THICK TIN-LEAD IN SOLDER AREA OVER .000050  
[1.27μm] THICK NICKEL UNDERPLATE.  
SHIELD-.010 [0.254] THICK COPPER ALLOY  
PLATED WITH .000080 [2.03μm] MINIMUM  
TIN-LEAD OVER .000100 [2.54μm] MINIMUM  
COPPER.
- 2 JACK CAVITY COMFORMS TO FCC RULES AND  
REGULATIONS, PART 68 SUBPART F.
- 3. ALL DIMENSIONS SHOWN ARE NOMINAL UNLESS  
OTHERWISE SPECIFIED.
- 4. ALL DIMENSIONS SHOWN IN BRACKETS [ ] ARE  
IN MILLIMETERS.
- 5 THIS HOLE IS NEEDED FOR -1 ONLY.
- 6 THIS TAB REMOVED ON -2.



SUGGESTED PC BOARD LAYOUT  
 COMPONENT SIDE  
 SEE APPLICATION SPECIFICATION

WITHOUT REAR PC BOARD GROUND TAB	406491-2
WITH REAR PC BOARD GROUND TAB	406491-1
DESCRIPTION	PART NO.

THIS DRAWING IS A CONTROLLED DOCUMENT FOR AMP INCORPORATED. IT IS SUBJECT TO CHANGE AND THE CONTROLLING ENGINEERING ORGANIZATION SHOULD BE CONTACTED FOR THE LATEST REVISION.		DWN V. SLACK 13MAR92	AMP Incorporated Harrisburg, PA 17105-3608
DIMENSIONS: INCHES [mm]		CHK B. FOX 10JUN92	
TOLERANCES UNLESS OTHERWISE SPECIFIED:		APVD G. REED 15JUN92	NAME MODULAR JACK ASSEMBLY, PANEL GROUND, 8 PORT, 8 POSITION, RIGHT ANGLE, SHIELDED, CATEGORY 5
0 PLC ±-		PRODUCT SPEC 108-1392	
1 PLC ±-		APPLICATION SPEC 114-2048	SIZE A2
2 PLC ±.01 [0.254]		WEIGHT -	CAGE CODE 00779
3 PLC ±.005 [0.127]		CUSTOMER DRAWING	DRAWING NO C-406491
4 PLC ±-		SCALE 2:1	SHEET 1 OF 1
ANGLES ±-			REV A
FINISH			

406491

A

单击下面可查看定价，库存，交付和生命周期等信息

[>>TE Connectivity\(泰科\)](#)