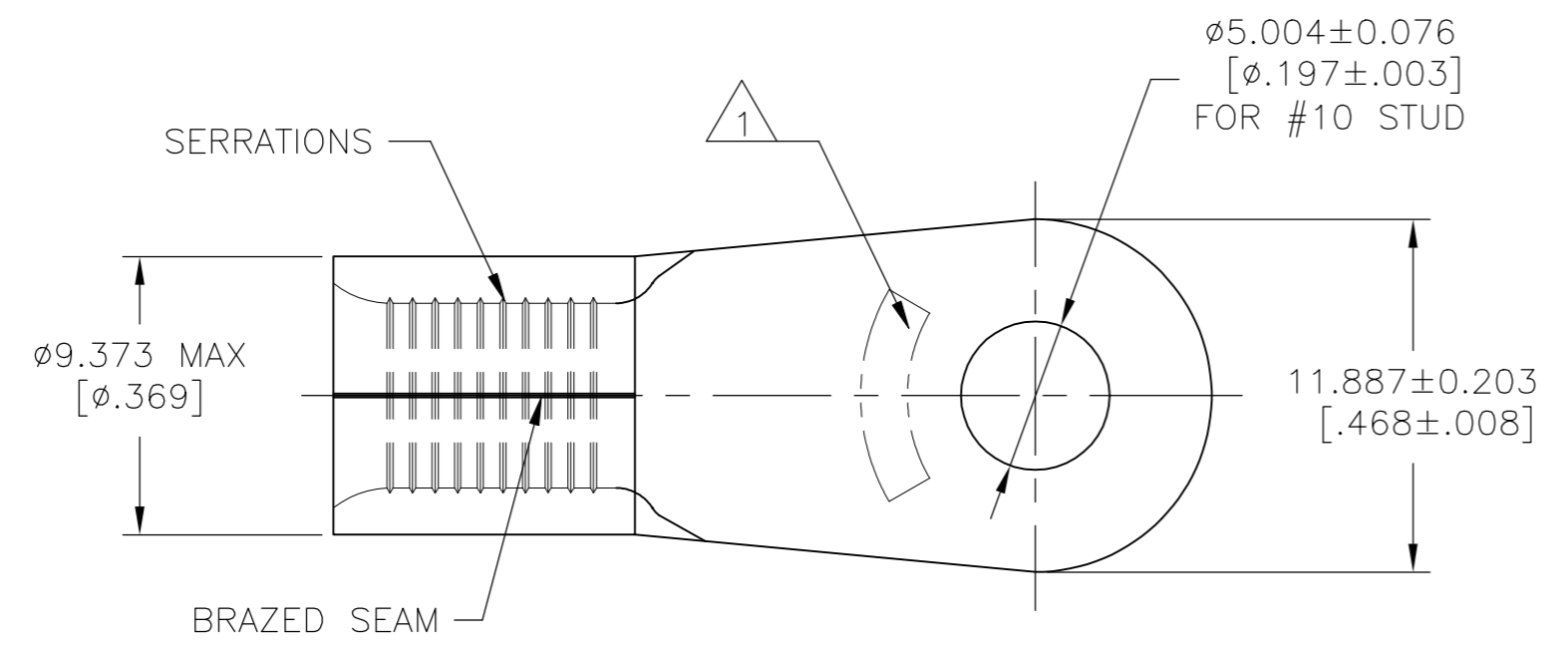


THIS DRAWING IS UNPUBLISHED. RELEASED FOR PUBLICATION
 © COPYRIGHT - TE Connectivity Ltd. ALL RIGHTS RESERVED.

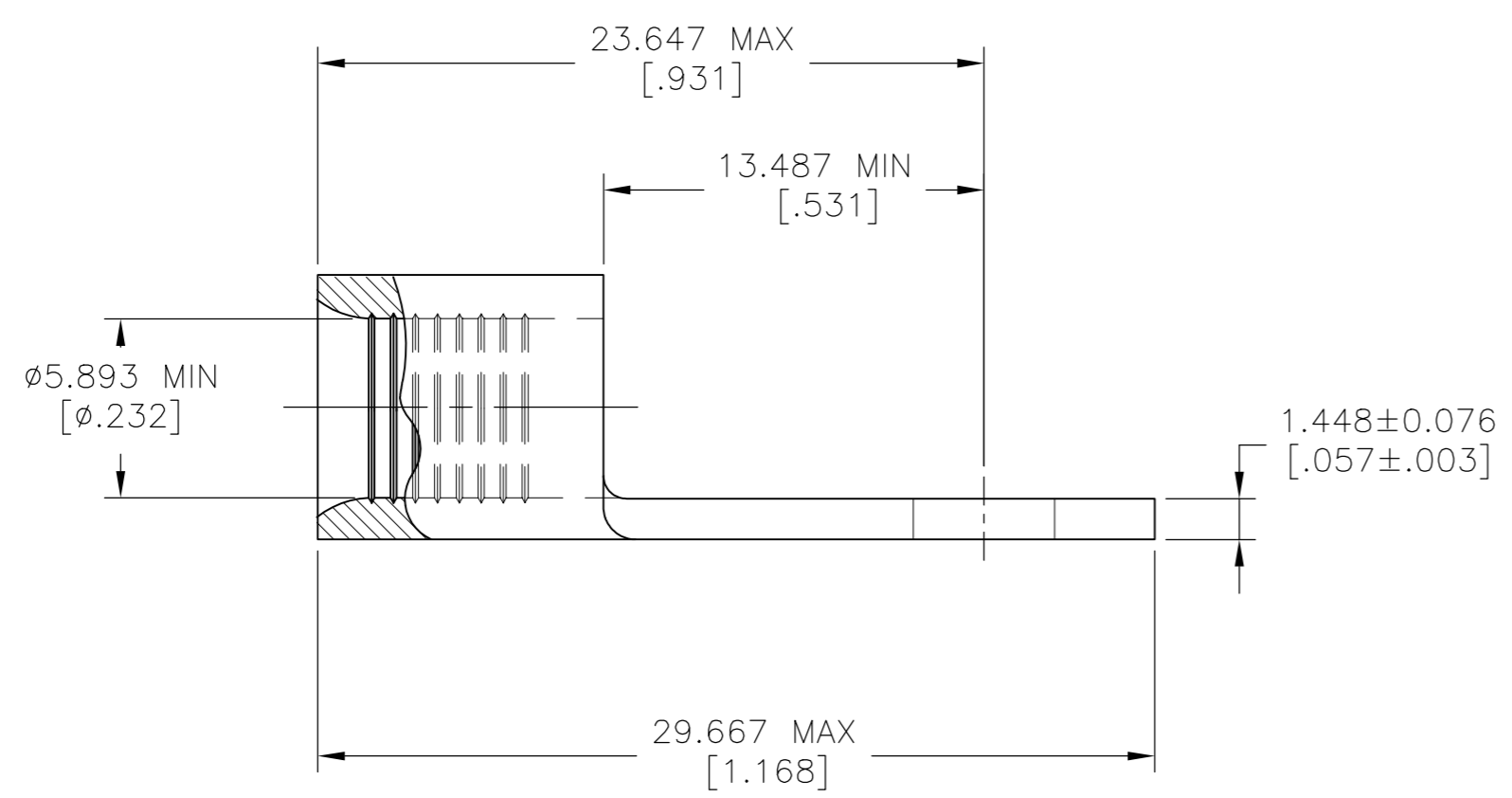
REVISIONS					
P	LTR	DESCRIPTION	DATE	DWN	APVD
	B	REV & REDRAWN PER 0720-0061-93	4-19-93	-	DAP
	B1	REVISED PER ECO-18-002105	27FEB2018	RS	DR



AMP
 WIRE RANGE

6 AWG
 SOLID OR STRANDED

1 STAMP AMP 6* APPROX AS SHOWN



PRELIMINARY	2000	BULK/BAG	323169-1
	100	LOOSE PIECE	323169
	QUANTITY	PACKAGE TYPE	PART NO

AMP INCORPORATED CUSTOMER SERVICE SYSTEMS		THIS DRAWING IS A CONTROLLED DOCUMENT.		DWN TA BRINKMAN 4-19-93		TE Connectivity Ltd.	
FOR ADDITIONAL PRODUCT INFORMATION OR COPIES OF DRAWINGS AND TECHNICAL DOCUMENTS	PRODUCT INFORMATION CENTER 1-800-522-6752	MAX RECOMMENDED OPERATING TEMPERATURE: 343°C [649°F] MAX	DIMENSIONS: mm [INCHES]	TOLERANCES UNLESS OTHERWISE SPECIFIED:	CHK DA PATTERSON 4-19-93	NAME	
FOR APPLICATION	TOOLING ASSISTANCE CENTER 1-800-722-1111	VOLTAGE RATING: NOT APPLICABLE		0 PLC ± -	APVD JL MECKLEY 4-19-93	PRODUCT SPEC	
TOOLING INFORMATION	1-800-722-1111	WIRE CROSS SECTIONAL AREA RANGE, 10.5-16.8mm ² [20,800-33,100] CIR MILS SOLID OR STRANDED		1 PLC ± -	108-32046	APPLICATION SPEC	
FOR ORDER ENTRY	1-800-526-5142		MATERIAL COPPER PER ASTM B-152 ANNEALED	2 PLC ± -	114-2162	SIZE	CAGE CODE
			FINISH NICKEL PLATE 0.00762[.000300] MIN EXT THK PER SAE AMS QQ-N-290	3 PLC ± 0.127[.005]	WEIGHT	A2	00779
				4 PLC ± -	CUSTOMER DRAWING	SCALE	4:1
				ANGLES ± -	RESTRICTED TO	SHEET	1 OF 1
						REV	B1

单击下面可查看定价，库存，交付和生命周期等信息

[>>TE Connectivity\(泰科\)](#)