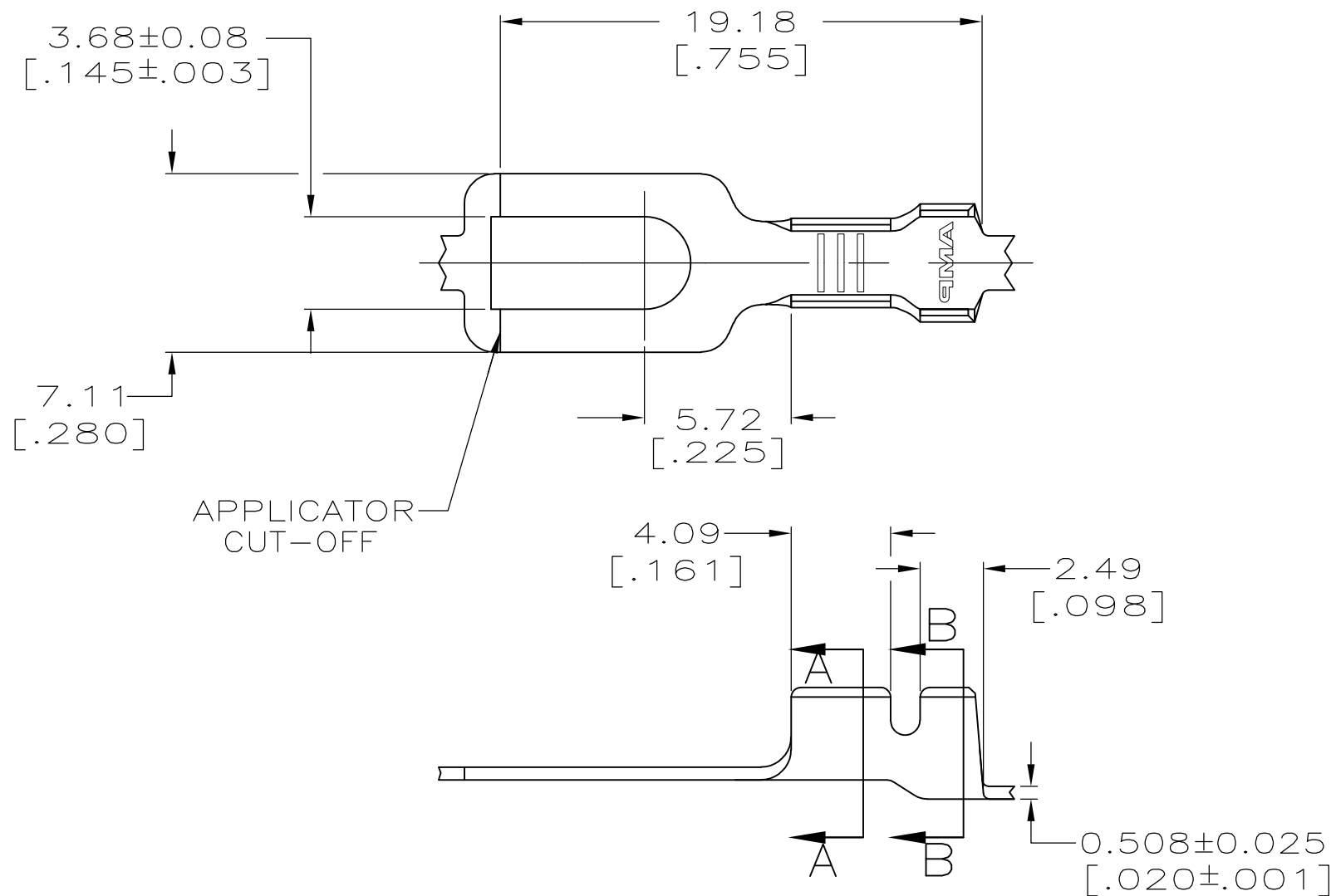
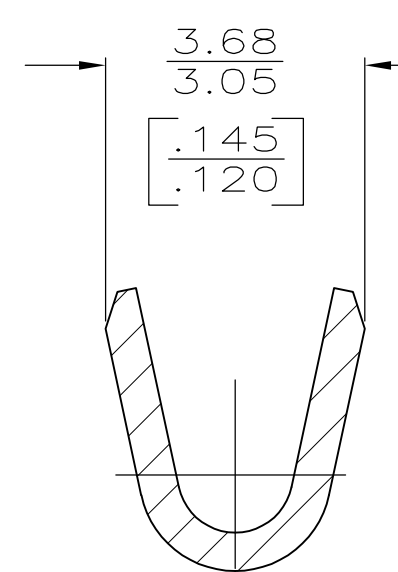


THIS DRAWING IS UNPUBLISHED. RELEASED FOR PUBLICATION
 © COPYRIGHT BY TYCO ELECTRONICS CORPORATION. ALL INTERNATIONAL RIGHTS RESERVED.

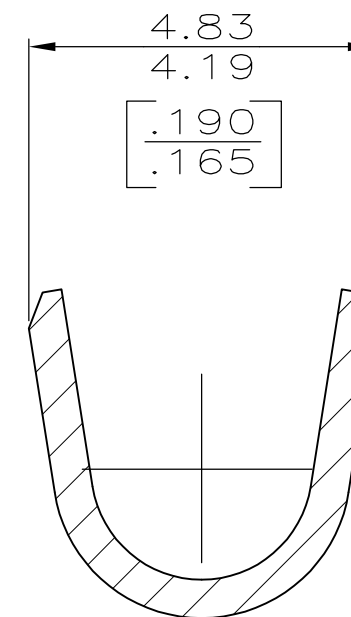
LOC	DIST	REVISIONS			
P	LTR	DESCRIPTION	DATE	DWN	APVD
	J	REVISED PER ECR-10-006099	07JUL10	HMR	PD



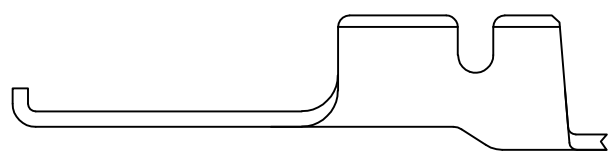
- CONTINUOUS STRIP ON REEL
- WIRE SIZE IS #20-#16 AWG
- INSULATION RANGE IS 2.54-3.56
[.100-.140] DIA



SECTION A-A
SCALE 10:1



SECTION B-B
SCALE 10:1



FLANGED IN APPLICATOR

TIN	60389-2
-	60389-1
FINISH	PART NUMBER

THIS DRAWING IS A CONTROLLED DOCUMENT.		DWN PHILLIP M FORTNEY 16/DEC/97	Tyco Electronics Corporation Harrisburg, PA 17105-3608		
DIMENSIONS: mm [INCHES]		CHK JEFF R RUTH 16/DEC/97	NAME		
TOLERANCES UNLESS OTHERWISE SPECIFIED:		APVD GARY YETTER 16/DEC/97	SPADE		
0 PLC ± -		PRODUCT SPEC	SIZE		
1 PLC ± -		APPLICATION SPEC	CAGE CODE		
2 PLC ± 0.25 [.010]		WEIGHT	DRAWING NO		
3 PLC ± -		CUSTOMER DRAWING	RESTRICTED TO		
4 PLC ± -			A3 00779 C-60389		
ANGLES ± -			SCALE 4:1		
MATERIAL 082 BRASS		FINISH SEE TABLE	SHEET 1 OF 1		
			REV J		

单击下面可查看定价，库存，交付和生命周期等信息

[>>TE Connectivity\(泰科\)](#)