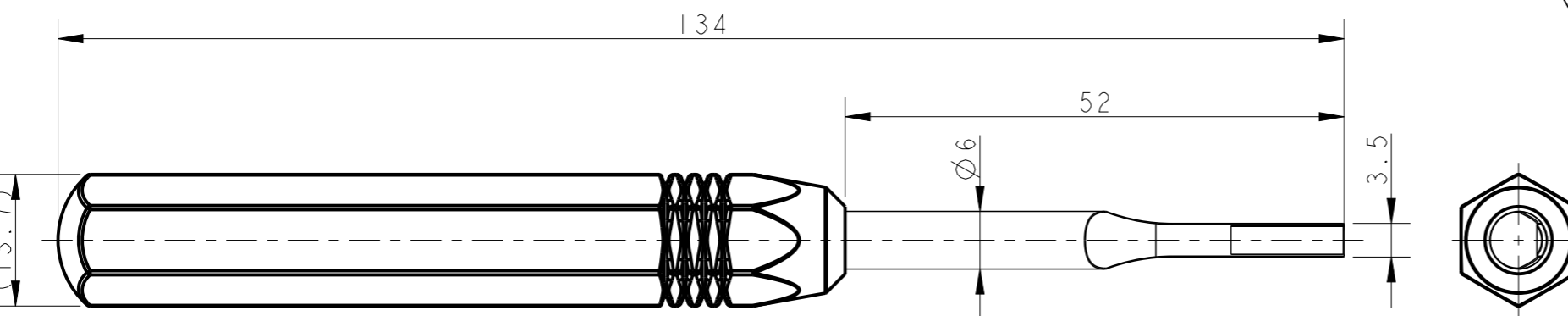
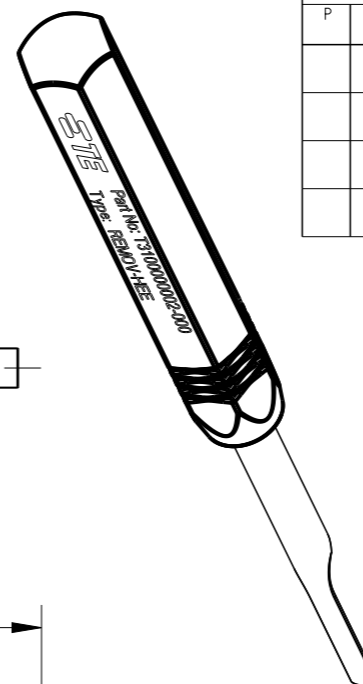
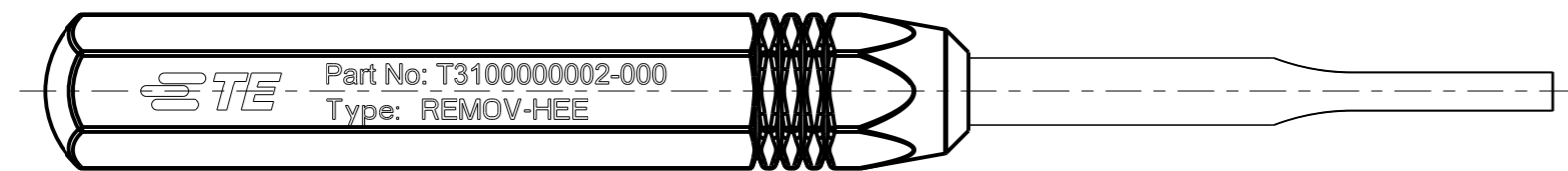
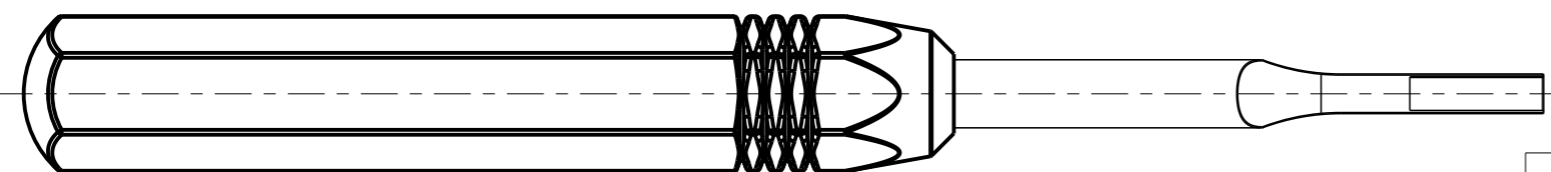


TYPE 1: WITH TE LOGO
类型 1: 带TE LOGO



TYPE 2: THIS TYPE IS SAME AS TYPE 1, ONLY NO LOGO
类型 2: 此类型同类型 1, 只是无LOGO



REVISIONS

| P | LTR | DESCRIPTION | DATE | DWN | APVD |
|---|-----|-----------------|-----------|-----|------|
| | A | INITIAL RELEASE | 19FEB2019 | WQR | CW |
| | | | | | |
| | | | | | |


NOTES:

- TECHNICAL CHARACTERISTICS:
HANDLE MATERIAL: ALUMINIUM ALLOY
TIP MATERIAL: STEEL
- PRODUCT DESIGNED FOR 16A CONTACTS (CEM/CEF, DEM/DEF).
PRODUCT DESIGNED FOR HEE INSERT SERIAL.

注释:

- 技术参数:
手柄材料: 铝合金
尖端材料: 钢
- 产品适用于16A插针(CEM/CEF, DEM/DEF).
产品适用于HEE系列芯件.

| | | | |
|-------------------|------------------------|---|----------------|
| T3100000002-001 | REMOV-HEE, NO MARKING | HEE REMOVE TOOL, NO MARKING HEE 退针器, 未打字 | TYPE 2 类型 2 |
| T3100000002-000 | REMOV-HEE | HEE REMOVE TOOL HEE 退针器 | TYPE 1 类型 1 |
| PART NUMBER 料号 | PART DESCRIPTION 描述 | | TYPE 类型 |

| | | | | | | |
|---|--|------------------------------|--|--------------|--------------------------------|-----------------|
| THIS DRAWING IS A CONTROLLED DOCUMENT. | | DWN 19FEB2019 WENQING RAO |  TE Connectivity NAME REMOV-HEE | | | |
| DIMENSIONS: mm | | CHK 19FEB2019 GINO YAO | | | PRODUCT SPEC | |
| TOLERANCES UNLESS OTHERWISE SPECIFIED: | | APVD 19FEB2019 CHRIS WANG | | | APPLICATION SPEC | |
| 0 PLC ±- 1 PLC ±- 2 PLC ±- 3 PLC ±- 4 PLC ±- ANGLES ±- MATERIAL - FINISH - | | WEIGHT - | SIZE A3 | CAGE CODE - | DRAWING NO G-T310000000200X | RESTRICTED TO - |
| CUSTOMER DRAWING | | | SCALE 3:2 | SHEET 1 OF 1 | REV A | |

单击下面可查看定价，库存，交付和生命周期等信息

[>>TE Connectivity\(泰科\)](#)