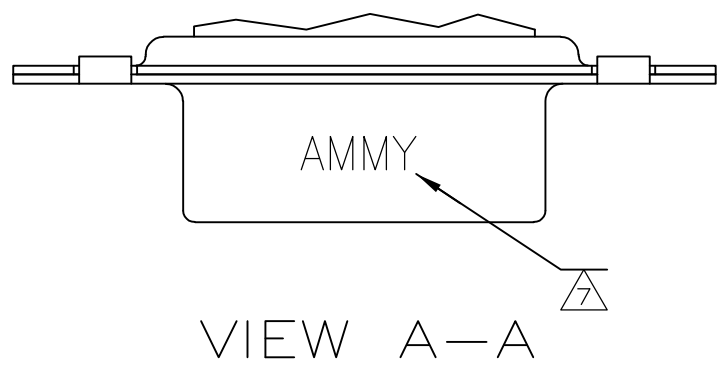
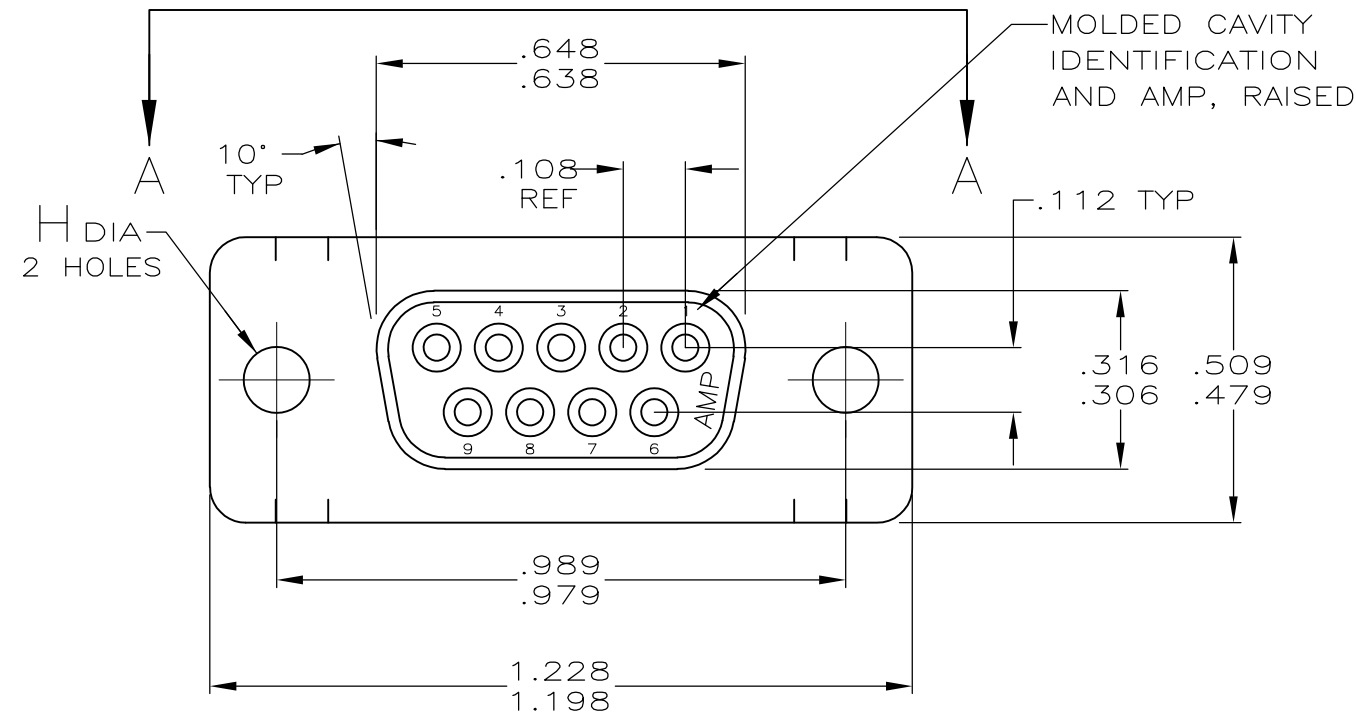
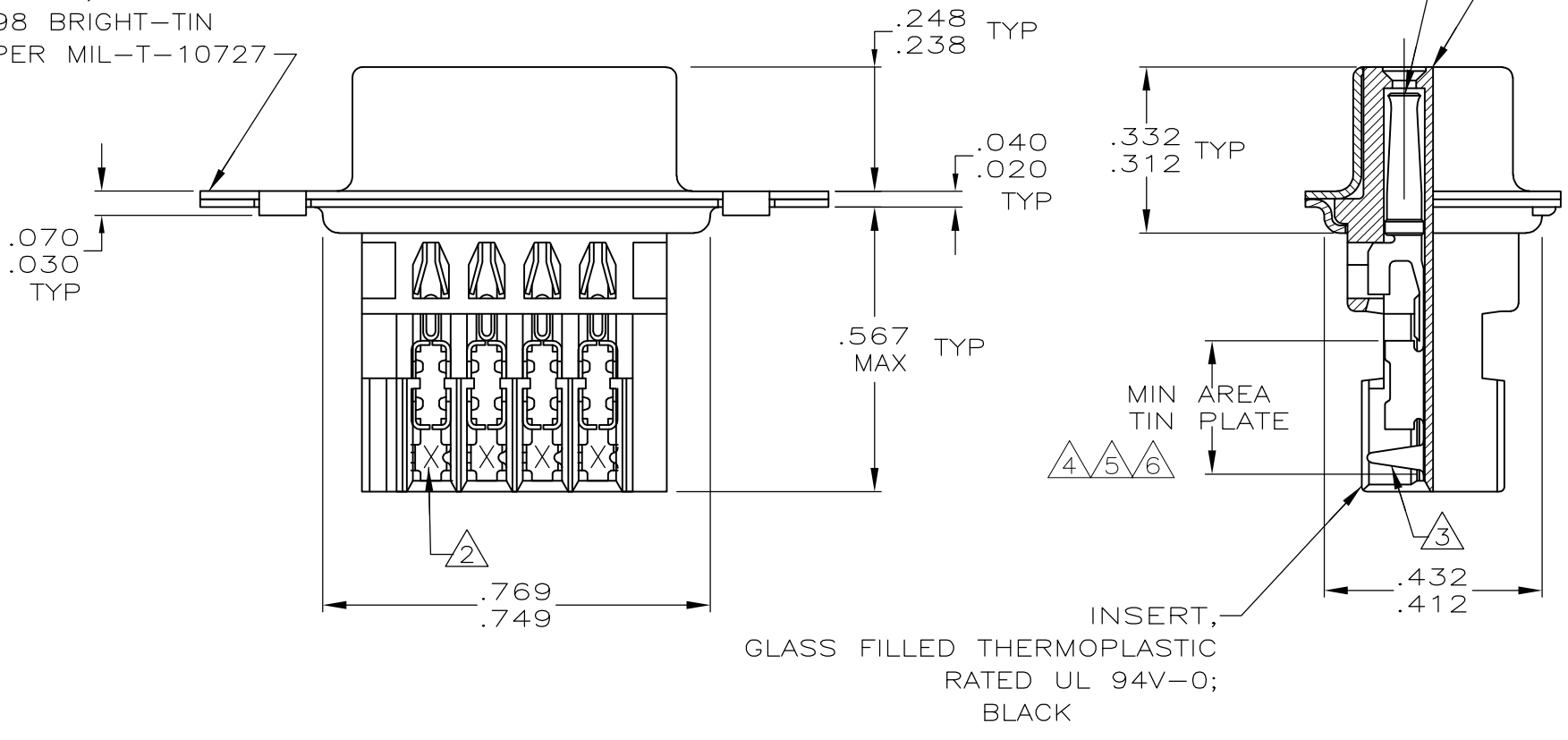


THIS DRAWING IS UNPUBLISHED. RELEASED FOR PUBLICATION  
 © COPYRIGHT - By - ALL RIGHTS RESERVED.

LOC	DIST	REVISIONS					
GP	00	P	LTR	DESCRIPTION	DATE	DWN	APVD
		M3		REVISED PER ECO-11-004835	11MAR11	RK	HMR



SHELL, STEEL, PER QQ-S-698 BRIGHT-TIN PLATED PER MIL-T-10727



- ① HOUSING FULLY LOADED WITH CONTACTS.
- ② NUMBER ON CONTACT INDICATES WIRE RANGE.
- ③ CONTACT INSULATION RANGE: .060 MAXIMUM O.D.
- ④ .000030 GOLD ON MATING END FOR .100 MIN LENGTH. .000100-.000200 BRIGHT TIN OR BRIGHT TIN-LEAD IN AREA SHOWN. .000050 NICKEL UNDERPLATE ON ENTIRE CONTACT.
- ⑤ .000001 MIN GOLD ON MATING END FOR .100 MIN LENGTH. .000100-.000200 BRIGHT TIN OR BRIGHT TIN-LEAD IN AREA SHOWN. .000030 NICKEL UNDERPLATE ON ENTIRE CONTACT.
- ⑥ .000050 MIN GOLD FOR A LENGTH OF .100 MIN FROM MATING END. .000100 MIN TIN OR TIN-LEAD IN TIN PLATE AREA. BOTH OVER .000050 MIN NICKEL.
- ⑦ SPECIAL DATE CODE IN THIS APPROXIMATE AREA. A; MM = MONTH; Y = LAST DIGIT OF YEAR.
- ⑧ SUPERSEDED BY 745491-5
- ⑨ SUPERSEDED BY 745491-3
- ⑩ SUPERSEDED BY 745491-1
- ⑪ .000030 GOLD ON MATING END FOR .100 MIN LENGTH. .000100-.000200 MATTE TIN IN AREA SHOWN. .000050 NICKEL UNDERPLATE ON ENTIRE CONTACT.
- ⑫ .000001 MIN GOLD ON MATING END FOR .100 MIN LENGTH. .000100-.000200 MATTE TIN IN AREA SHOWN. .000030 NICKEL UNDERPLATE ON ENTIRE CONTACT.

STANDARD	PLC	FINISH	CONTACT FINISH	AWG WIRE RANGE	PART NUMBER
STANDARD	.125 .115	⑪	3	#20-22	1-745491-9
STANDARD	.125 .115	⑫	2	#22-26	1-745491-8
STANDARD	.125 .115	⑪	2	#22-26	1-745491-7
STANDARD	.125 .115	⑪	1	#26-30	1-745491-6
SMALL PACK	.125 .115	⑤	2	#22-26	⑧ 1-745491-5
⑦ OBSOLETE	STANDARD .120	⑥	2	#22-26	1-745491-3
OBSOLETE			3	#20-22	1-745491-2
OBSOLETE	STANDARD .156 .146	⑤	2	#22-26	1-745491-1
OBSOLETE			1	#26-30	1-745491-0
OBSOLETE			3	#20-22	745491-9
OBSOLETE	STANDARD .156 .146	④	2	#22-26	745491-8
OBSOLETE			1	#26-30	745491-7
OBSOLETE			3	#20-22	⑨ 745491-6
OBSOLETE	STANDARD .125 .115	⑤	2	#22-26	745491-5
OBSOLETE			1	#26-30	⑩ 745491-4
OBSOLETE			3	#20-22	745491-3
OBSOLETE	STANDARD .125 .115	④	2	#22-26	745491-2
OBSOLETE			1	#26-30	745491-1
PACKAGING	H	CONTACT FINISH	②	AWG WIRE RANGE	PART NUMBER

THIS DRAWING IS A CONTROLLED DOCUMENT.

DIMENSIONS: INCHES	TOLERANCES UNLESS OTHERWISE SPECIFIED:	DWN L. VARELA - DOCK5 CHK J. GERACE APVD M. WALMSLEY 11-16-04	NAME
0 PLC ± - 1 PLC ± - 2 PLC ± - 3 PLC ± .005 4 PLC ± - ANGLES ± 2°	FINISH	PRODUCT SPEC 108-40011 APPLICATION SPEC 114-40002	SIZE CAGE CODE DRAWING NO
MATERIAL SEE CALL OUT	FINISH SEE TABLE	WEIGHT -	A2 00779 C=745491
CUSTOMER DRAWING		SCALE 4:1	SHEET 1 OF 1 REV M3

TE Connectivity  
 RECEPTACLE ASSEMBLY, METAL SHELL, SIZE 1, 9 POSITION, SERIES HDE-20 FOR MASS TERMINATION

单击下面可查看定价，库存，交付和生命周期等信息

[>>TE Connectivity\(泰科\)](#)

[>>点击查看相关商品](#)