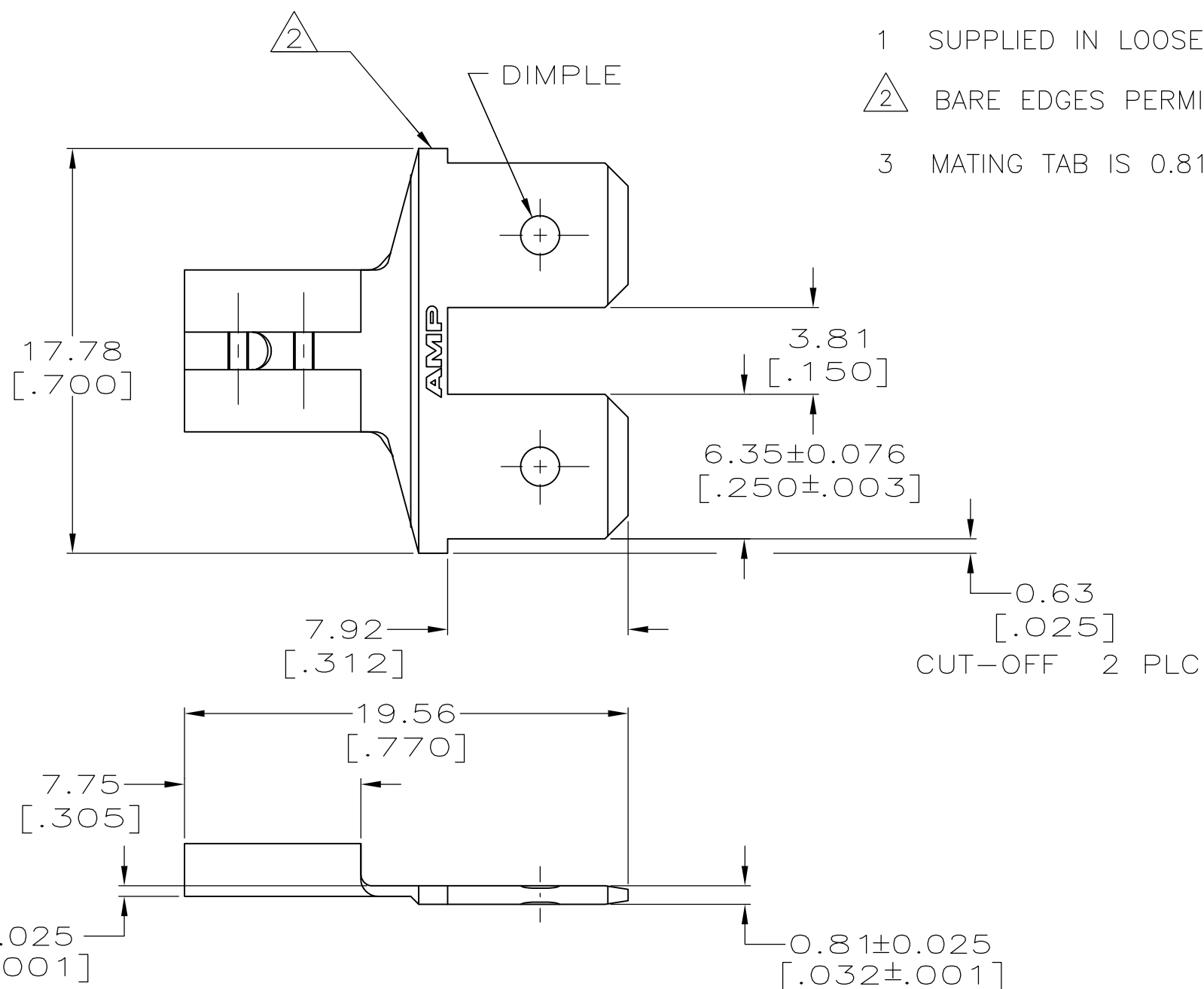



THIS DRAWING IS UNPUBLISHED. RELEASED FOR PUBLICATION
 © COPYRIGHT - By - ALL RIGHTS RESERVED.

LOC	DIST	REVISIONS					
AF	50	P	LTR	DESCRIPTION	DATE	DWN	APVD
		D		REVISED PER ECR-12-013518	23NOV2012	KH	PD



- 1 SUPPLIED IN LOOSE PIECE.
- ② BARE EDGES PERMITTED
- 3 MATING TAB IS 0.81±0.025 [.032±.001] THK.

1217344-1
 PART NO.

THIS DRAWING IS A CONTROLLED DOCUMENT.		DWN	JR RUTH	21FEB00	 TE Connectivity											
DIMENSIONS: mm [INCHES]		CHK	MS FEHER	21FEB00												
TOLERANCES UNLESS OTHERWISE SPECIFIED:		APVD	P DESANTIS	21FEB00												
<table border="0"> <tr><td>0 PLC</td><td>± -</td></tr> <tr><td>1 PLC</td><td>± -</td></tr> <tr><td>2 PLC</td><td>± 0.25 [.010]</td></tr> <tr><td>3 PLC</td><td>± -</td></tr> <tr><td>4 PLC</td><td>± -</td></tr> <tr><td>ANGLES</td><td>± -</td></tr> </table>		0 PLC	± -	1 PLC		± -	2 PLC	± 0.25 [.010]	3 PLC	± -	4 PLC	± -	ANGLES	± -	PRODUCT SPEC	
0 PLC	± -															
1 PLC	± -															
2 PLC	± 0.25 [.010]															
3 PLC	± -															
4 PLC	± -															
ANGLES	± -															
MATERIAL BRASS		FINISH TIN		ADAPTER, RECEPTACLE & TAB, FASTON, 6.35 [.250] SERIES												
		WEIGHT	-		SIZE	A3	CAGE CODE	00779	DRAWING NO	C-1217344	RESTRICTED TO	-				
		CUSTOMER DRAWING			SCALE	4:1	SHEET	1 OF 1	REV	D						

单击下面可查看定价，库存，交付和生命周期等信息

[>>TE Connectivity\(泰科\)](#)