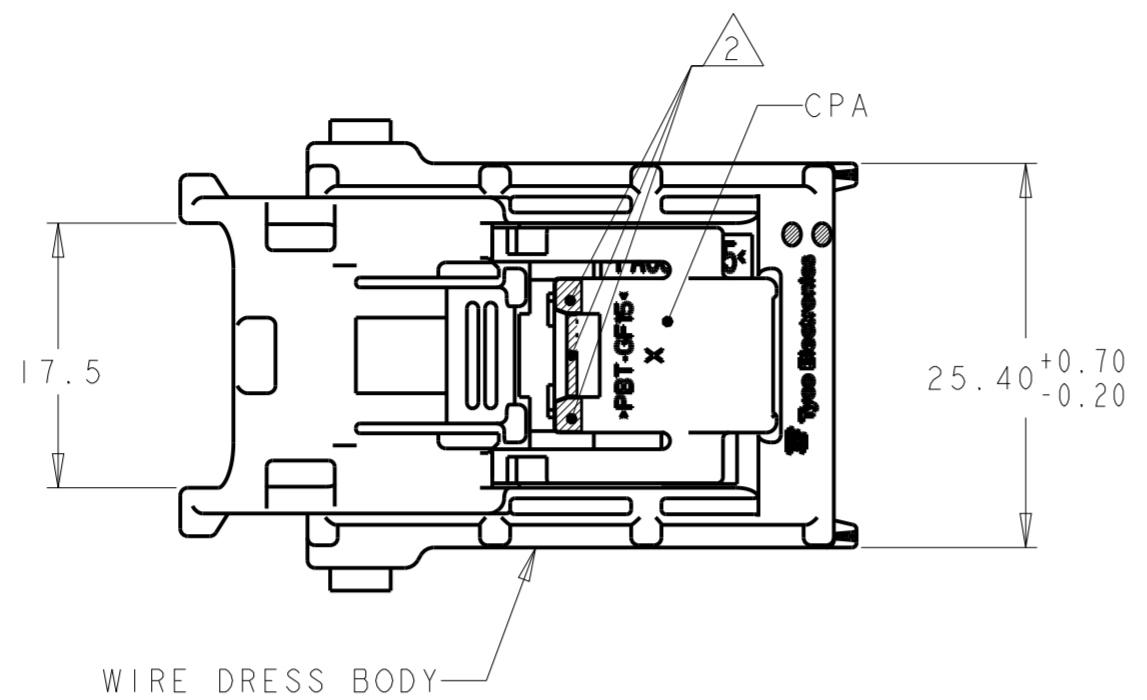
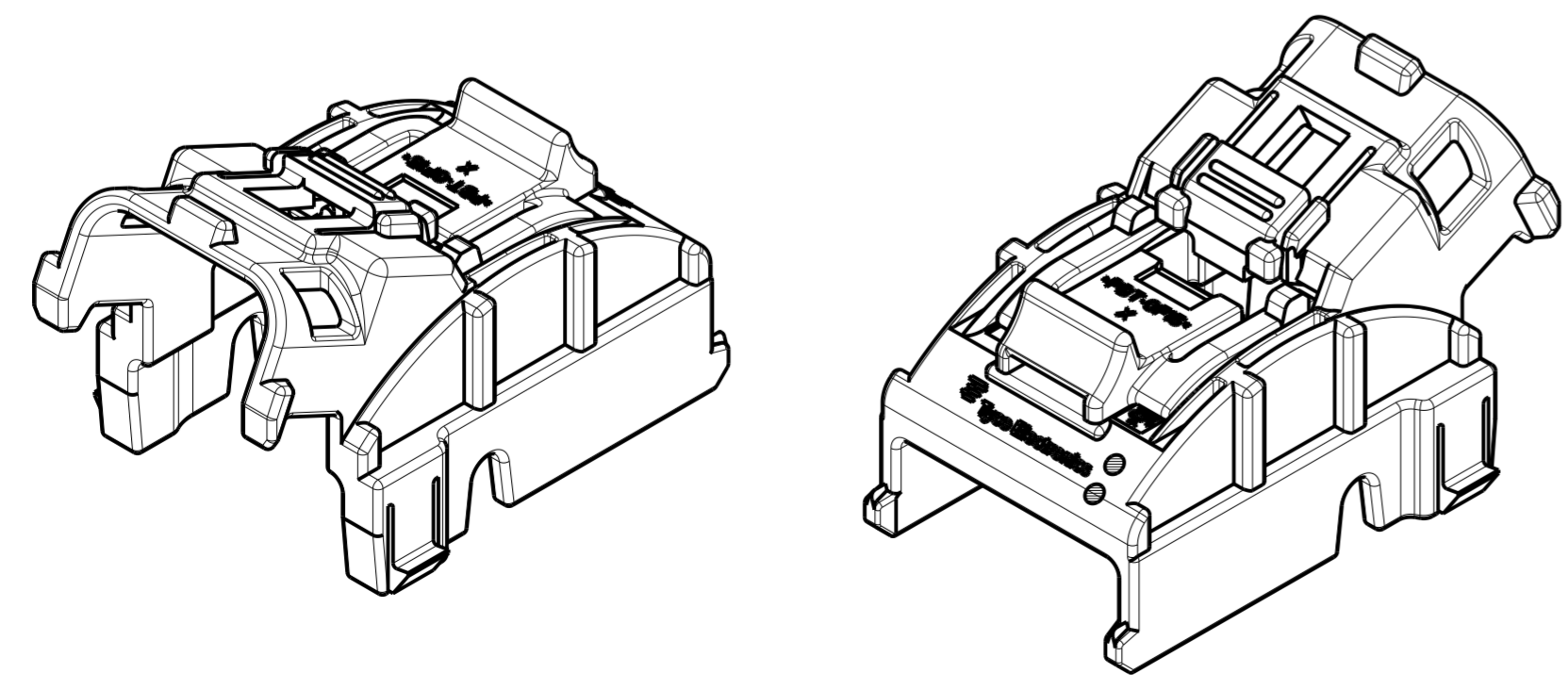
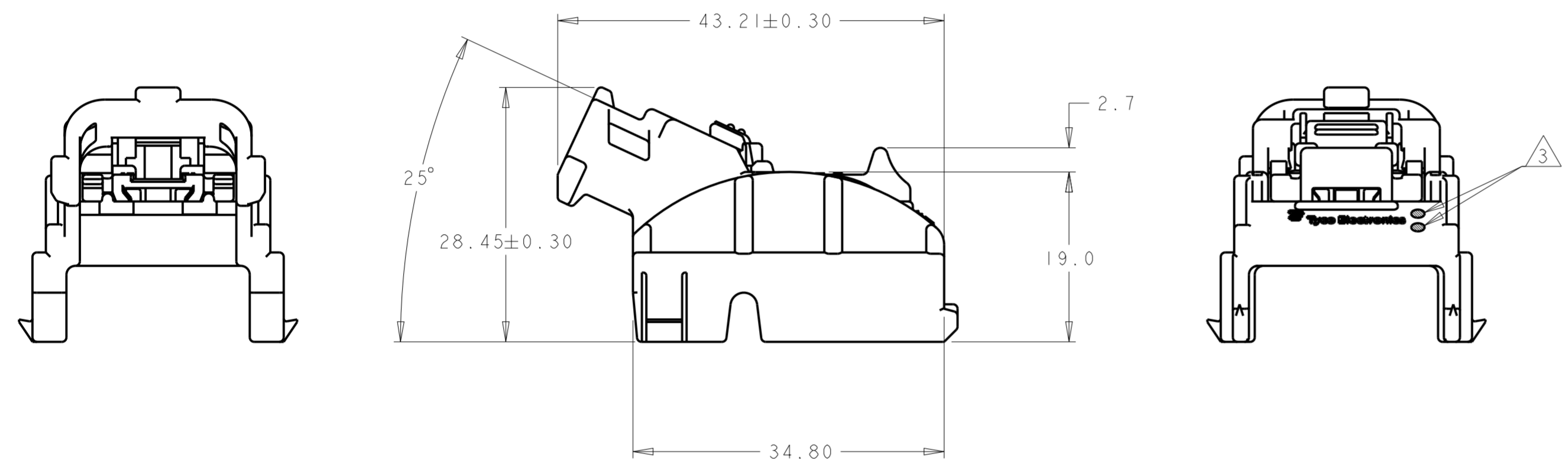


THIS DRAWING IS UNPUBLISHED. RELEASED FOR PUBLICATION 20
 © COPYRIGHT 20 BY - ALL RIGHTS RESERVED.

| REVISIONS | | | | | |
|-----------|-----|---------------------------|-----------|-----|------|
| P | LTR | DESCRIPTION | DATE | DWN | APVD |
| C | | REVISED PER ECO-12-010406 | 04JUN2012 | DLD | WEM |
| CI | | REVISED PER ECO-14-004807 | 28MAR2014 | DLD | WEM |



- 1 MATERIAL:
 WIRE DRESS BODY - NYLON 6/6, 35% GLASS-FILLED, BLACK
 CPA - PBT 15% GLASS FILLED, RED
- 2 COLOR STRIPE APPLIED IN THESE AREAS. WAVY OR IRREGULAR SURFACES AND EDGES ALLOWED.
- 3 APPROXIMATE 1.5mm OVAL RAISED 0.2mm TO IDENTIFY COVERS COMPLYING TO REVISION "C" LOCATED IN EITHER AREA OF COMPANY LOGO AS SHOWN.
- 4 PACKAGING QUANTITY - 250 PIECES PER BOX
- 5 PACKAGING QUANTITY - 500 PIECES PER BOX



| | | | |
|---|----------|---------------|-------------|
| 5 | 13503707 | WHITE 2 | 5-776793-2 |
| 5 | 19151251 | NONE | 5-776793-1 |
| 4 | 13503707 | WHITE 2 | 776793-2 |
| 4 | 19151251 | NONE | 776793-1 |
| | GM P/N | COLOR MARKING | PART NUMBER |

| | | | | |
|--|--|--|---|---------------------------|
| THIS DRAWING IS A CONTROLLED DOCUMENT. | | DWN RUSTY WORTHINGTON 31OCT2005 | TE Connectivity | |
| | | CHK JEREMY PATTERSON 31OCT2005 | | |
| | | APVD JEREMY PATTERSON 31OCT2005 | NAME ASSEMBLY COVER, WIRE DRESS, 24 POSITION PLUG, SDM | |
| DIMENSIONS: mm | | TOLERANCES UNLESS OTHERWISE SPECIFIED: | PRODUCT SPEC | RESTRICTED TO |
| | | 0 PLC ± 1 PLC ±0.3 2 PLC ±0.20 3 PLC ± 4 PLC ± | APPLICATION SPEC | SIZE CAGE CODE DRAWING NO |
| MATERIAL | | ANGLES ±2° FINISH | WEIGHT | A20779 C-776793 |
| | | | CUSTOMER DRAWING | SCALE 2:1 SHEET OF REV C1 |

单击下面可查看定价，库存，交付和生命周期等信息

[>>TE Connectivity\(泰科\)](#)