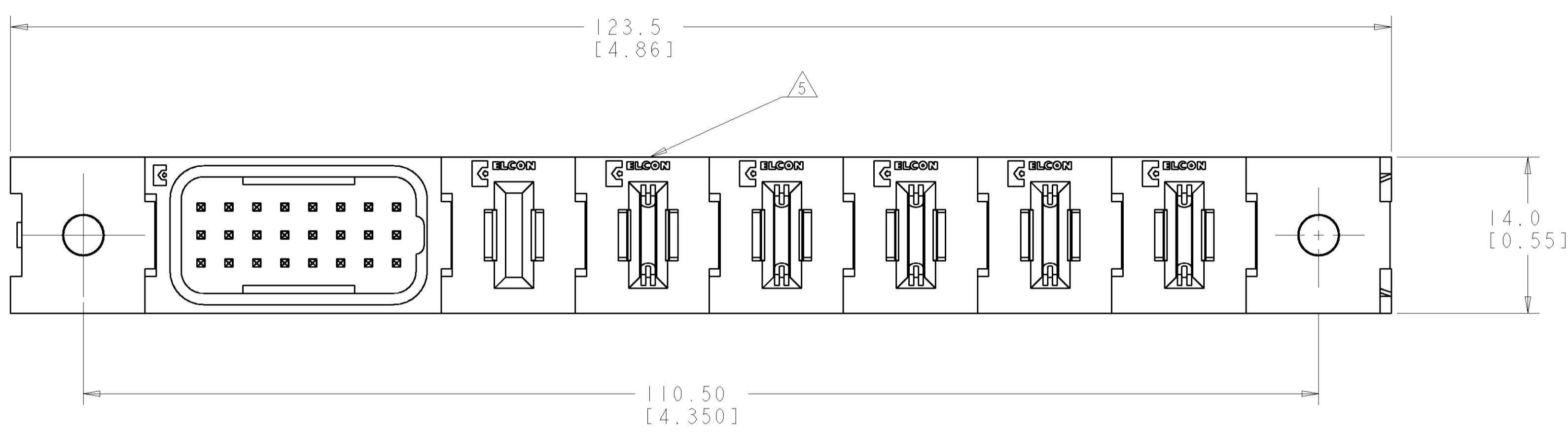


LOC	DIST	REVISIONS					
GP	00	P	LTR	DESCRIPTION	DATE	DWN	APVD
		A		RELEASED	29AUG2006	RG	SF
		B		REV PER ECO-06-021611	12SEP2006	RG	SF
		C		REV PER ECO-07-004497	02MAR2007	RG	SF



1. PART NUMBER CHANGES AND OR DESIGN CHANGES AFFECTING ITEM INTERCHANGEABILITY REQUIRE PRIOR TYCO APPROVAL AND AUTHORIZATION BY REVISION TO THIS DRAWING.

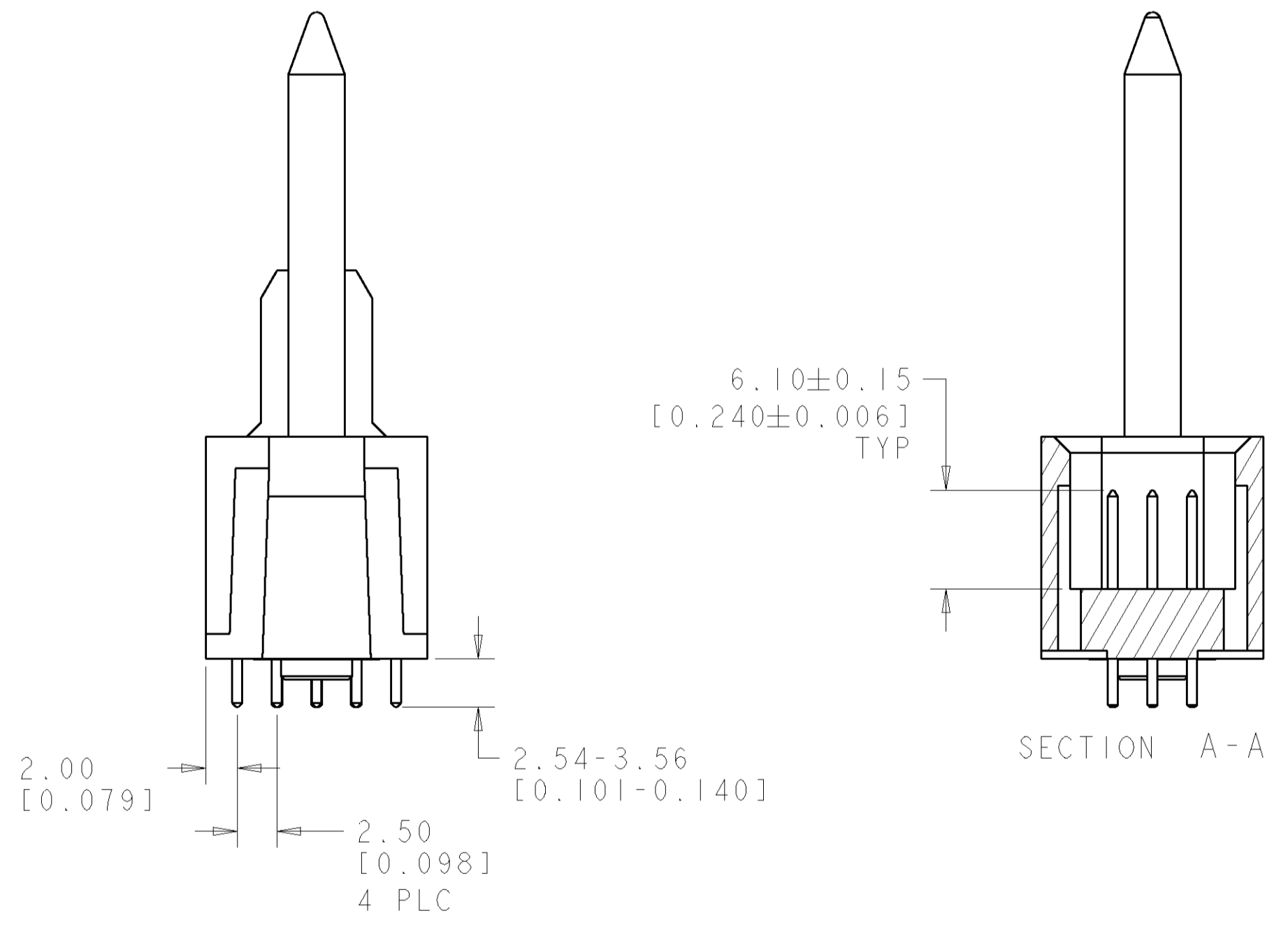
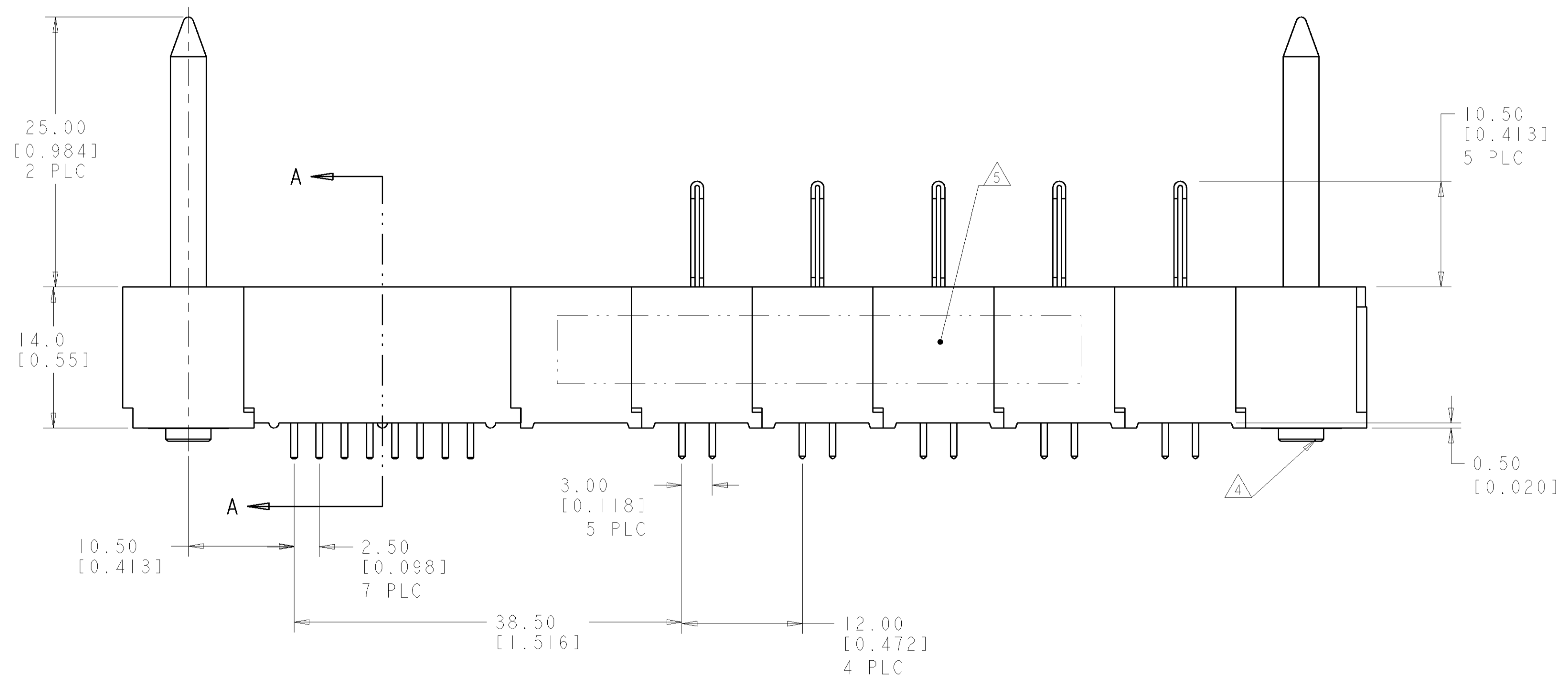
△ MATERIAL:
 INSULATORS - THERMOPLASTIC, GLASS REINFORCED, COLOR: BLACK
 UL94V-0 FLAMMABILITY RATED.
 POWER CONTACTS - PHOSPHOR BRONZE ALLOY,
 COPPER ALLOY
 SOLDER SIGNAL PIN - BRASS ALLOY
 CROWN BAND-BERYLLIUM COPPER ALLOY
 GUIDE PIN-BRASS COPPER ALLOY

△ FINISH:
 CONTACTS - GOLD PLATE .000030" INCH MIN. THK., OVER NICKEL
 .000050" INCH MIN. THK
 SOLDER TAILS, TIN .000100" INCH MIN. THK. OVER NICKEL
 .000050" MIN THK.
 GUIDE PIN - SILVER PLATE .000200" MIN THK. OVER
 NICKEL .000040" MIN THK.

△ ACTIVE GUIDE PINS ACCEPT #4-40 SCREWS, (USER SUPPLIED)

△ ITEMS PROVIDED TO THIS SPECIFICATION TO BE PERMANENTLY IDENTIFIED PER THE FOLLOWING IDENTIFIER LABEL

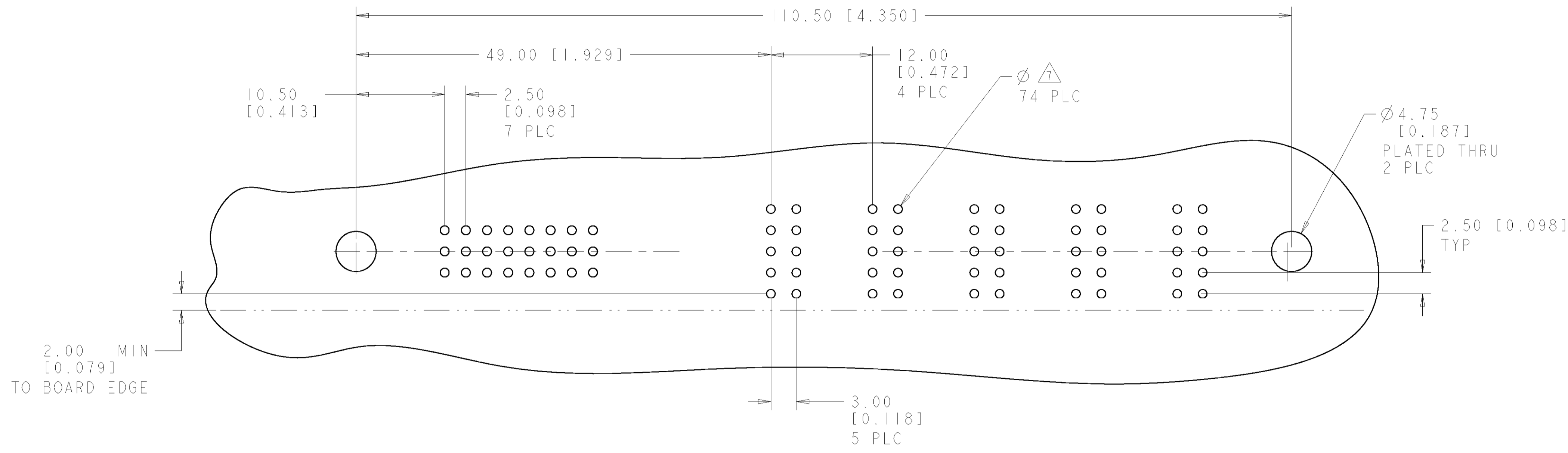
YEAR WEEK
 TYCO PART NO. DATE CODE (e.g. 0106)
 XXXXXXXX-X XXXX



ELCON FLATPAQ

DIMENSIONS: mm [INCHES]		TOLERANCES UNLESS OTHERWISE SPECIFIED:		DWN R. GRZYBOWSKI 17AUG06		AS SHOWN 1926220-1	
0 PLC	±	0.3 (0.013)		CHK S. FLICKINGER 17AUG06	Tyco Electronics Harrisburg, PA 17105-3608		PART NUMBER
1 PLC	±	0.15 (0.005)		APVD S. FLICKINGER 17AUG06	NAME		
2 PLC	±	0.15 (0.005)		PRODUCT SPEC		STRAIGHT PIN CONNECTOR, SOLDER TAILS FLATPAQ	
3 PLC	±	0.15 (0.005)		APPLICATION SPEC		SIZE CAGE CODE DRAWING NO RESTRICTED TO	
4 PLC	±	0.001		WEIGHT		A 100779 C=1926220	
ANGLES	±	5		CUSTOMER DRAWING		SCALE 2:1 SHEET 1 OF 3 REV C	

LOC	DIST	REVISIONS			
P	LTR	DESCRIPTION	DATE	DRN	APVD
-	-	SEE SHEET 1	-	-	-

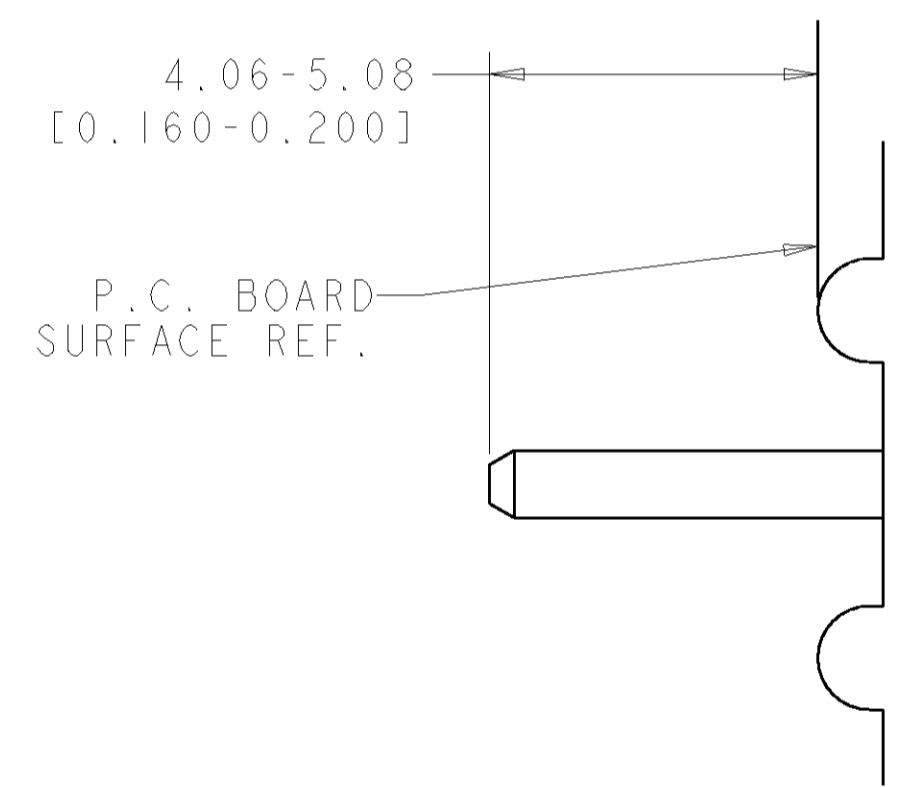


PRINTED CIRCUIT LAYOUT
 COMPONENT SIDE

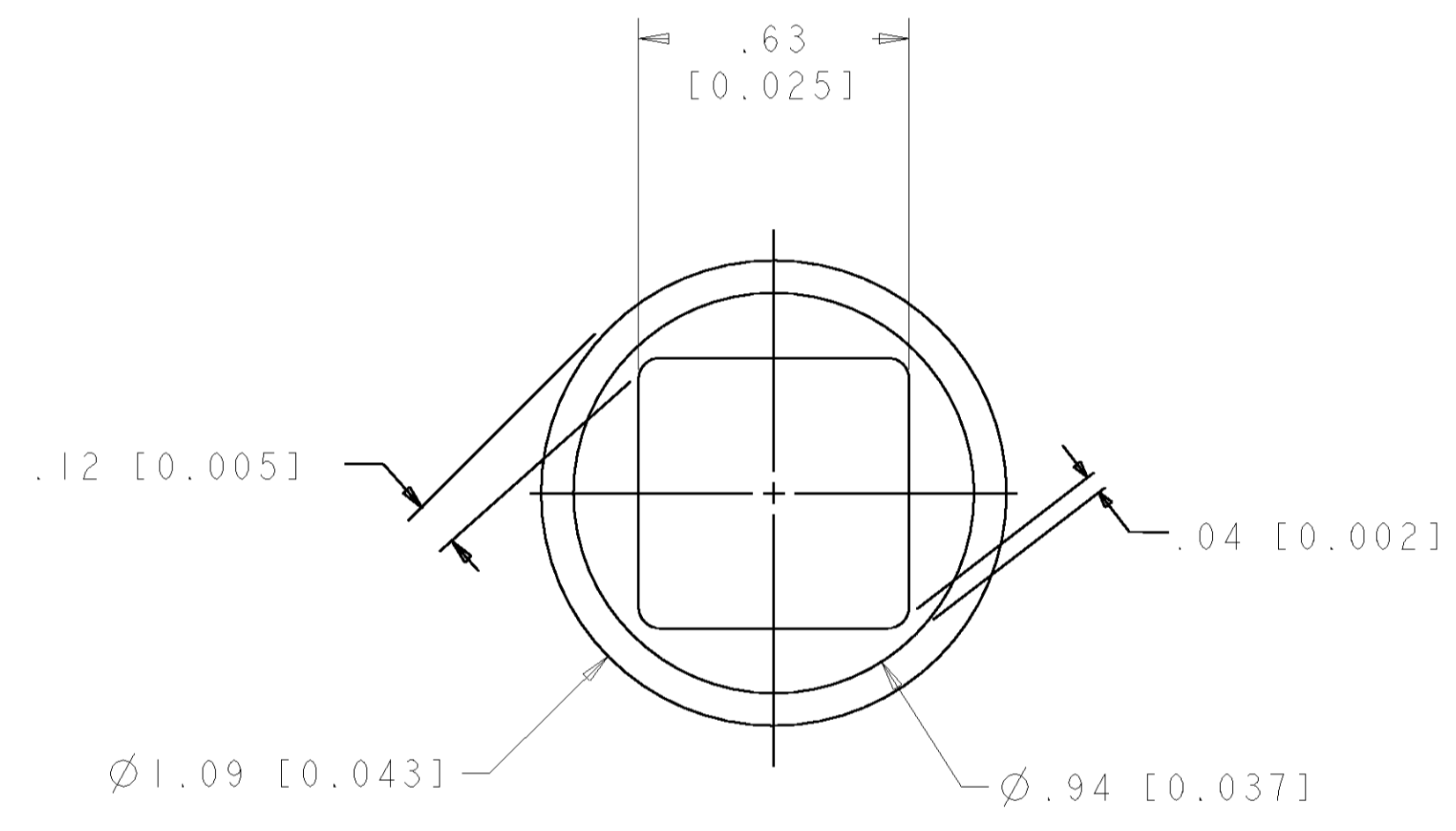
CONNECTOR	CATALOG MODULE #	QTY	SIZE NO.	CONTACT QTY	MATING PIN	MAX. CURRENT (PER CONTACT)	CONTACT SPACING	VOLTAGE RATING
PIN	FP117	5	8	5	1.25 X 7.00 [.049 X .276]	35 amps	7.50 [.2953]	250 VOLTS
	FP300	1	22	24	.64 [.025] SQ.	3 AMPS	2.50 [.0984]	125 VOLTS
	FP517	2	ACTIVATED STRAIGHT GUIDE PIN					

<small>THE DIMENSIONS OF THIS DRAWING ARE BASED ON THE DIMENSIONS OF THE COMPONENTS AS SHOWN. DIMENSIONS OF THE COMPONENTS SHOULD BE CONTACTED FOR THE LATEST POSITION.</small>		DRN: B. GRZYBOWSKI 17AUG06 CHK: S. FLICKINGER 17AUG06 APVD: S. FLICKINGER 17AUG06	tyco Tyco Electronics Harrisburg, PA 17105-3608
DIMENSIONS: mm [INCHES]	TOLERANCES UNLESS OTHERWISE SPECIFIED: 0 PLC ± 1 PLC ±0.3 (0.013) 2 PLC ±0.15 (0.005) 3 PLC ±0.013 4 PLC ±0.001 ANGLES ±.5	PRODUCT SPEC: APPLICATION SPEC:	NAME: STRAIGHT PIN CONNECTOR, SOLDER TAILS, FLATPAQ SIZE: A 00779 C=1926220 RESTRICTED TO:
MATERIAL: -	FINISH: -	WEIGHT: -	CUSTOMER DRAWING
SCALE: 2:1		SHEET: 2 OF 3	REV: C

LOC	DIST	REVISIONS					
GP	00	P.	LTR	DESCRIPTION	DATE	DRN	APVD
-	-	-	-	SEE SHEET 1	-	-	-



6. SOLDER PIN DETAIL
SCALE 10 : 1



⚠ SOLDER TERMINATION AREA
 SCALE 40:1
 RECOMMENDED PRINTED CIRCUIT SOLDER HOLE
 FINISHED HOLE: Ø1.02 [0.040] ±.008 [0.0003]
 DRILLED HOLE: Ø1.15 [0.0453] ±.013 [0.0005]
 COPPER PLATE: .025 [0.0010] MIN
 TIN PLATE: .008 [0.0003] MIN. (PER SURFACE)

<small>THIS DRAWING IS UNPUBLISHED. RELEASED FOR PUBLICATION BY TYCO ELECTRONICS CORPORATION. ALL RIGHTS RESERVED.</small>		DWN: B. GRZYBOWSKI T1AUG06 CHK: S. FLICKINGER T1AUG06 APVD: S. FLICKINGER T1AUG06	tyco Tyco Electronics Harrisburg, PA 17105-3608
DIMENSIONS: mm [INCHES]	TOLERANCES UNLESS OTHERWISE SPECIFIED: 0 PLC ±. 1 PLC ±0.3 [0.013] 2 PLC ±0.15 [0.005] 3 PLC ±0.013 4 PLC ±0.001 ANGLES ±.5 FINISH -	PRODUCT SPEC APPLICATION SPEC WEIGHT - CUSTOMER DRAWING	NAME: STRAIGHT PIN CONNECTOR, SOLDER TAILS, FLATPAQ SIZE: A 00779 C=1926220 SCALE: 2:1 SHEET 3 OF 3 REV C

单击下面可查看定价，库存，交付和生命周期等信息

[>>TE Connectivity\(泰科\)](#)