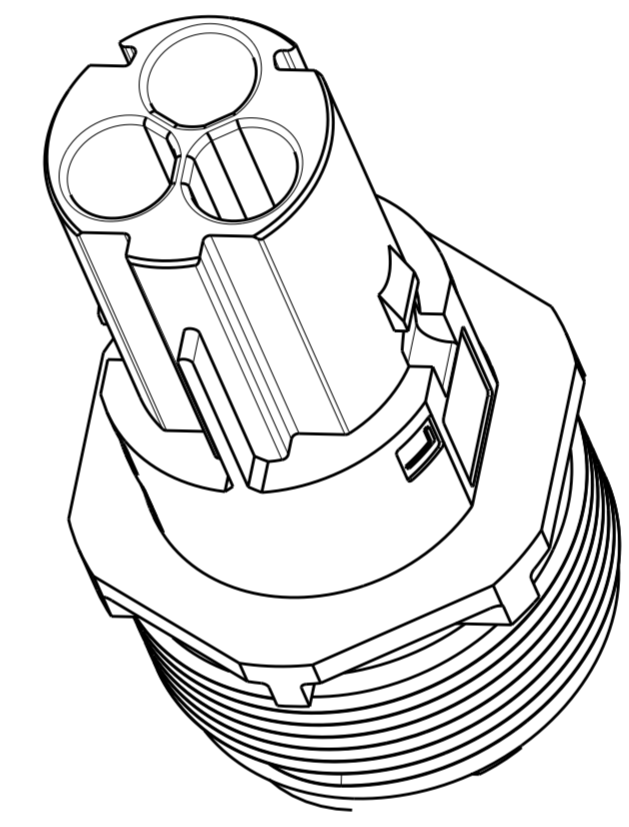
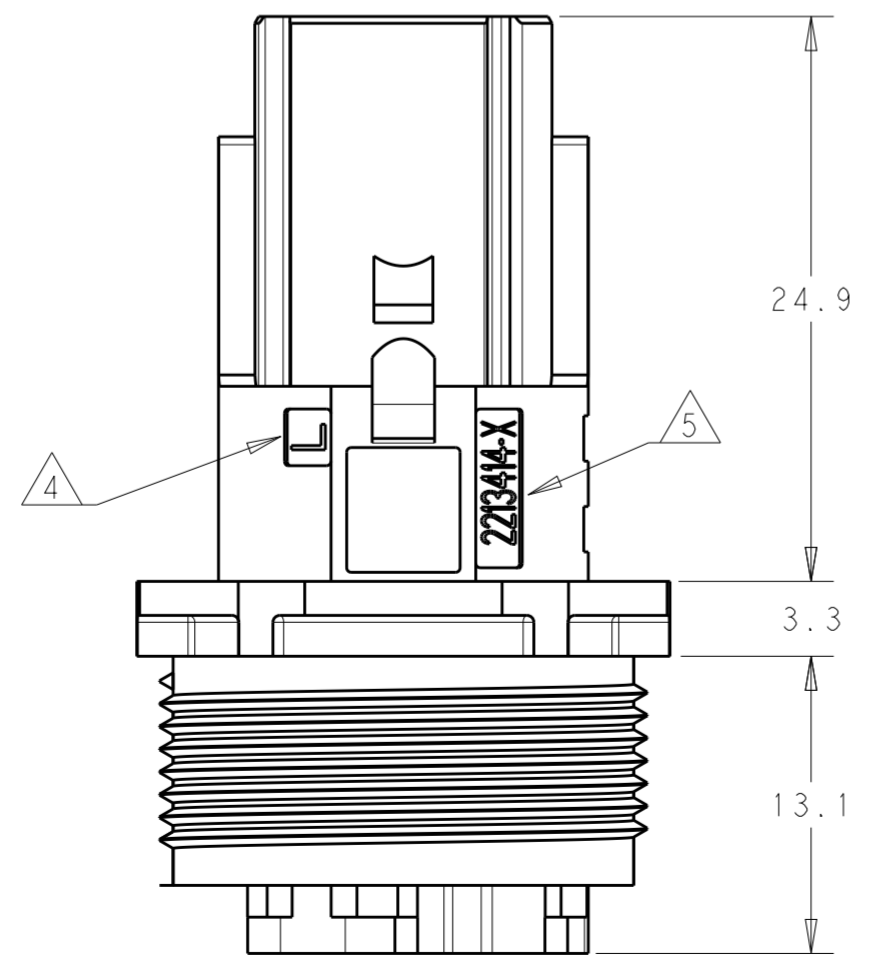
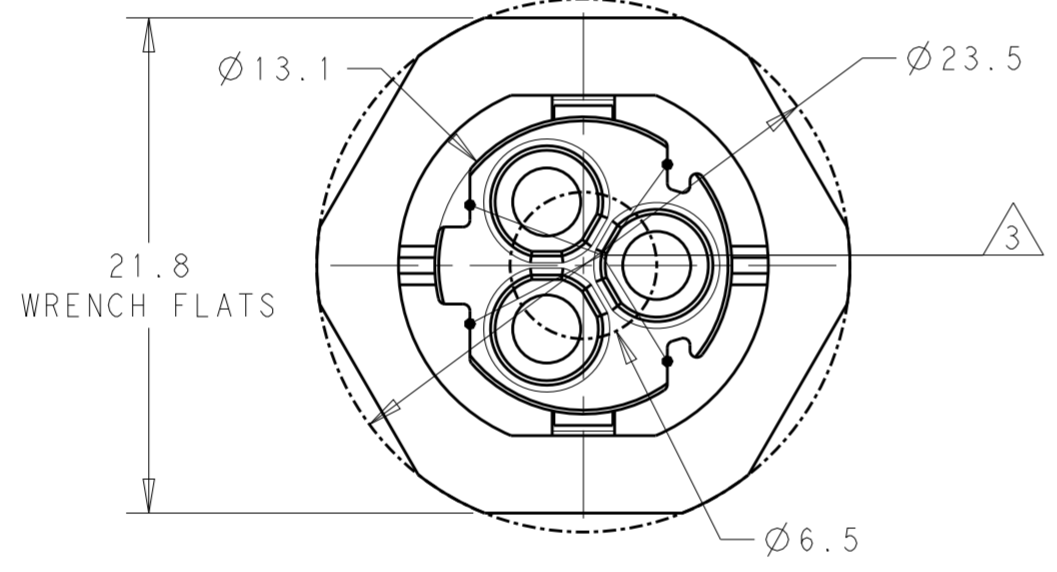
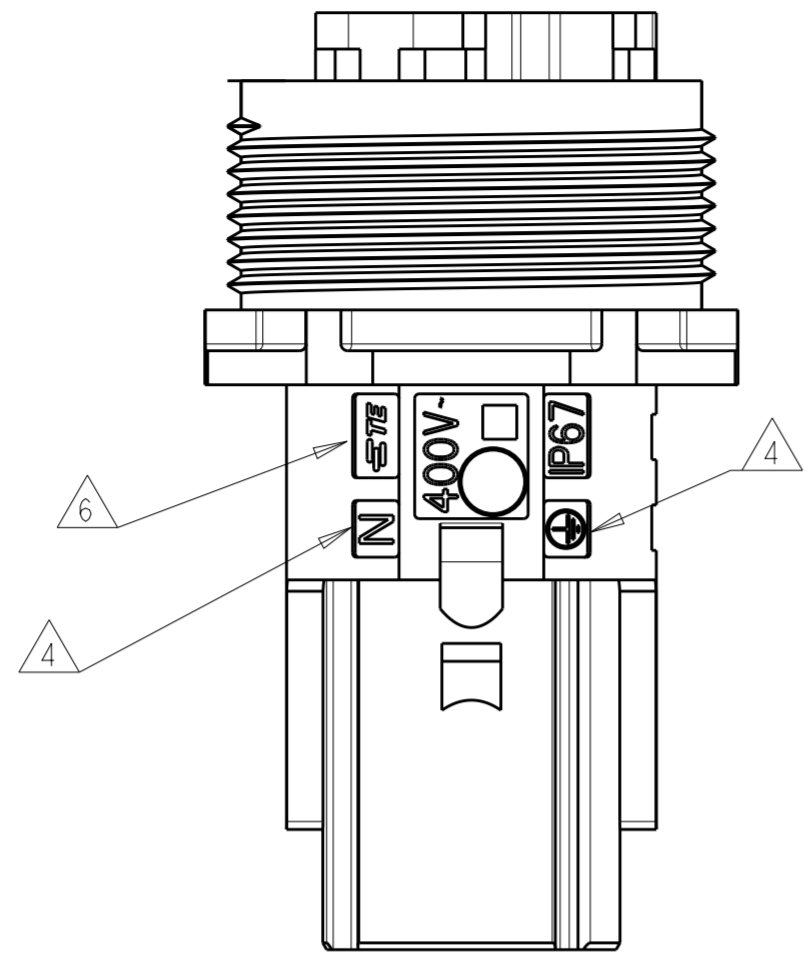


THIS DRAWING IS UNPUBLISHED. RELEASED FOR PUBLICATION 20
 © COPYRIGHT 20 BY - ALL RIGHTS RESERVED.

REVISIONS					
P	LTR	DESCRIPTION	DATE	DWN	APVD
	A	REVISED AS PER ECR-15-005925	21APR2015	RS	JL
	A1	REVISED AS PER ECR-15-012095	20AUG2015	RS	JL
	A2	REVISED PER ECR-18-006945	29MAY2018	NG	MZ



NOTES:

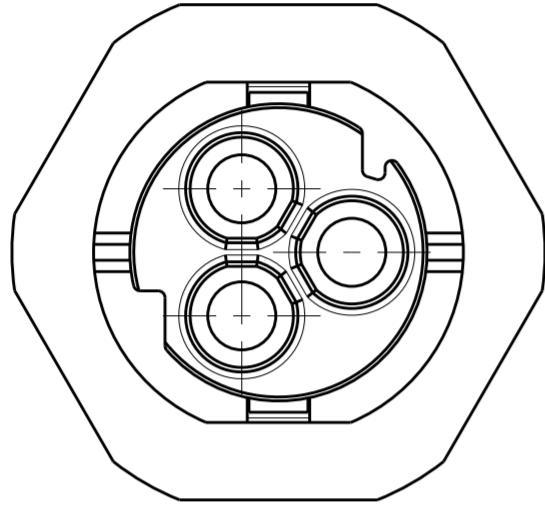
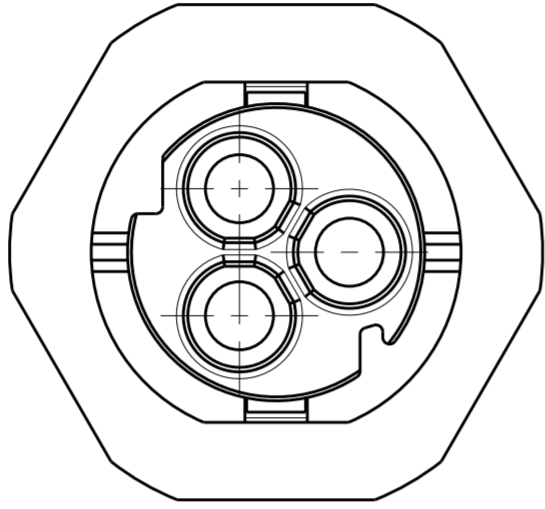
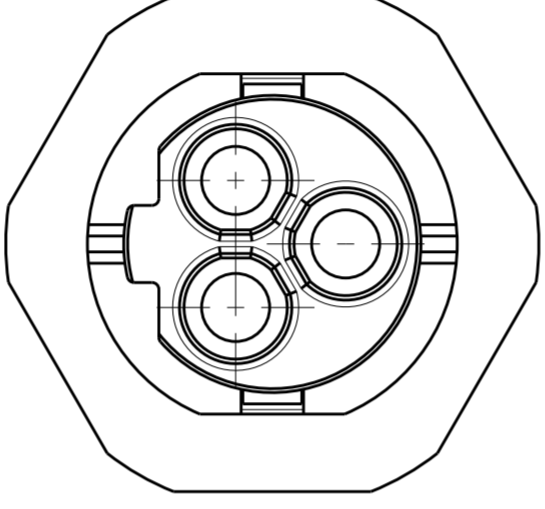
- MATERIAL: GLASS FILLED PBT, COLOR: BLACK
- MUST COMPLY WITH DIRECTIVE 2002/95/EC (ROHS)
- ALL POLARIZATION KEYS SHOWN FOR REF ONLY.
- CIRCUIT I.D.
- TE PART NUMBER
- TE LOGO
- THIS PRODUCT HAS NOT COMPLETED VALIDATION TESTING


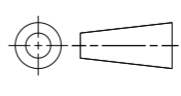
OBSOLETE	C	FREE HANGING PIN HOUSING SEALED NECTOR M 3 POSN	2213414-3
	B	FREE HANGING PIN HOUSING SEALED NECTOR M 3 POSN	2213414-2
	A	FREE HANGING PIN HOUSING SEALED NECTOR M 3 POSN	2213414-1
	POLAZATION TYPE	DESCRIPTION	P/N

THIS DRAWING IS A CONTROLLED DOCUMENT.		DWN RAVI.S 16OCT2013	TE Connectivity	
DIMENSIONS: mm		CHK L.MAREK 16OCT2013		
TOLERANCES UNLESS OTHERWISE SPECIFIED:		APVD L.MAREK 16OCT2013	NAME HOUSING, PIN, FREE-HANGING NECTOR M-LINE; 3 POLE	
0 PLC ±	1 PLC ±0.2	PRODUCT SPEC 108-133014	SIZE A2	CAGE CODE -
2 PLC ±0.13	3 PLC ±	APPLICATION SPEC 114-32111	DRAWING NO C-2213414	RESTRICTED TO -
4 PLC ±	ANGLES ±3°	WEIGHT -	SCALE 4:1	SHEET 1 OF 2
MATERIAL -	FINISH -	CUSTOMER DRAWING	REV A2	

THIS DRAWING IS UNPUBLISHED. RELEASED FOR PUBLICATION 20
 © COPYRIGHT 20 BY - ALL RIGHTS RESERVED.

REVISIONS				
P	LTR	DESCRIPTION	DATE	APVD
-		SEE SHEET 1	-	-

POLARIZATION TYPES		
POLARIZATION TYPE "A"	POLARIZATION TYPE "B"	POLARIZATION TYPE "C"
		
PN 2213414-1	PN 2213414-2	PN 2213414-3

THIS DRAWING IS A CONTROLLED DOCUMENT.		DWN RAVI.S 16OCT2013	 TE Connectivity		
DIMENSIONS:		CHK L.MAREK 16OCT2013			
mm		APVD L.MAREK 16OCT2013			
		PRODUCT SPEC 108-133014	NAME HOUSING, PIN, FREE-HANGING NECTOR M-LINE; 3 POLE		
TOLERANCES UNLESS OTHERWISE SPECIFIED:		APPLICATION SPEC 114-32111	SIZE A2	CAGE CODE -	DRAWING NO C-2213414
0 PLC ±- 1 PLC ±0.2 2 PLC ±0.13 3 PLC ±- 4 PLC ±- ANGLES ±3° FINISH -		WEIGHT -	RESTRICTED TO -	SCALE 3:1 SHEET 2 OF 2 REV A2	
MATERIAL -		CUSTOMER DRAWING			

单击下面可查看定价，库存，交付和生命周期等信息

[>>TE Connectivity\(泰科\)](#)