

THIS DRAWING IS UNPUBLISHED.

RELEASED FOR PUBLICATION

20

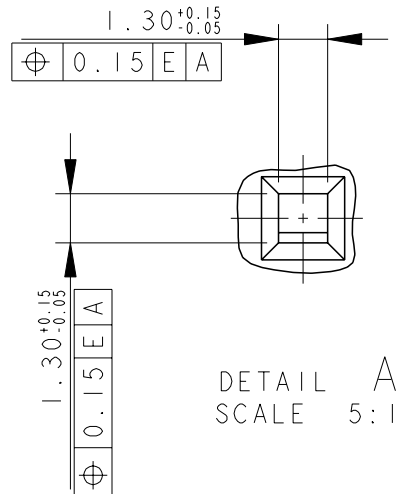
© COPYRIGHT 20 BY -

ALL RIGHTS RESERVED.

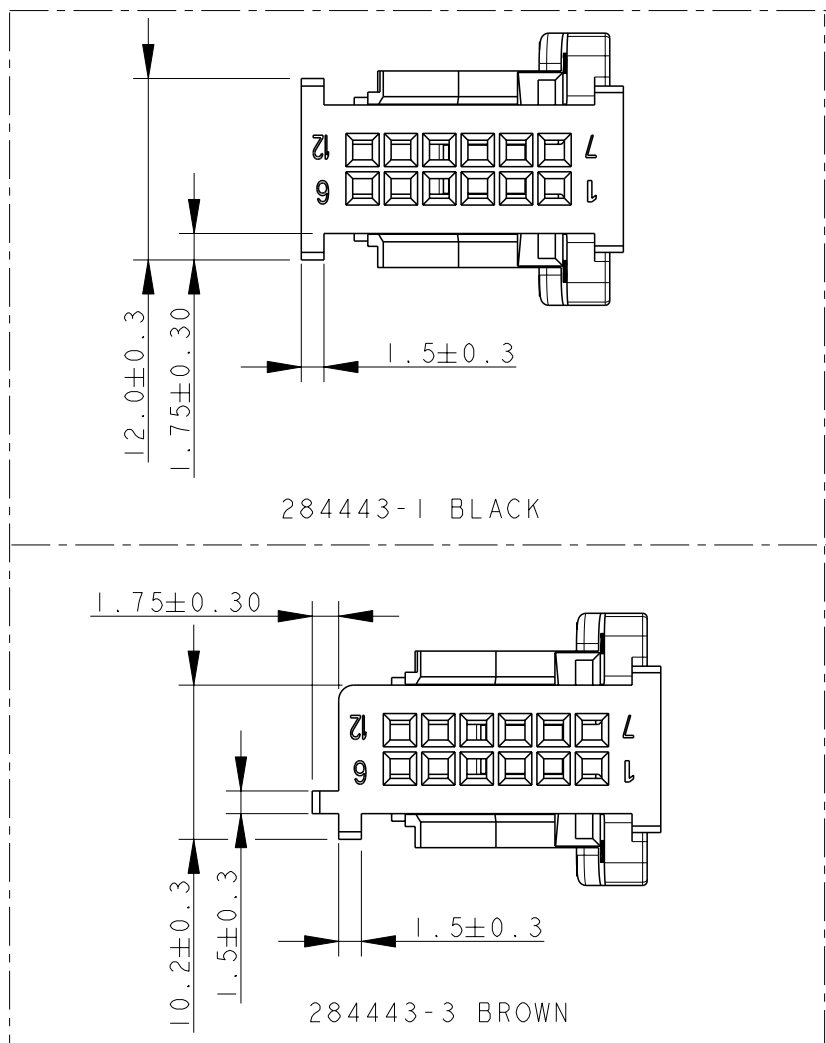
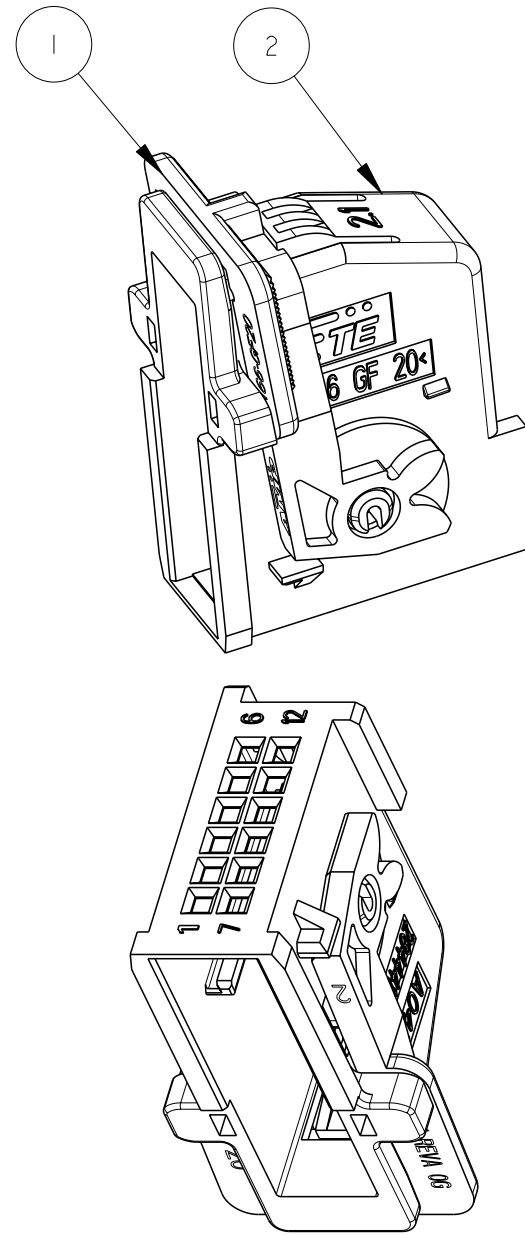
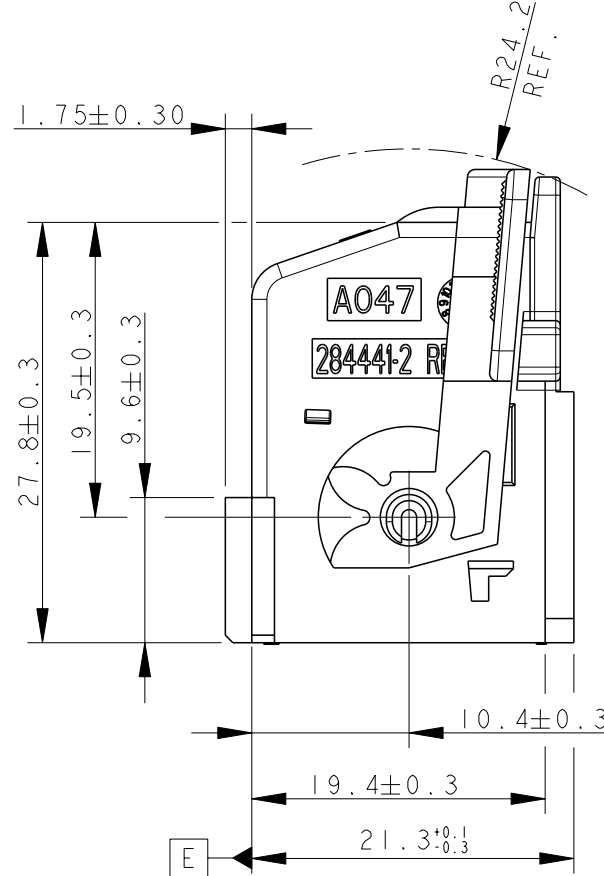
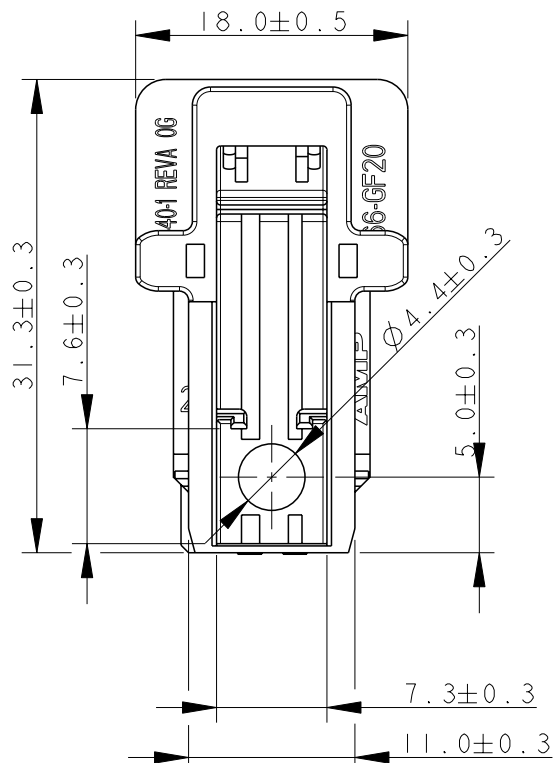
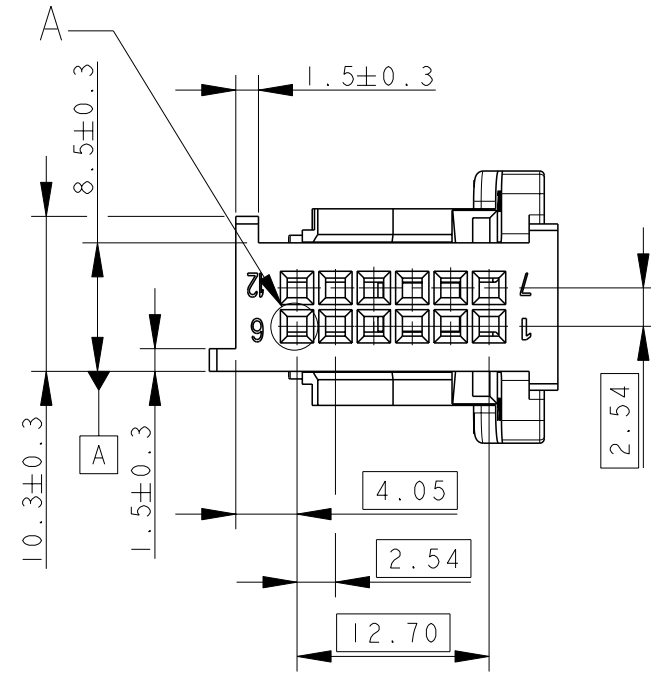
REVISIONS

P	LTR	DESCRIPTION	DATE	DWN	APVD
A2		ADDED P/NS ON SHEET 3 (ECR-14-017917)	01DEC14	F. A.	A. P.
A3		284443-7 RELEASED FOR PRODUCTION ECR-15-008125	28MAY2015	A. B.	A. P.
A4		COLOR NOTE OF -8 UPDATE (ECR-15-9118)	16JUN2015	A. B.	A. P.
A5		ECO-16-002376	19FEB2016	M. G.	M. G.

SEE DETAIL A



DETAIL A  
SCALE 5:1



284443-2 BLUE, AS SHOWN

BROWN	BLACK	A	284443-3
BLUE	BLACK	A	284443-2
BLACK	BLACK	A	284443-1
ITEM (2) COVER COLOUR	ITEM (1) LEVER COLOUR	ASSY REV	ASSY P/N

- 1) MATERIAL: PA 6.6 G.F. FILLED
- 2) COVER PLUS LEVER SUITABLE FOR PLUG HOUSING P/N 284442-1
- 3) FOR COUNTERPART DETAILS SEE 208-15544

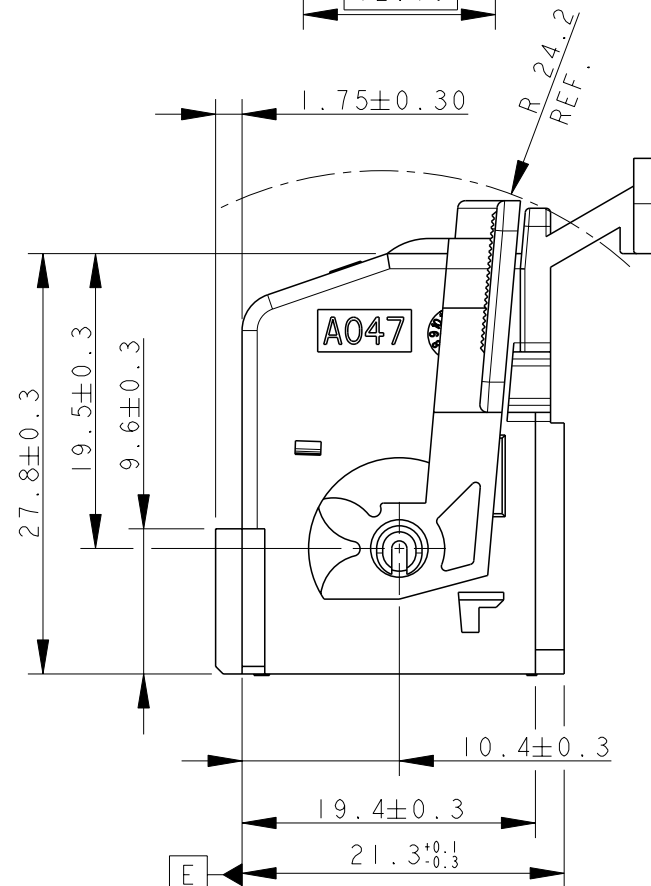
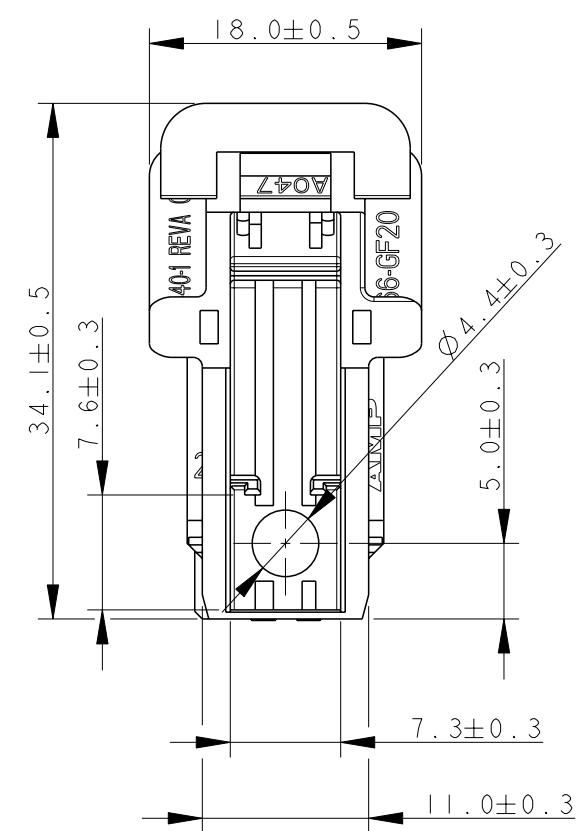
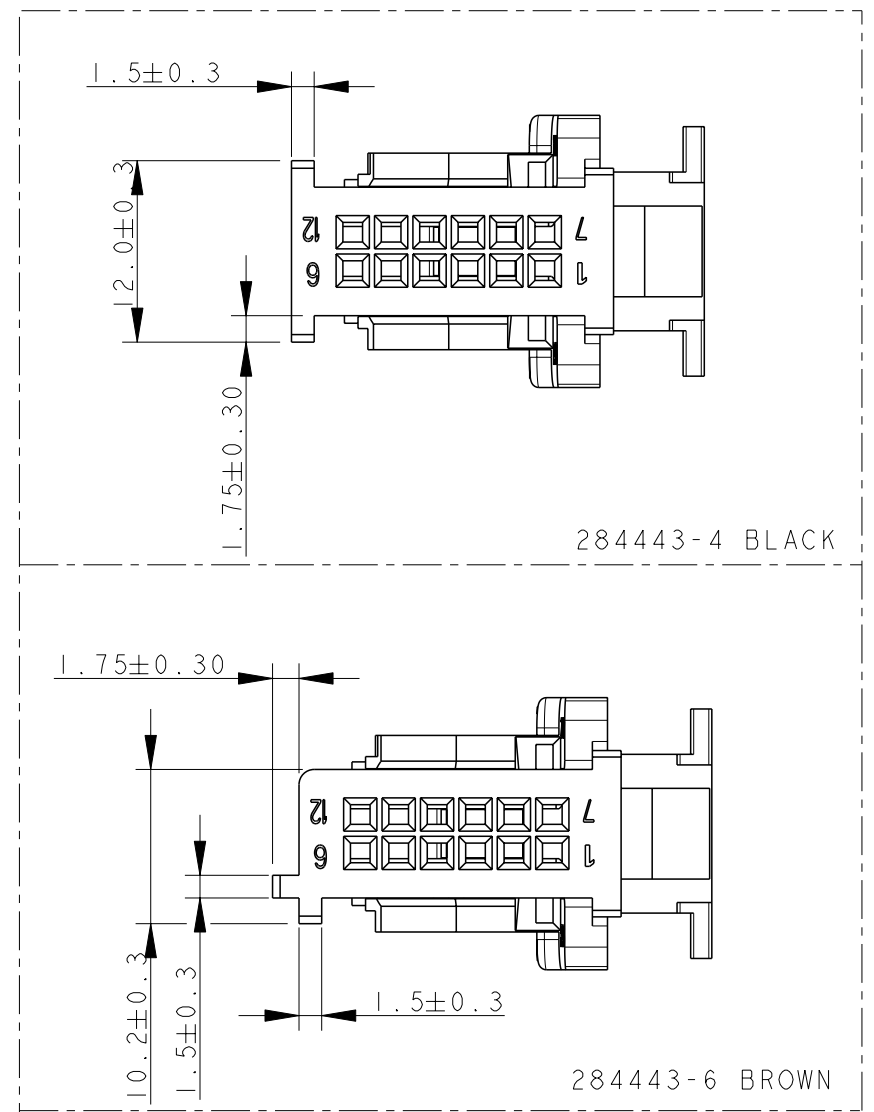
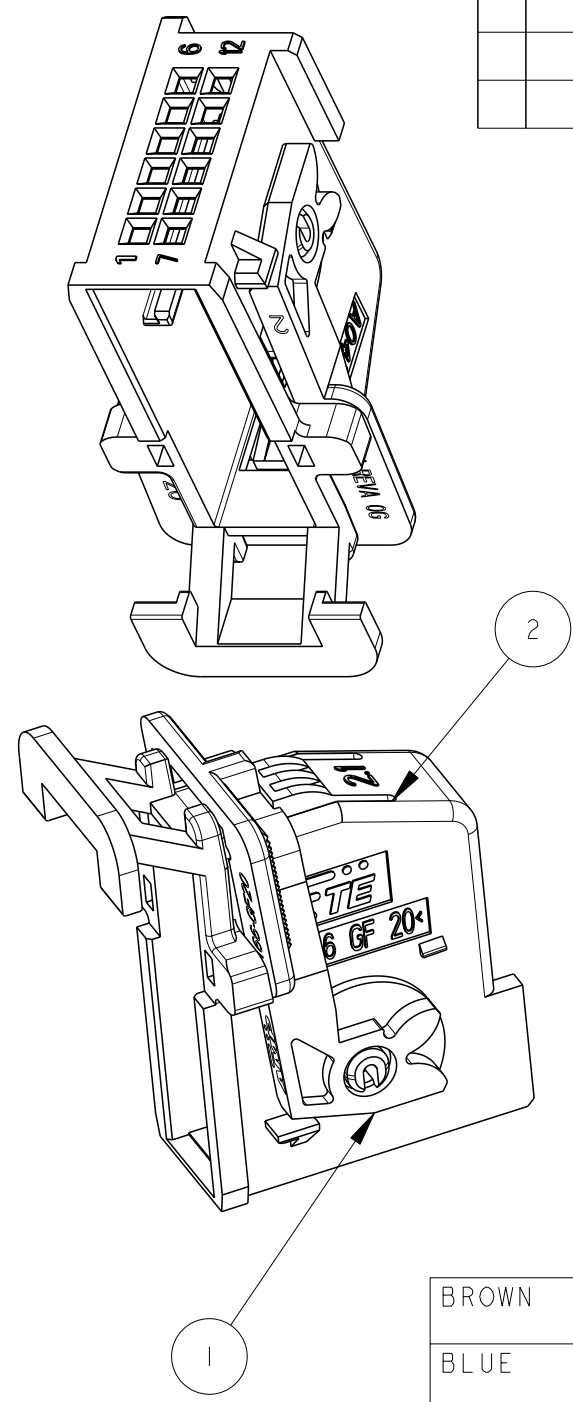
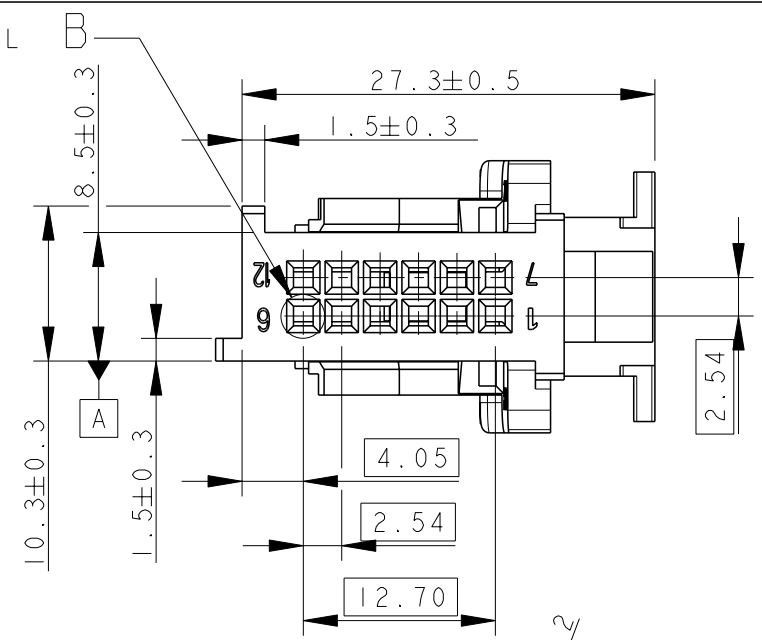
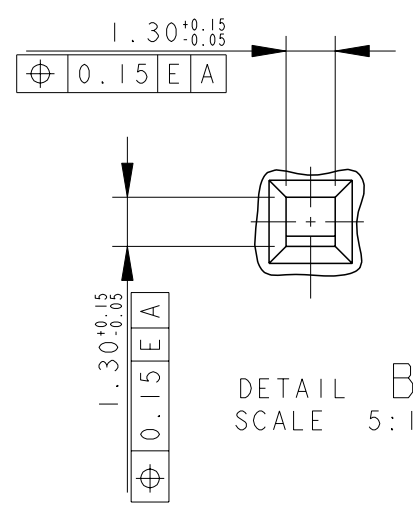
THIS DRAWING IS A CONTROLLED DOCUMENT.		DWN M. PALMA 17SEPT'99	TE Connectivity <b>COVER + LEVER FOR 12 POSITION MICRO QUADLOK SYSTEM PLUG HOUSING</b>	
DIMENSIONS: mm		CHK R. MARTINI 17SEPT'99		
TOLERANCES UNLESS OTHERWISE SPECIFIED:		APVD A. GENTA 17SEPT'99		
 0 PLC ±0.3 1 PLC ±0.3 2 PLC ±. 3 PLC ±. 4 PLC ±. ANGLES ±2 FINISH -		PRODUCT SPEC 108-20222		
MATERIAL NOTE 1)		APPLICATION SPEC 411-15565	NAME	RESTRICTED TO
		WEIGHT 3.3 g	SIZE A3	CAGE CODE -
		Customer Drawing	DRAWING NO C-284443	SCALE 2:1
			SHEET 1 OF 3	REV A5

THIS DRAWING IS UNPUBLISHED. RELEASED FOR PUBLICATION 20  
 © COPYRIGHT 20 BY - ALL RIGHTS RESERVED.

REVISIONS

P	LTR	DESCRIPTION	DATE	DWN	APVD
-	-	SEE SHEET 1	-	-	-

SEE DETAIL B



284443-5 BLUE, AS SHOWN

- 1) MATERIAL: PA 6.6 G.F. FILLED
- 2) COVER PLUS LEVER SUITABLE FOR PLUG HOUSING P/N 284442-1
- 3) SAME AS -1, -2, -3, BUT PROVIDED WITH CABLE TIE SEAT
- 4) FOR COUNTERPART DETAILS SEE 208-15544

BROWN	BLACK	SEE NOTE 3)	A	284443-6
BLUE	BLACK	SEE NOTE 3)	A	284443-5
BLACK	BLACK	SEE NOTE 3)	A	284443-4
ITEM (2) COVER COLOUR	ITEM (1) LEVER COLOUR	NOTES	ASSY REV.	ASSY P/N

THIS DRAWING IS A CONTROLLED DOCUMENT.

DIMENSIONS:	TOLERANCES UNLESS OTHERWISE SPECIFIED:
mm	
	0 PLC ±0.3
	1 PLC ±0.3
	2 PLC ±
	3 PLC ±
	4 PLC ±
	ANGLES ±2
MATERIAL	FINISH
NOTE 1)	-
-	-

DWN	M. PALMA	17SEPT'99
CHK	R. MARTINI	17SEPT'99
APVD	A. GENTA	17SEPT'99
PRODUCT SPEC	108-20222	
APPLICATION SPEC	411-15565	
WEIGHT	3.3 g	

**TE** TE Connectivity

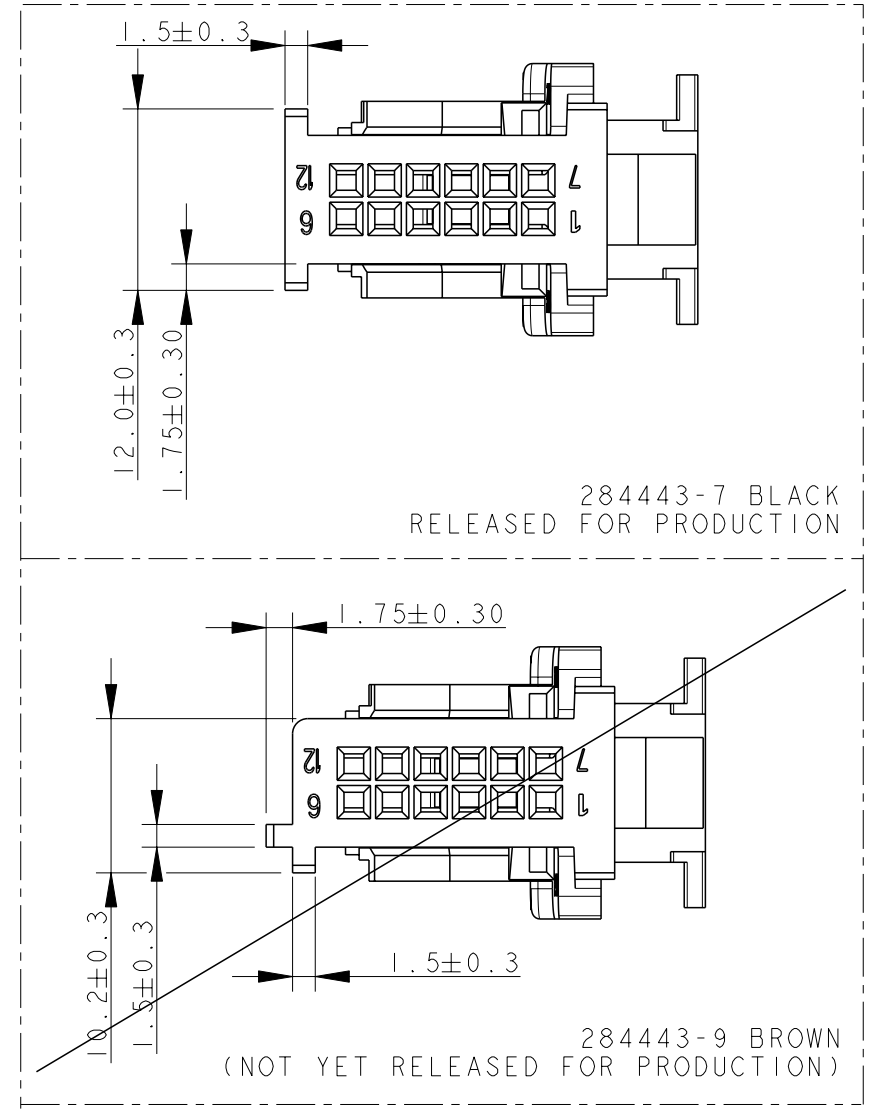
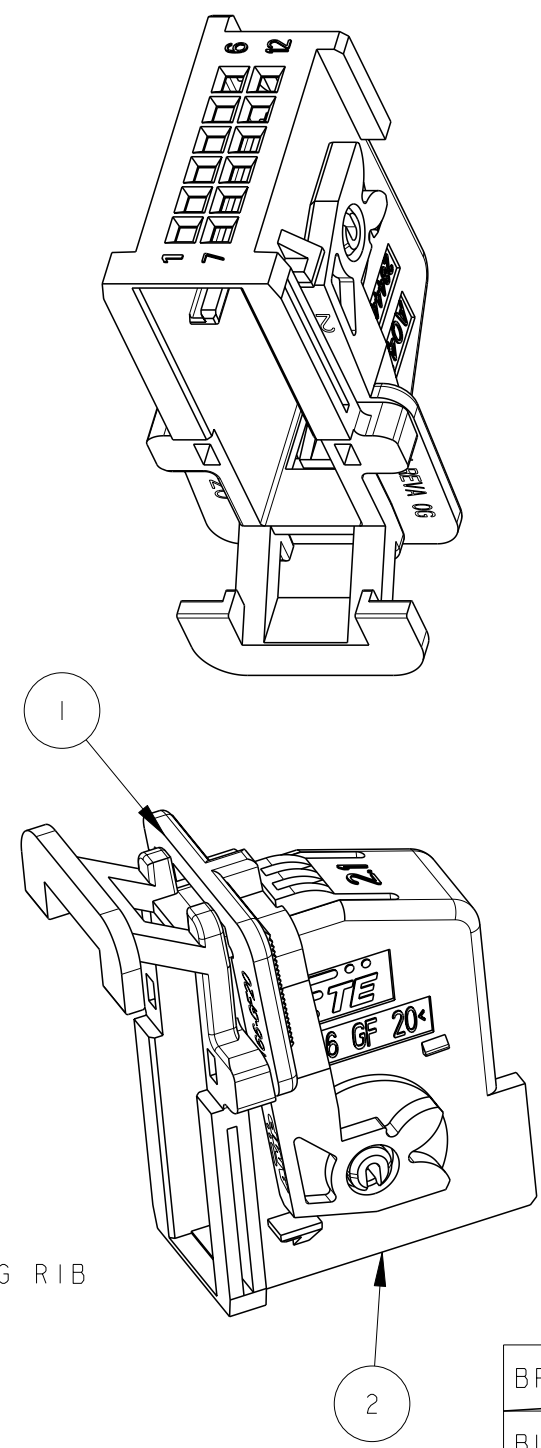
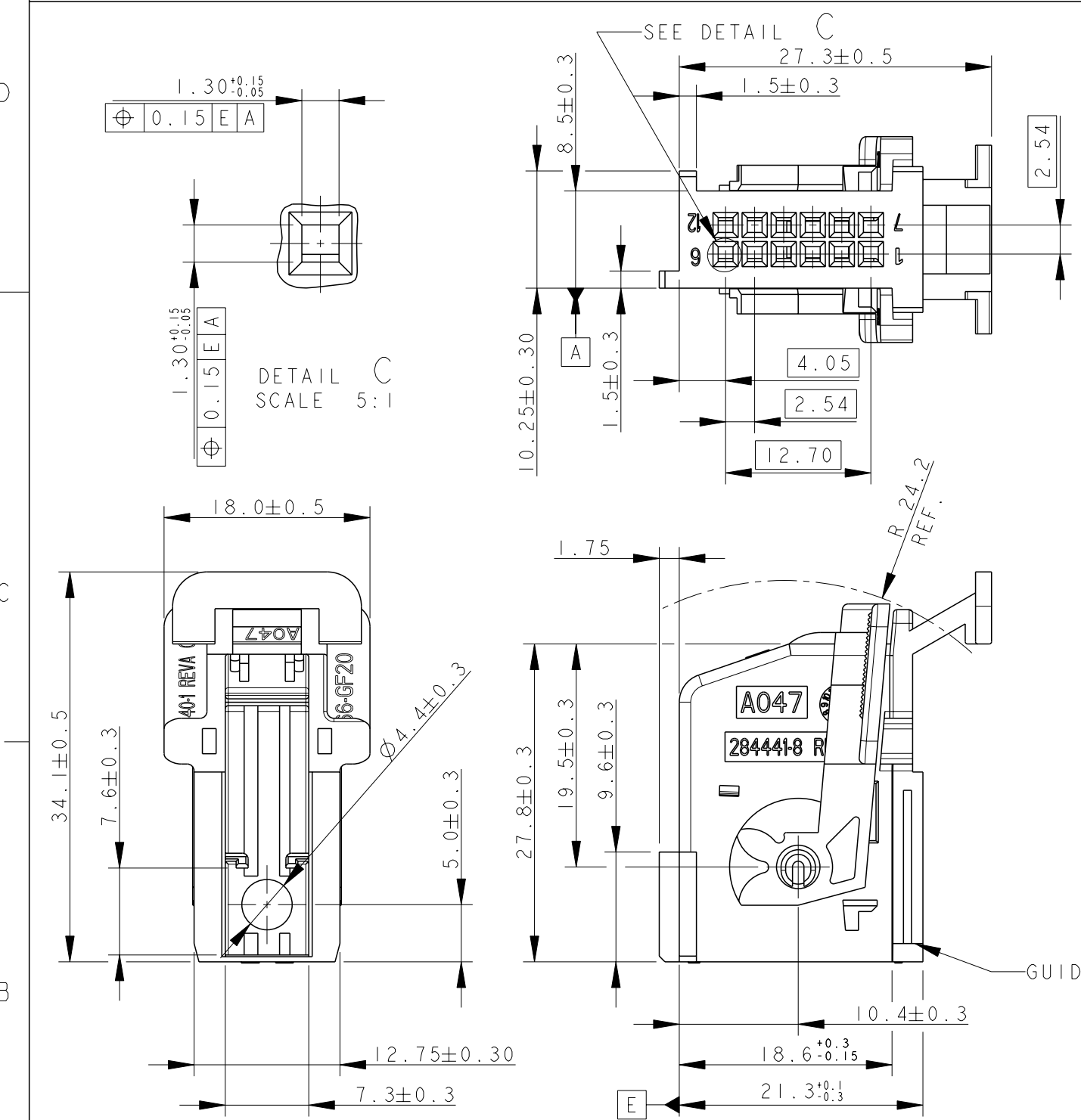
NAME: COVER + LEVER FOR 12 POSITION MICRO QUADLOK SYSTEM PLUG HOUSING

SIZE	CAGE CODE	DRAWING NO	RESTRICTED TO
A3	-	284443	-

SCALE: 2:1 SHEET: 2 OF 3 REV: A5

THIS DRAWING IS UNPUBLISHED. RELEASED FOR PUBLICATION 20  
 © COPYRIGHT 20 BY - ALL RIGHTS RESERVED.

P	LTR	DESCRIPTION	DATE	DWN	APVD
-	-	SEE SHEET 1	-	-	-



284443-8 BLU, AS SHOWN  
 (NOT YET RELEASED FOR PRODUCTION)

- 1) MATERIAL: PA 6.6 G.F. FILLED
- 2) COVER PLUS LEVER SUITABLE FOR PLUG HOUSING P/N 284442-1
- 3) SHELL PROVIDED WITH CABLE TIE SEAT AND GUIDING RIB WIDTH INCREASED
- 4) FOR COUNTERPART DETAILS SEE 208-15544

BROWN	BLUE	SEE NOTE 3)	A	284443-9
BLUE	BLUE	SEE NOTE 3)	A	284443-8
BLACK	BLUE	SEE NOTE 3)	A	284443-7
ITEM (2) COVER COLOUR	ITEM (1) LEVER COLOUR	NOTES	ASSY REV.	ASSY P/N

THIS DRAWING IS A CONTROLLED DOCUMENT.		DWN M. PALMA 17SEPT'99	TE Connectivity	
DIMENSIONS: mm		CHK R. MARTINI 17SEPT'99		
TOLERANCES UNLESS OTHERWISE SPECIFIED:		APVD A. GENTA 17SEPT'99	NAME COVER + LEVER FOR 12 POSITION MICRO QUADLOK SYSTEM PLUG HOUSING	
		PRODUCT SPEC 108-20222	SIZE A3	CAGE CODE -
MATERIAL NOTE 1)		APPLICATION SPEC 411-15565	DRAWING NO C-284443	RESTRICTED TO -
FINISH		WEIGHT 3.3 g	SCALE 2:1	SHEET 3 OF 3
-		Customer Drawing	REV A5	

单击下面可查看定价，库存，交付和生命周期等信息

[>>TE Connectivity\(泰科\)](#)