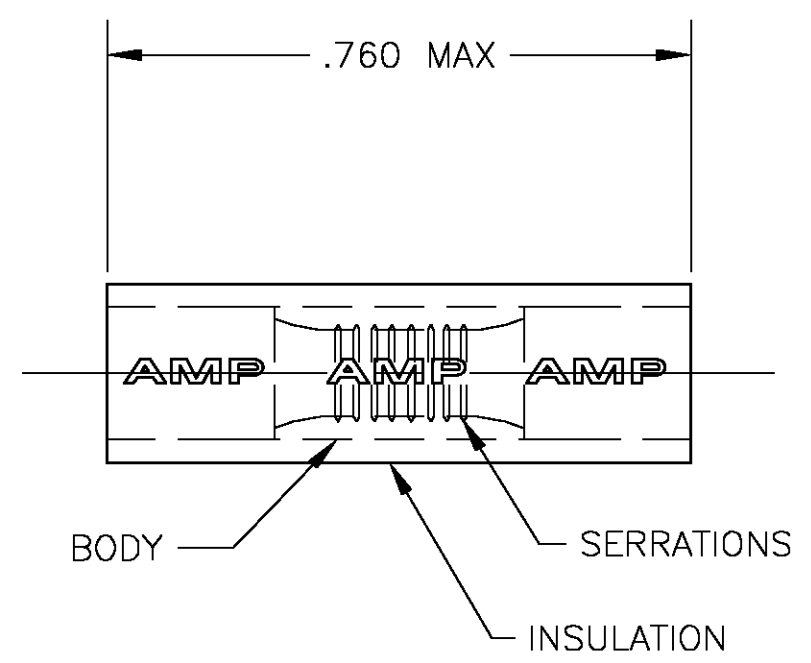


THIS DRAWING IS UNPUBLISHED. RELEASED FOR PUBLICATION
 © COPYRIGHT BY TYCO ELECTRONICS CORPORATION. ALL RIGHTS RESERVED.

LOC	DIST	REVISIONS					
		P	LTR	DESCRIPTION	DATE	DWN	APVD
G	14		D	REDRAWN PER 0G3A-0550-03	05SEP03	JR	TM

1 FOR .080 TO .120 WIRE INSULATION DIA.



100	LOOSE PIECE, BOX	INSULATION: PVC COLOR: RED	8-34131-1
1	WIRE SPLICE	BODY: COPPER (QQ-C-576) TIN PLATE PER ASTM B-545	34131
QTY	PART NO	MATERIAL / FINISH	PART NO

THIS DRAWING IS A CONTROLLED DOCUMENT.		DWN jr_ruth 05SEP03	Tyco Electronics Corporation Harrisburg, PA 17105	
DIMENSIONS: INCHES 		CHK T MICHIELUTTI 05SEP03	NAME WIRE SPLICE, PARALLEL, PLASTI-GRIP, WIRE SIZE : 22-16	
TOLERANCES UNLESS OTHERWISE SPECIFIED: 0 PLC ± - 1 PLC ± - 2 PLC ± - 3 PLC ± .005 4 PLC ± - ANGLES ± 1'		APVD T MICHIELUTTI 05SEP03	PRODUCT SPEC -	
MATERIAL SEE TABLE	FINISH SEE TABLE	APPLICATION SPEC -	WEIGHT -	RESTRICTED TO -
CUSTOMER DRAWING			SIZE A3	CAGE CODE 00779
SCALE 4:1			DRAWING NO C-34131	SHEET 1 OF 1
			REV D	

单击下面可查看定价，库存，交付和生命周期等信息

[>>TE Connectivity\(泰科\)](#)