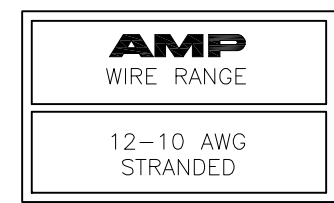
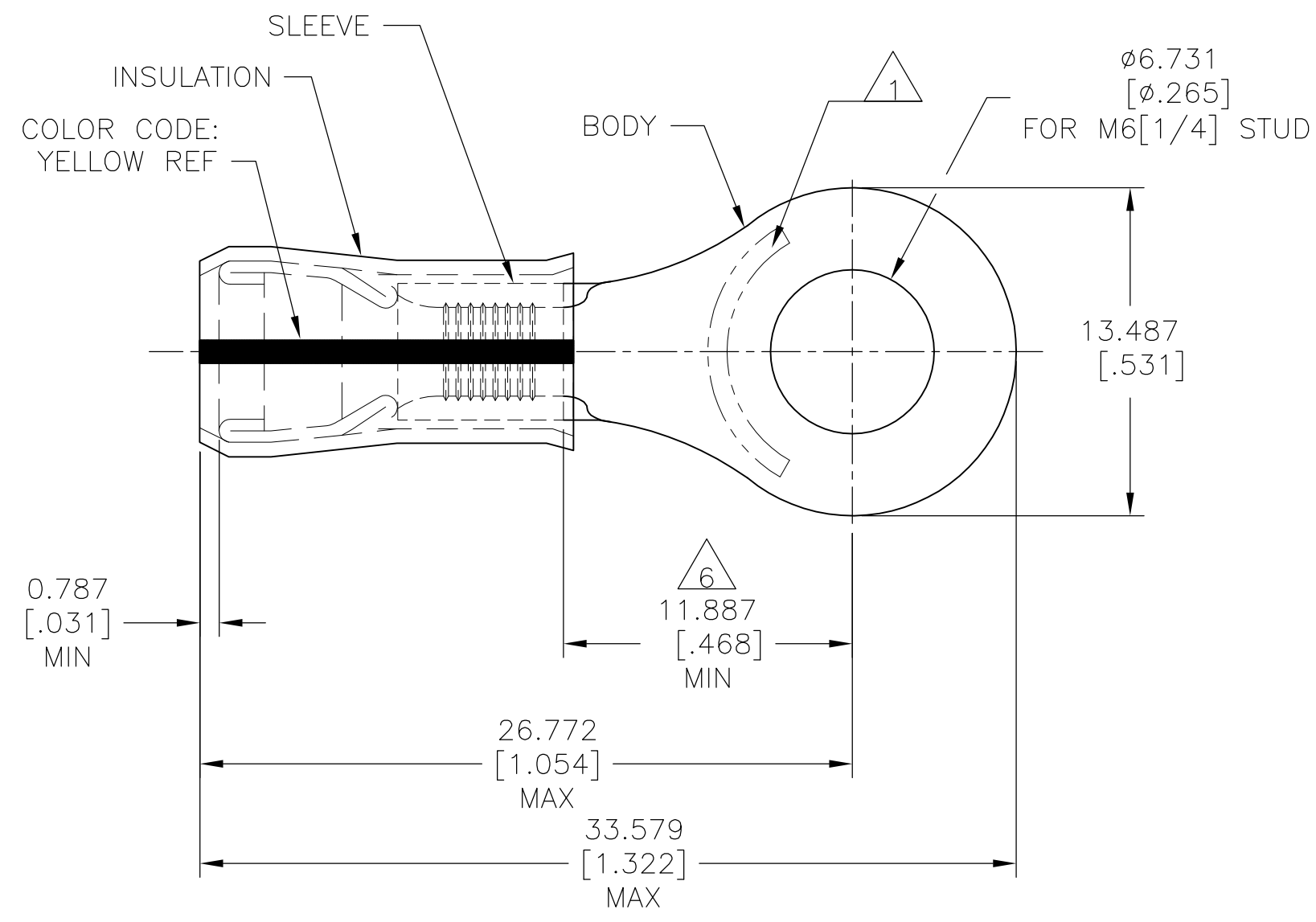


REVISIONS					
P	LTR	DESCRIPTION	DATE	DWN	APVD
	L3	REVISED PER ECO-12-007718	08MAY12	KH	DR
	L4	REVISED PER ECO-17-007400	24NOV2017	RS	DR



- 1 STAMP AMP 12-10\* APPROX AS SHOWN.
- 2 WIRE INSULATION :  $\phi 3.810-5.842$  [ $\phi .150-.230$ ]
- 3 BODY MATERIAL THK:  $0.991 \pm 0.051$  [ $.039 \pm .002$ ]
- 4 FINISH:  
 BODY & SLEEVE: TIN-LEAD (93-7) PLATE PER ASTM B545,  
 (3% MIN LEAD CONTENT)  
 INSULATION: COLOR-NATURAL.
- 5 MATERIAL:  
 BODY & SLEEVE: CU PER ASTM B152  
 INSULATION: PVF2,
- 6 APPLIES FROM EDGE OF METAL WIRE BARREL  
 TO CENTER OF STUD HOLE.
- 7 MEETS M7928/4-157, CLASS 1 & 2  
 MEETS M7928/13-157. CLASS 1 & 2

500	LOOSE PIECE	53426-1
QTY	PACKAGE TYPE	PART NO

AMP INCORPORATED CUSTOMER SERVICE SYSTEMS		MAX RECOMMENDED OPERATING TEMPERATURE: 150°C [302°F] MAX	THIS DRAWING IS A CONTROLLED DOCUMENT.		DWN JR RUTH 16OCT07	TE Connectivity						
FOR ADDITIONAL PRODUCT INFORMATION OR COPIES OF DRAWINGS AND TECHNICAL DOCUMENTS	PRODUCT INFORMATION CENTER 1-800-522-6752	VOLTAGE RATING: -	DIMENSIONS: mm [INCHES]	TOLERANCES UNLESS OTHERWISE SPECIFIED:	CHK T MICHIELUTTI 16OCT07					NAME TERMINAL, RING TONGUE, PVF2 , P.I.D.G. WIRE SIZE: 12-10 AWG		
FOR APPLICATION TOOLING INFORMATION	TOOLING ASSISTANCE CENTER 1-800-722-1111	CIRCULAR MIL AREA: 2.62-6.64mm² [5,180-13,100] STRANDED		0 PLC ± - 1 PLC ± - 2 PLC ± - 3 PLC ± 0.127[.005] 4 PLC ± - ANGLES ± -	APVD T MICHIELUTTI 16OCT07	PRODUCT SPEC	APPLICATION SPEC	114-2157	SIZE	CAGE CODE	DRAWING NO	RESTRICTED TO
FOR ORDER ENTRY	1-800-526-5142	THIS DRAWING IS A CONTROLLED DOCUMENT FOR AMP INCORPORATED. IT IS SUBJECT TO CHANGE AND THE CONTROLLING ENGINEERING ORGANIZATION SHOULD BE CONTACTED FOR THE LATEST REVISION.	MATERIAL	FINISH	WEIGHT	-	A3	00779	C-53426	CUSTOMER DRAWING		
			5	4			SCALE	4:1	SHEET	1 OF 1	REV	L4

单击下面可查看定价，库存，交付和生命周期等信息

[>>TE Connectivity\(泰科\)](#)