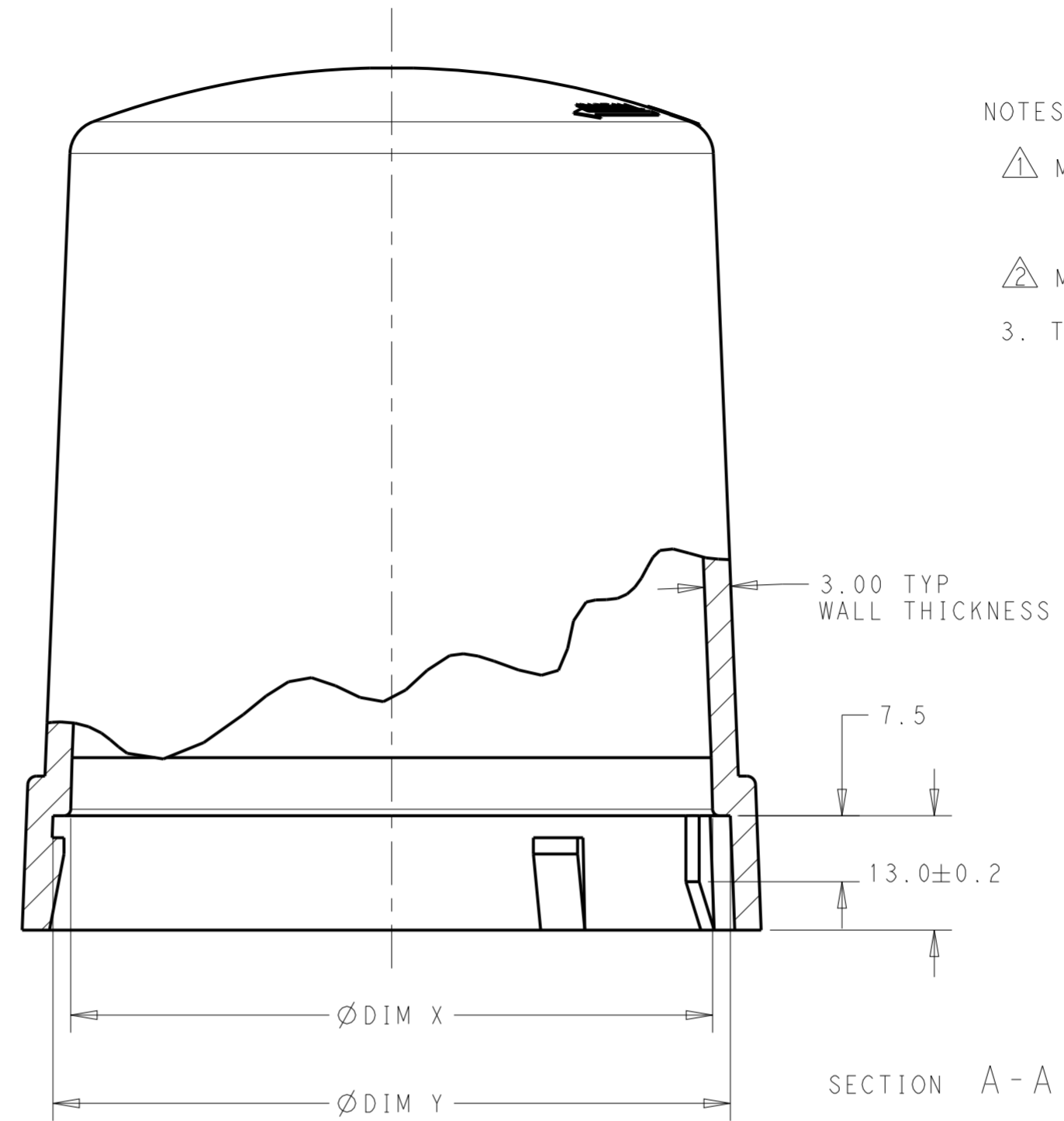
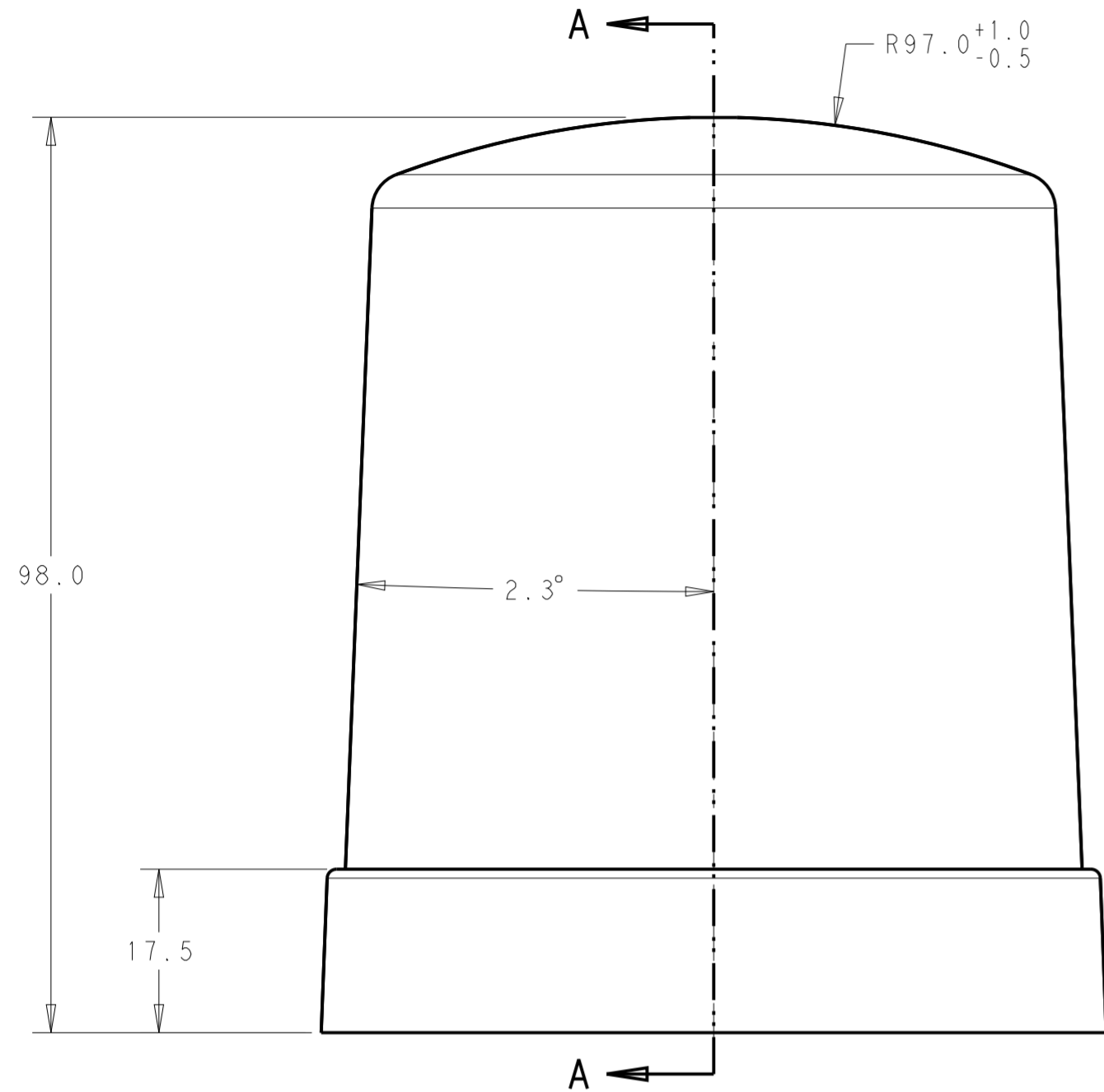
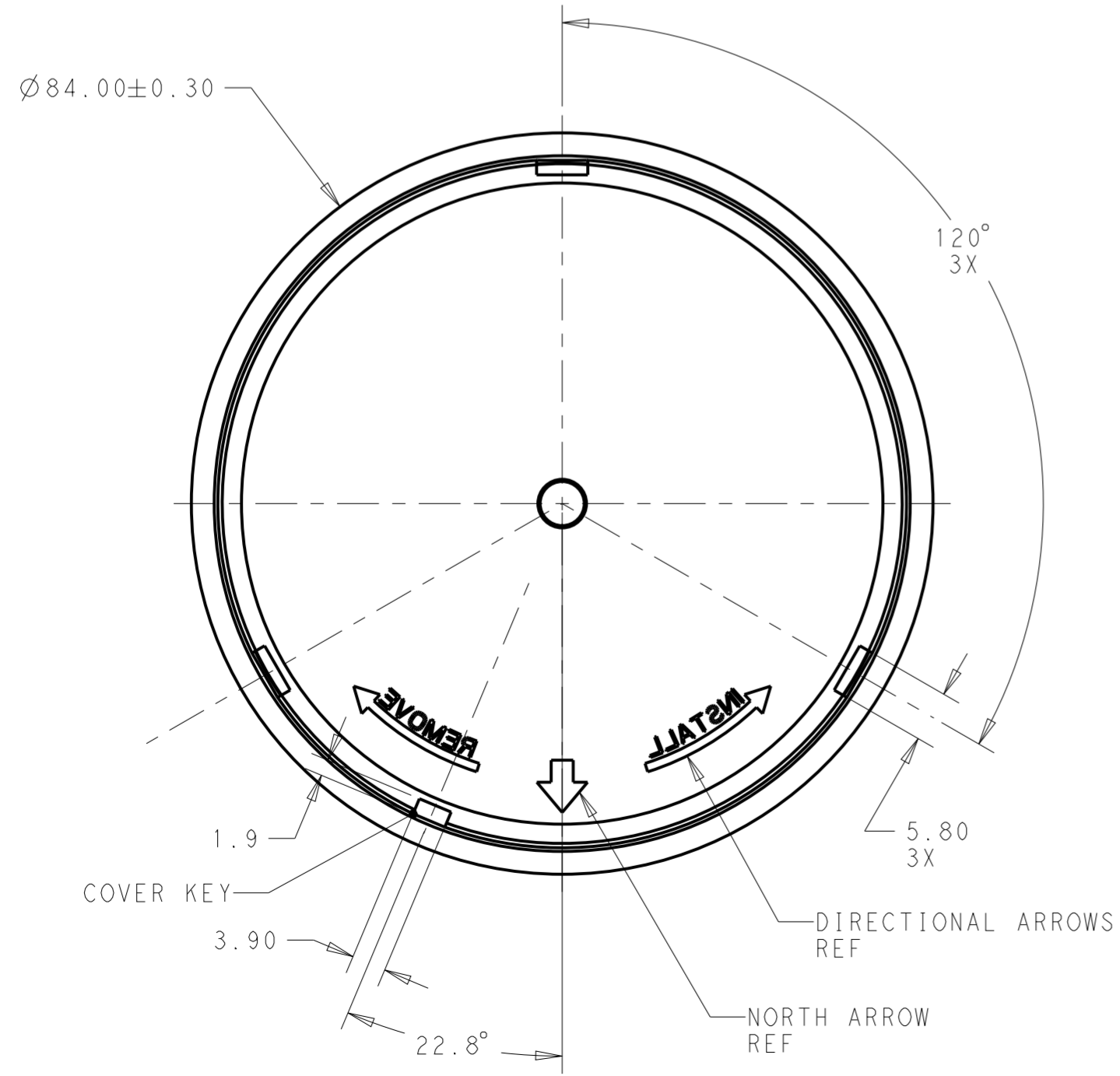
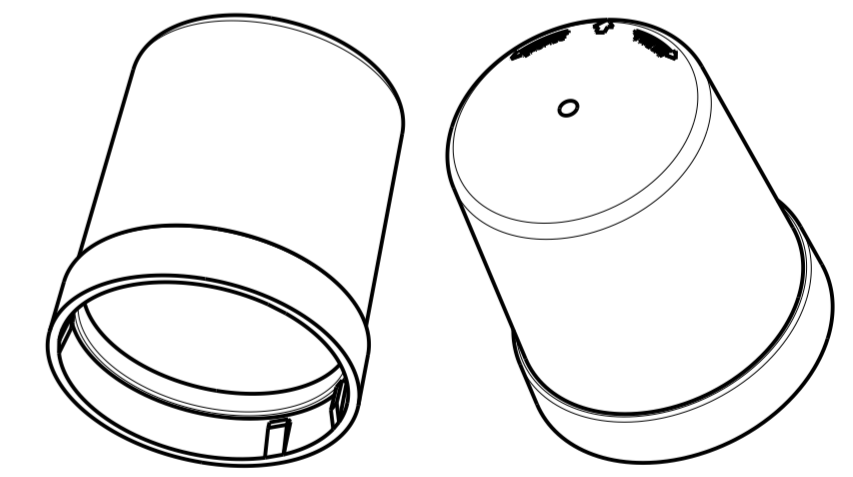
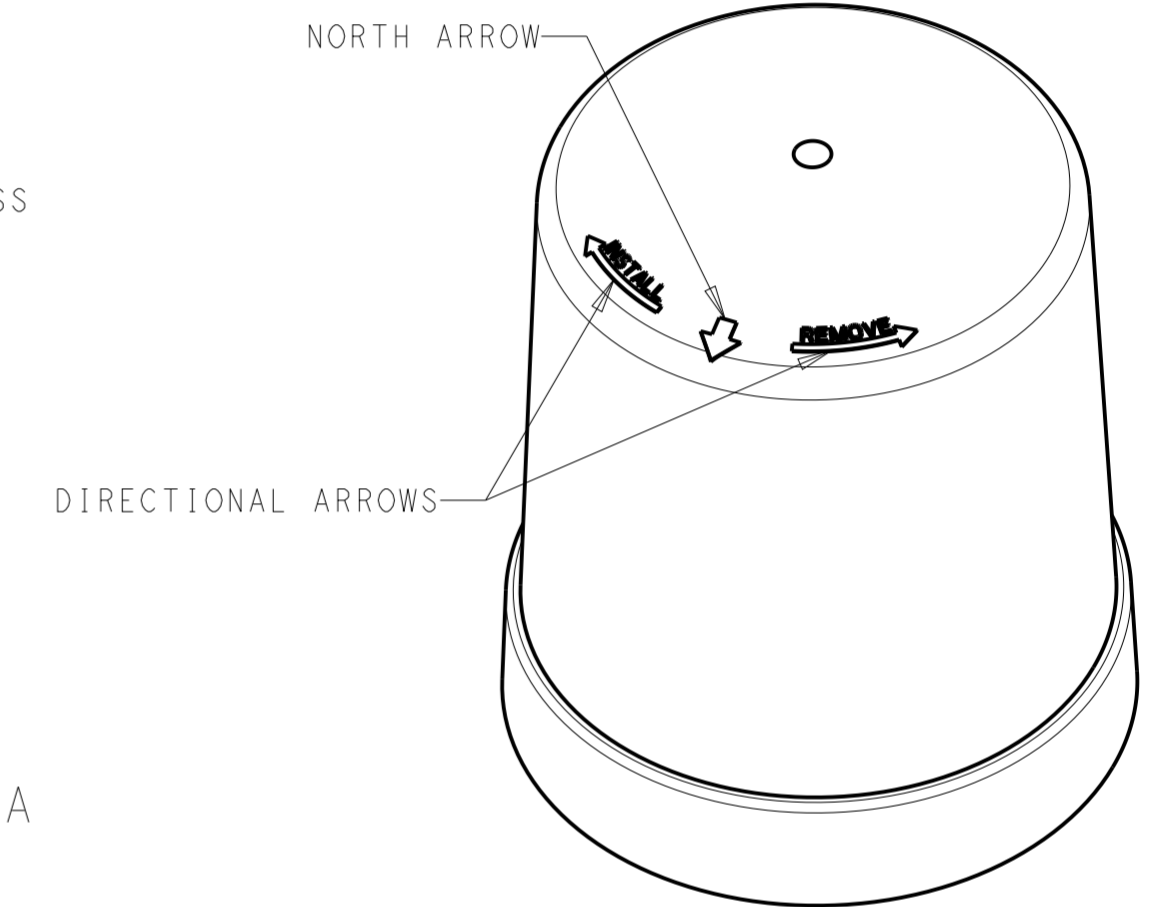


THIS DRAWING IS UNPUBLISHED. RELEASED FOR PUBLICATION 20  
 © COPYRIGHT 20 BY - ALL RIGHTS RESERVED.

| REVISIONS |     |                           |           |       |
|-----------|-----|---------------------------|-----------|-------|
| P         | LTR | DESCRIPTION               | DATE      | APVD  |
| B3        |     | REVISED PER ECR-21-004548 | 18APR2021 | MM JL |
|           |     |                           |           |       |
|           |     |                           |           |       |



- NOTES:
- 1 MATERIALS:  
HOUSING: POLYCARBONATE, UV 5VA RATED  
COLOR: SEE TABLE
  - 2 MATING BASE TE P/N: 2213730-X
  - 3. THIS PRODUCT HAS NOT COMPLETED VALIDATION TESTING.



| APPROX LIGHT TRANSMISSION | COLOR                   | DIM Y  | DIM X  | PART NO.    |
|---------------------------|-------------------------|--------|--------|-------------|
| 0%                        | OPAQUE GRAY RAL7038 REF | Ø 77.0 | Ø 73.0 | 2-2213748-1 |
| 78%                       | TRANSPARENT CLEAR       | Ø 77.0 | Ø 73.0 | 1-2213748-1 |
| 26%                       | TRANSLUCENT GRAY        | Ø 77.0 | Ø 73.0 | 2213748-2   |
| 24%                       | TRANSPARENT SMOKE       | Ø 77.0 | Ø 73.0 | 2213748-1   |

THIS DRAWING IS A CONTROLLED DOCUMENT. DWN: C. DAILY 30OCT2015, CHK: E. HOWARD 30OCT2015, APVD: -

**STE** TE Connectivity

NAME: COVER, LIGHT CONTROLLER

PRODUCT SPEC: 108-32125, APPLICATION SPEC: 114-32159, WEIGHT: -

SIZE: A2, CAGE CODE: -

DRAWING NO: C-2213748, RESTRICTED TO: -

CUSTOMER DRAWING, SCALE: 3:2, SHEET: 1 OF 1, REV: B3

单击下面可查看定价，库存，交付和生命周期等信息

[>>TE Connectivity\(泰科\)](#)