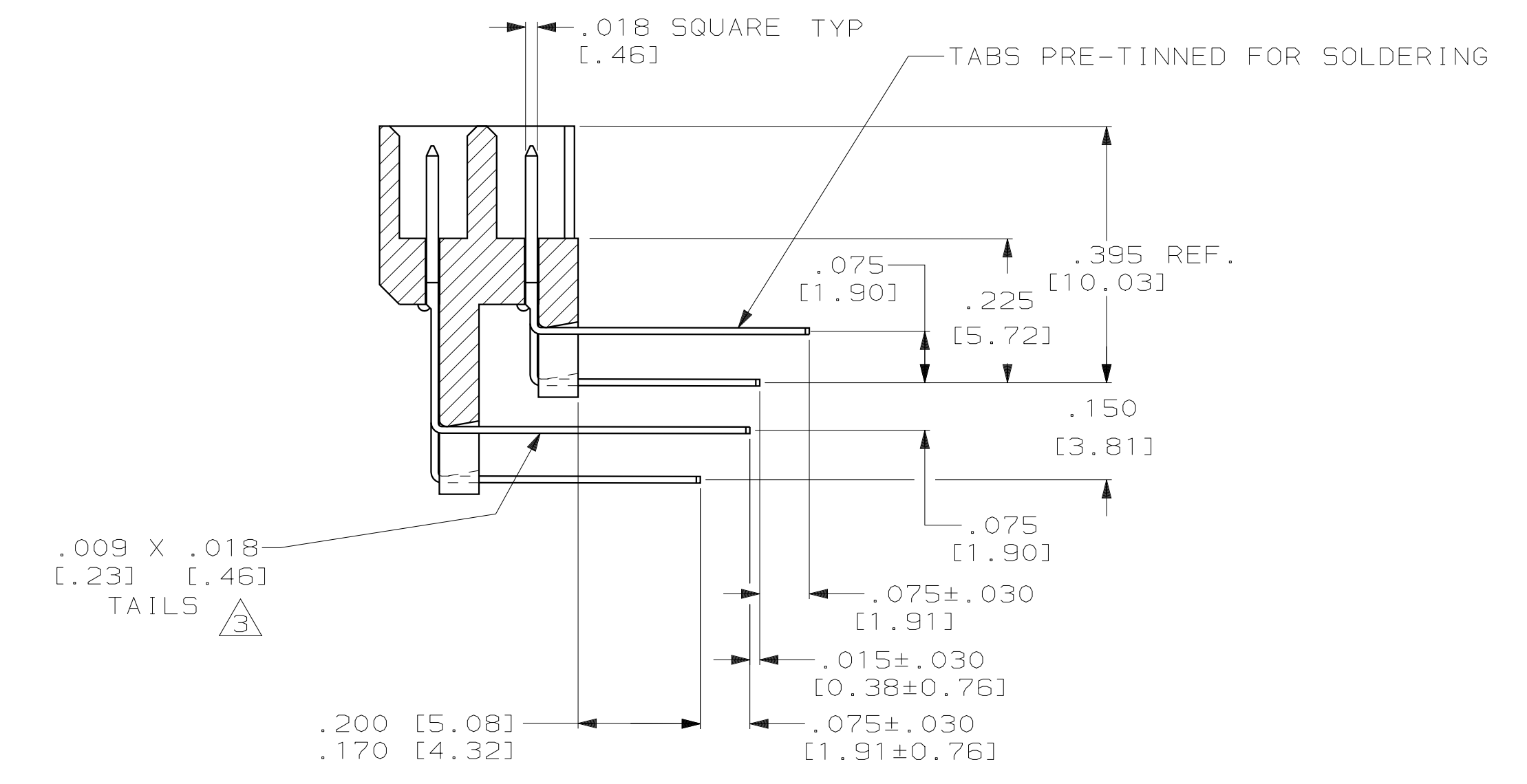
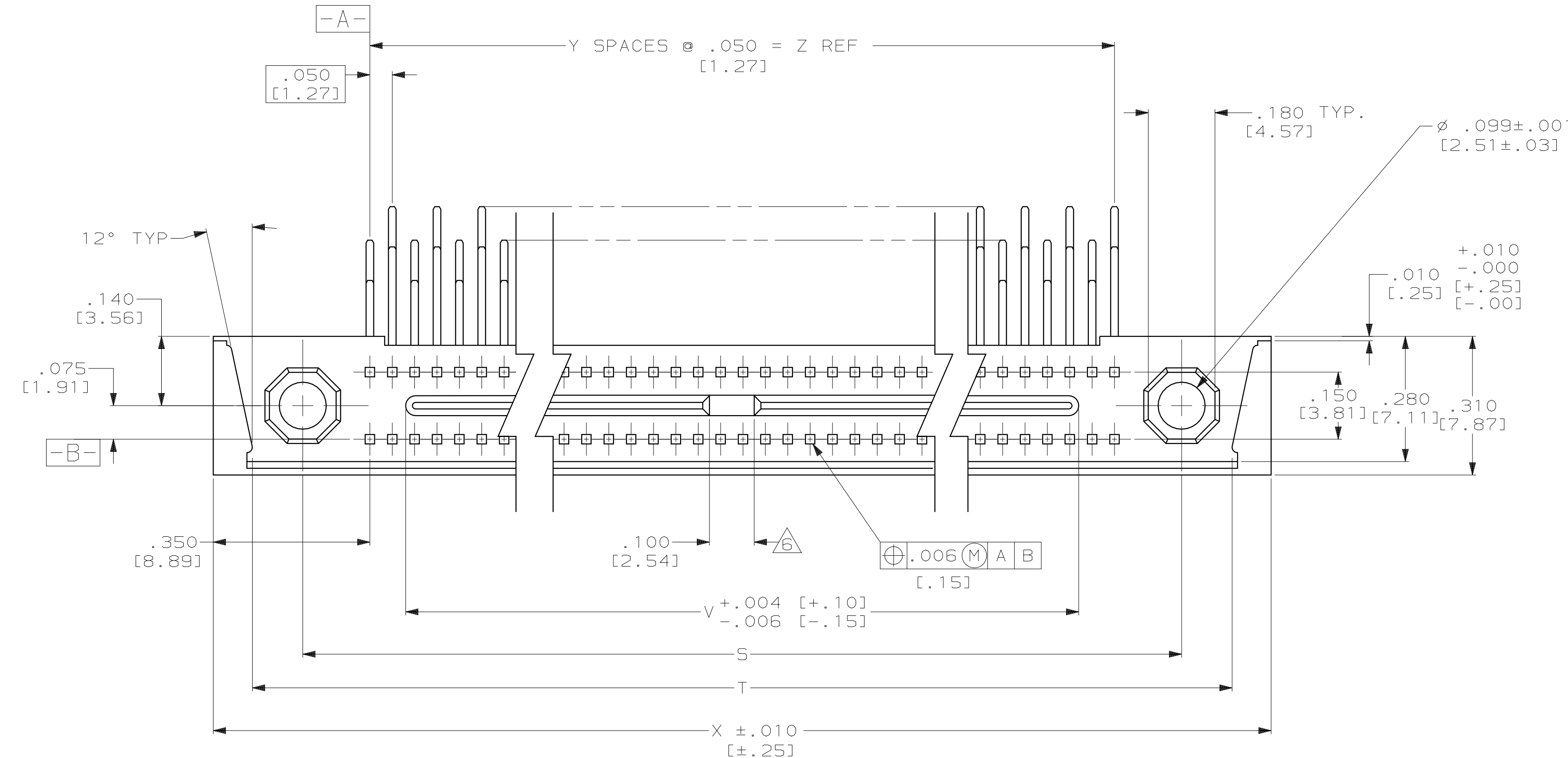
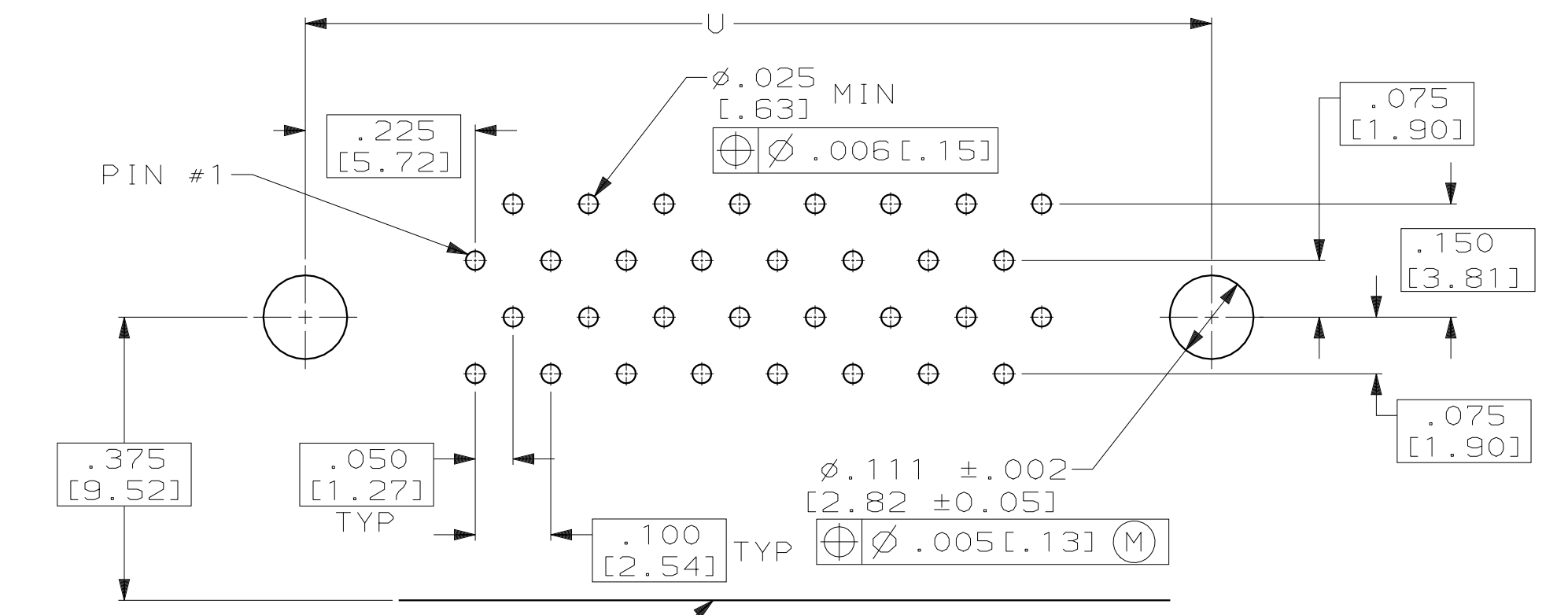
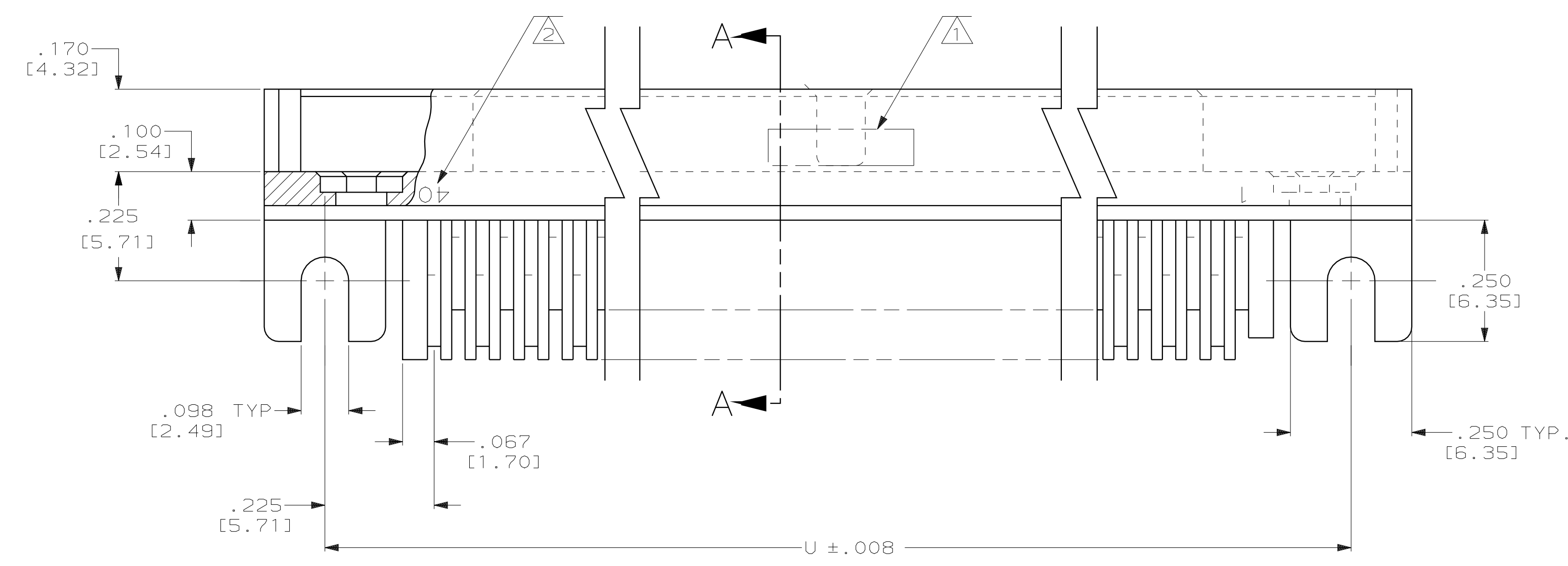


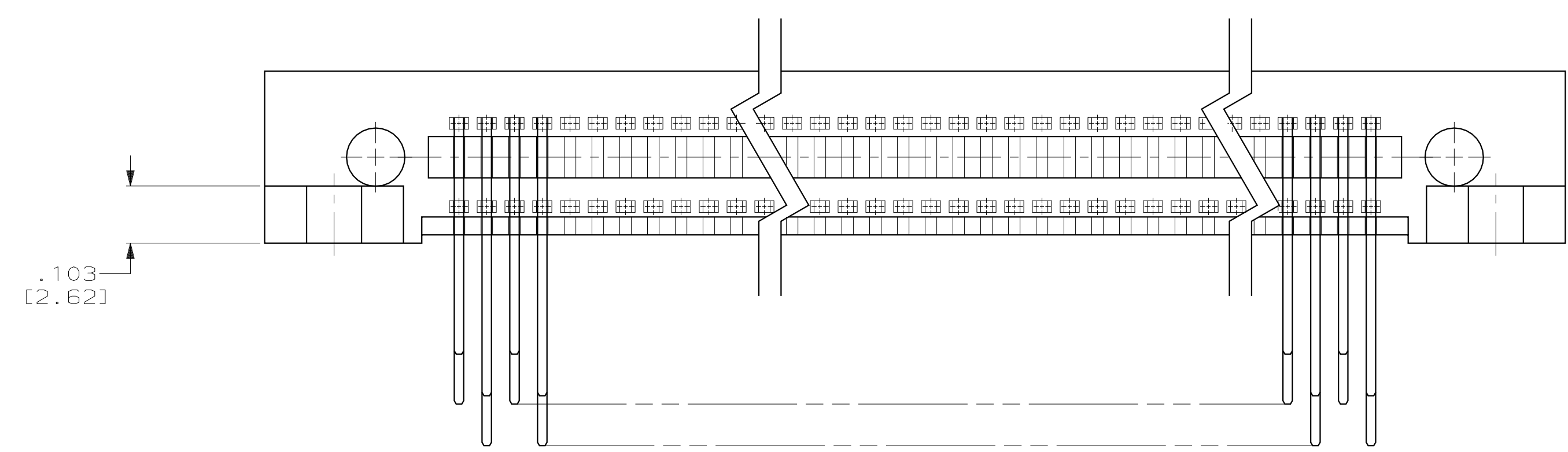
PROJ		LOC		DIST		REV		REVISIONS		DATE	APPD
CODE	DF	F0	P	F	ZONE	LTR		DESCRIPTION			
5327								F	REV PER 063D-0468-03	3-04	DN



SECTION A-A



RECOMMENDED PRINTED CIRCUIT BOARD LAYOUT (CONNECTOR SIDE)



- ① MARK AMP, PART NO., DATE CODE
- ② NUMBERS INDICATING END POSITIONS MARKED THIS SIDE ONLY.
- ③ .000050 GOLD IN CONTACT AREA, SELECTIVE OVER NICKEL TIN ON CONTACT TAILS. CONTACT MATL: BRASS.
- ④ HOUSING MATERIAL: LIQUID CRYSTAL POLYMER PER MIL-M-24519, GLCP-30F; COLOR: GRAY.
- ⑤ MEETS REQUIREMENTS OF MIL-C-55302.
- ⑥ FEATURE NOT PRESENT ON 20 THRU 50 POSITIONS.

1-40	1.950 [49.53]	39	2.250 [57.15]	1.790 [45.47]	2.400 [60.96]	2.470 [62.74]	2.650 [67.31]	80	534163-4
1-35	1.700 [43.18]	34	2.000 [50.80]	1.540 [39.12]	2.150 [54.61]	2.220 [56.39]	2.400 [60.96]	70	534163-3
1-25	1.200 [30.48]	24	1.500 [38.10]	1.040 [26.42]	1.650 [41.91]	1.720 [43.81]	1.900 [48.26]	50	534163-2
1-64	3.150 [80.01]	63	3.450 [87.63]	2.990 [75.95]	3.600 [91.44]	3.670 [93.22]	3.850 [97.79]	128	534163-1
②	Z	Y	S	V	U	T	X	NO OF CONTACTS	PART NO.

DO NOT SCALE PRINT. UNLESS SPECIFIED DIMENSIONS IN INCHES TOLERANCES ON:	DR 9-12-89 T. WIEST	AMP INCORPORATED Harrisburg, Pa. 17105
2 PLC DEC $\pm$ .005	CHK 1-6-92 D. GUTTER	
3 PLC DEC $\pm$ .005	APPD 1-6-92 D. GUTTER	
ANGLES $\pm$ 0° 30'	APPD 1-6-92 D. GUTTER	
MATERIAL	PRODUCT SPEC	NAME
FINISH	APPLICATION SPEC	ASSEMBLY, PIN HEADER, MINI-BOX RIGHT ANGLE
WEIGHT		SIZE
		D 00779
		DRAWING NO
		534163
		SCALE
		5:1
		SHEET
		1 OF 1

单击下面可查看定价，库存，交付和生命周期等信息

[>>TE Connectivity\(泰科\)](#)