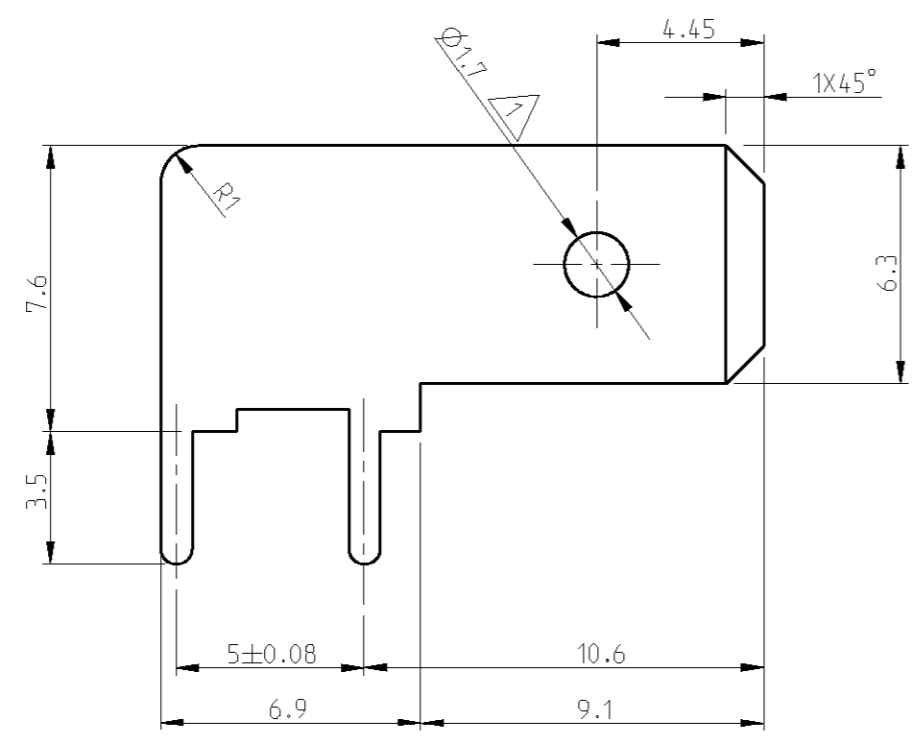
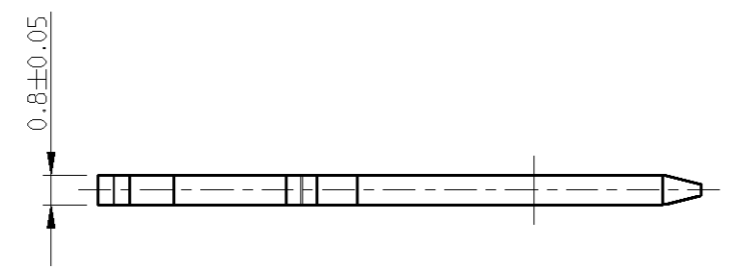


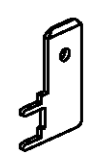
THIS DRAWING IS UNPUBLISHED. RELEASED FOR PUBLICATION  
 © COPYRIGHT BY - ALL RIGHTS RESERVED.

LOC	DIST	REVISIONS				
P	LTR	DESCRIPTION	DATE	DWN	APVD	
A1	-					
	A2	REVISED PER ECO-11-005301	13APR11	RK	HMR	



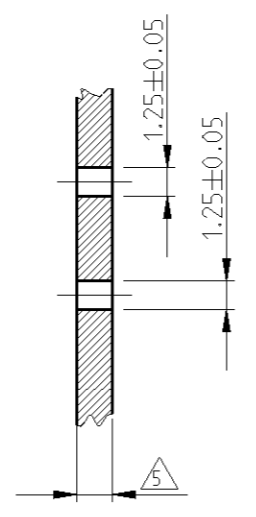
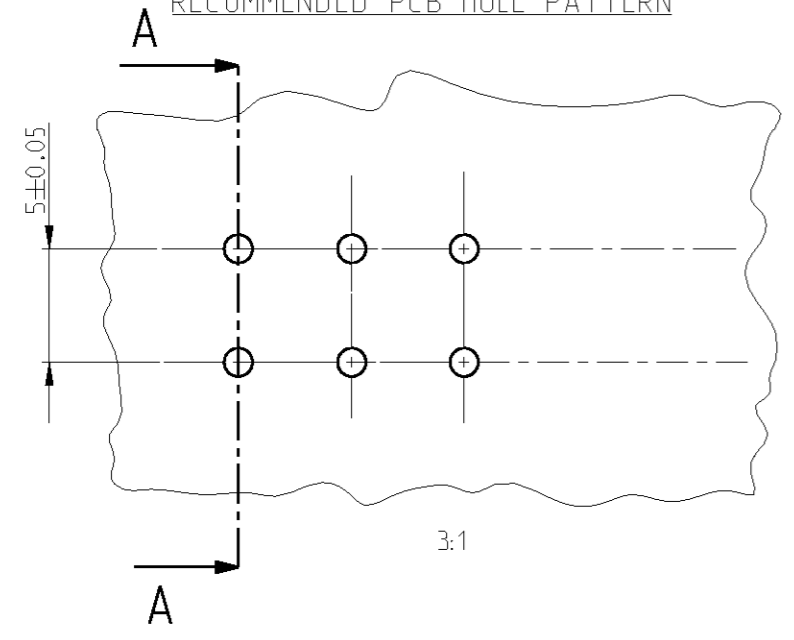
NOTES/BEMERKUNG

- 1 AUSFÜHRUNG 928814-4/-5/-6 OHNE LOCH  
EXECUTION 928814-4/-5/-6 WITHOUT HOLE
- 2 3-7 µm Sn ÜBER 0.8 -1.5 µm Ni  
3-7 µm Sn OVER 0.8-1.5 µm Ni
- 3 4-8 µm Sn  
4-8 µm Sn
- 4 ANLIEFERUNGSZUSTAND: EINZELWARE IN VERSANDKARTON  
DELIVERED STATE : LOOSE PIECE IN CORRUGATED SHIPPING BOX
- 5 LEITERPLATTENDICKE NACH EN 60249-2-4. TABELLE 3  
PCB-THICKNESS TO EN 60249-2-4. TABLE 3
- 6 OBSOLETE



SCALE 1:1

EMPFOHLENES LEITERPLATTEN LOCHBILD  
RECOMMENDED PCB HOLE PATTERN



1	FINISH	MATERIAL	PART NO	REV
	BLANK	Cu Zn 30	928814-6	A
	3		928814-5	A
	2		928814-4	A
	BLANK		928814-3	A
	3		928814-2	A
	2	Cu Zn 30	928814-1	A

DWN Dhanesh 06-Sep-07												
CHK W.Hoffman 04-Okt-07												
APVD Gerlach		NAME										
PRODUCT SPEC		SOLDER TAB 6.3x0.8 FOR PCB										
APPLICATION SPEC		RESTRICTED TO										
MATERIAL SEE TABLE		SIZE A3	CAGE CODE C=928814									
TOLERANCES UNLESS OTHERWISE SPECIFIED: ±0.2		DRAWING NO										
<table border="1"> <tr> <td>PLC</td> <td rowspan="4">±2°</td> </tr> <tr> <td>1 PLC</td> </tr> <tr> <td>2 PLC</td> </tr> <tr> <td>3 PLC</td> </tr> <tr> <td>ANGLES</td> <td>±2°</td> </tr> <tr> <td>FINISH</td> <td>SEE TABLE</td> </tr> </table>		PLC	±2°	1 PLC	2 PLC	3 PLC	ANGLES	±2°	FINISH	SEE TABLE	SCALE 2:1	
PLC	±2°											
1 PLC												
2 PLC												
3 PLC												
ANGLES	±2°											
FINISH	SEE TABLE											
WEIGHT -		SHEET 1 OF 1										
CUSTOMER DRAWING		REV A2										

单击下面可查看定价，库存，交付和生命周期等信息

[>>TE Connectivity\(泰科\)](#)