

THIS DRAWING IS UNPUBLISHED.

RELEASED FOR PUBLICATION

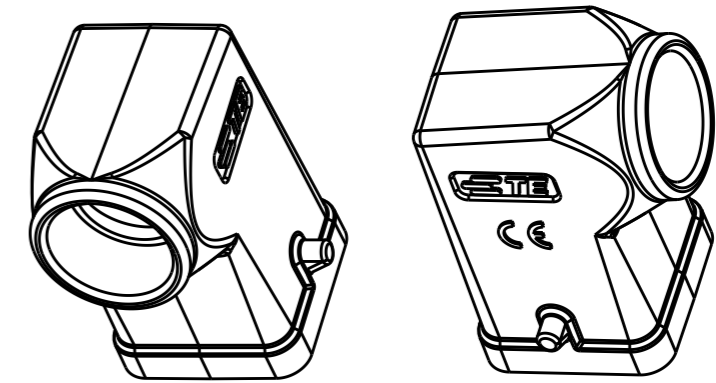
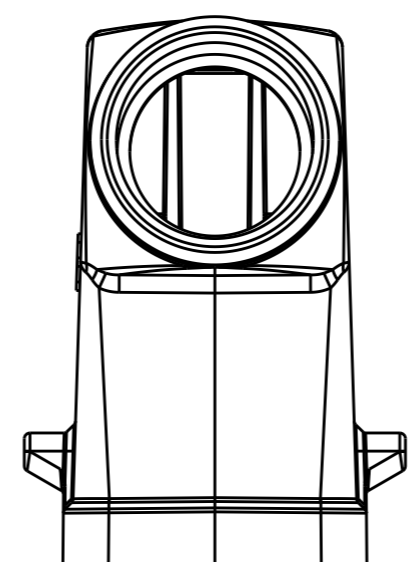
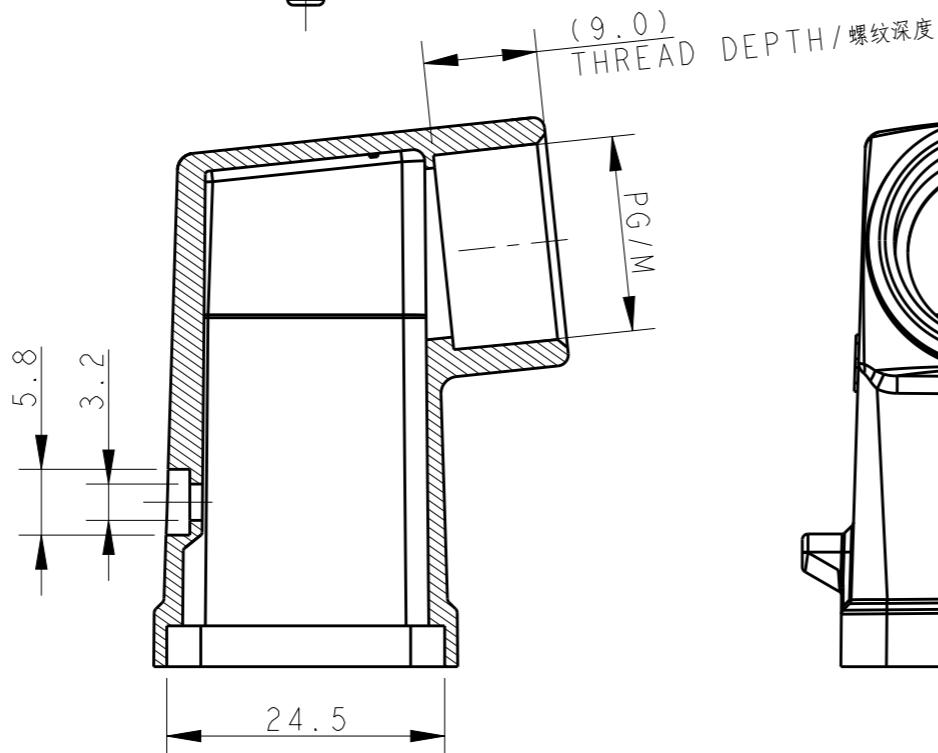
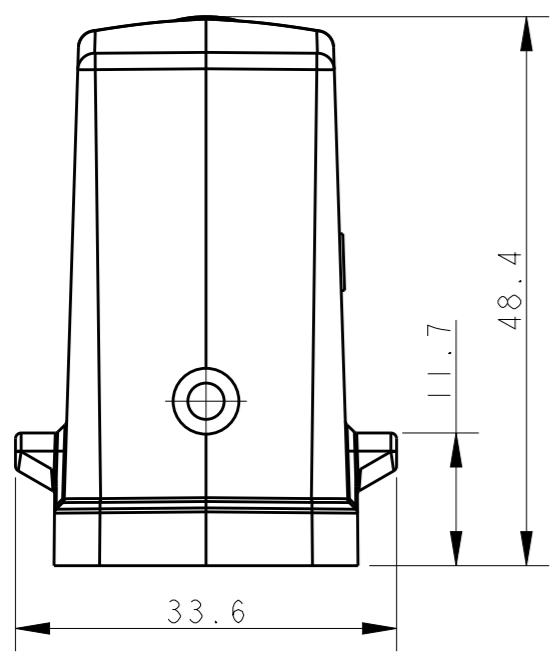
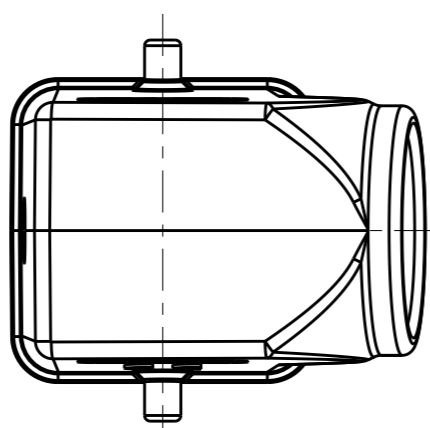
20

© COPYRIGHT 20 BY -

ALL RIGHTS RESERVED.

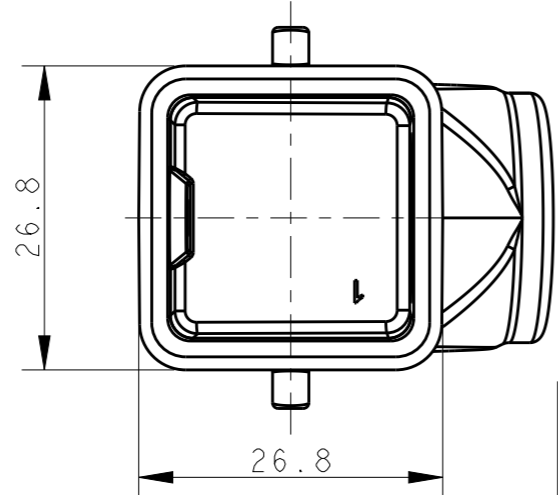
REVISIONS

P	LTR	DESCRIPTION	DATE	DWN	APVD
	A	INITIAL RELEASE	21APR2015	DL	CW
	A1	ECR-17-009215	24JUN2017	OY	CW
	B	ECR-20-007762	23NOV2020	BS	CW




NOTES:
 1. TECHNICAL CHARACTERISTICS:
 BODY MATERIAL: DIE CAST ZINC ALLOY
 SURFACE TREATMENT: POWDER-COATED, GRAY
 DEGREE OF PROTECTION: IP65 (MATED)

注释:
 1. 技术参数:
 主体材料: 锌合金
 表面处理: 粉末喷涂, 灰色
 防护等级: IP65(配合)



T1319030111-000	H3A-MTS-PG11	H3A HOOD, SIDE ENTRY PG11, 2 EAR, POWDER COATED, GREY H3A上壳, 侧出PG11, 2耳, 灰色粉末喷涂	PG11
T1319030120-000	H3A-MTS-M20	H3A HOOD, SIDE ENTRY M20, 2 EAR, POWDER COATED, GREY H3A上壳, 侧出M20, 2耳, 灰色粉末喷涂	M20X1.5
PART NUMBER 料号	PART DESCRIPTION 描述		PG/M

THIS DRAWING IS A CONTROLLED DOCUMENT.		DWN 21APR2015 DAVID LI	 TE Connectivity	
DIMENSIONS: mm		CHK 21APR2015 CHRIS WANG		
TOLERANCES UNLESS OTHERWISE SPECIFIED:		APVD 21APR2015 XU XIANG	NAME H3A-MTS-PG/M	
0 PLC ±-		PRODUCT SPEC 108-137012	SIZE A3	
1 PLC ±-		APPLICATION SPEC 114-137012	CAGE CODE -	
2 PLC ±-		WEIGHT -	DRAWING NO C-T13190301XX000	
3 PLC ±-		CUSTOMER DRAWING	RESTRICTED TO	
4 PLC ±-			SCALE 3:2 SHEET 1 OF 1 REV B	
ANGLES ±-				
FINISH				
MATERIAL				

单击下面可查看定价，库存，交付和生命周期等信息

[>>TE Connectivity\(泰科\)](#)