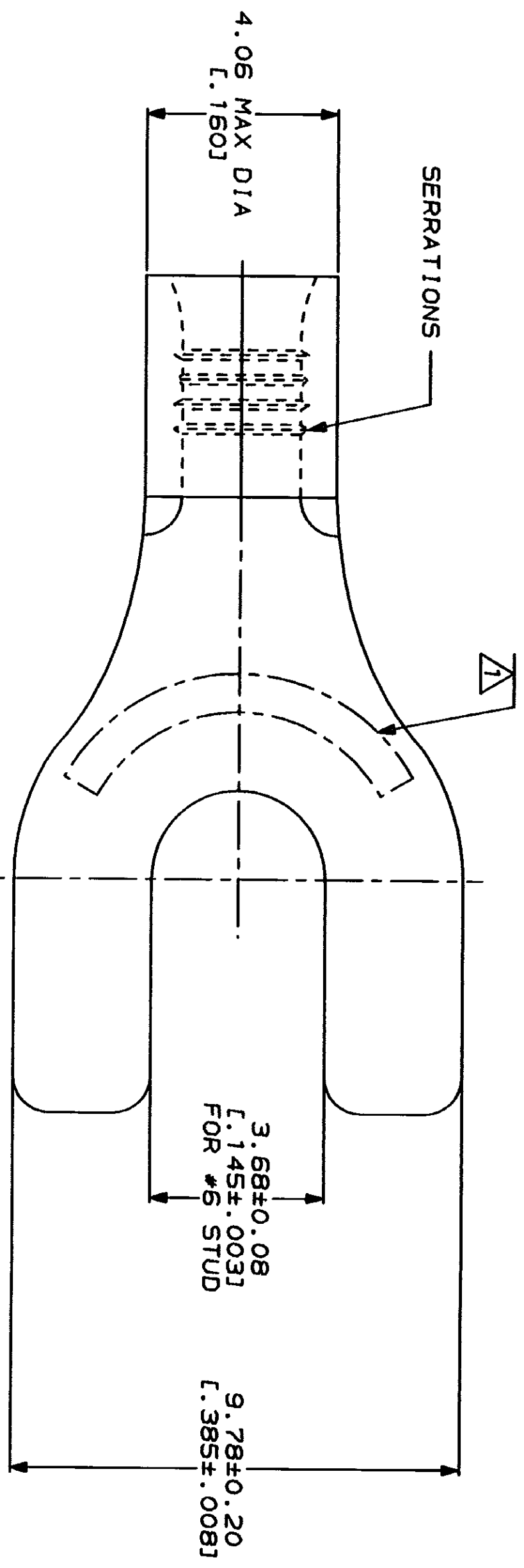
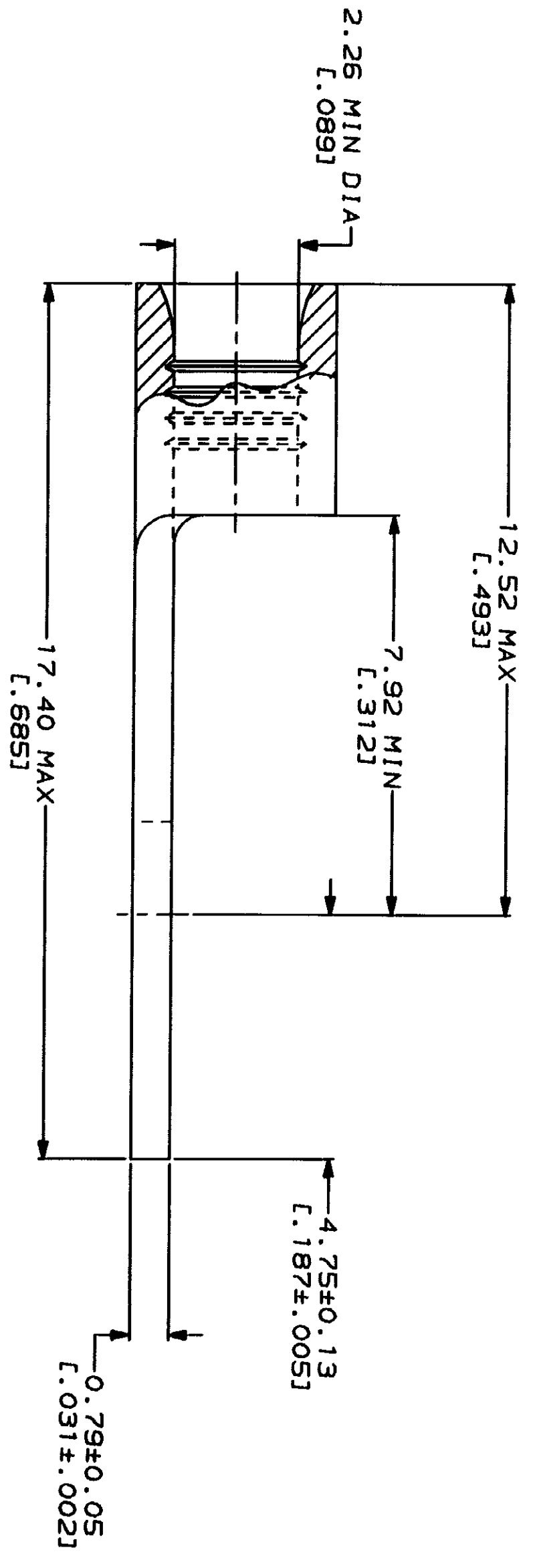


LOC	DIST	ZONE	LTR	REVISIONS	DATE	APPD
G	14	B	REVISED PER 0720-0230-93		2/25/94	DAL

**METRIE**  
DIMENSIONS LISTED IN mm [ INCHES ]



<b>AMP</b> WIRE RANGE	<b>IL</b> E13288 Listed
16-14 AWG STRANDED	16-14 AWG STRANDED
<b>AMP</b> LR7189 Certified	MILITARY P/N AND CLASS
NOT CERTIFIED	NOT APPLICABLE



AMP INCORPORATED  
CUSTOMER SERVICE SYSTEMS

FOR ADDITIONAL PRODUCT INFORMATION OR COPIES OF DRAWINGS AND TECHNICAL DOCUMENTS	PRODUCT INFORMATION CENTER 1-800-522-6752	VOLTAGE RATING: NOT APPLICABLE	MAX RECOMMENDED OPERATING TEMPERATURE: 170°C MAX
FOR APPLICATION TOOLING INFORMATION	TOOLING ASSISTANCE CENTER 1-800-722-1111	WIRE CROSS SECTIONAL AREA RANGE: 1.04-2.62mm <sup>2</sup> [2,050-5,180] CIR MILS STRANDED	
FOR ORDER ENTRY	1-800-526-5142		

DO NOT SCALE PRINT. UNLESS SPECIFIED DIMENSIONS IN MILLIMETERS - FINISHES - TOLERANCES ON: 1. PLC DEC ± .1 2. PLC DEC ± .1 3. ANGLES ± .1

FINISH: TIN PLATE  
0.00254L [0.00100] MIN THK PER MIL-T-10727

DR 2-17-93 TA BRINKMAN	NAME	AMP	AMP Incorporated Harrisburg, PA 17105-3508
CHK 2-17-93 DA PATTERSON	TERMINAL, SPADE TONGUE, BUDGET		
APPD 2-17-93 DE MILLER	SIZE	CAGE CODE	DRAWING NO
APPD 2-17-93 JL HECKLEY	G	00779	G-31704
PRODUCT SPEC	SCALE	10:1	SHEET
APPLICATION SPEC			1 OF 1

31704  
PART NO

单击下面可查看定价，库存，交付和生命周期等信息

[>>TE Connectivity\(泰科\)](#)