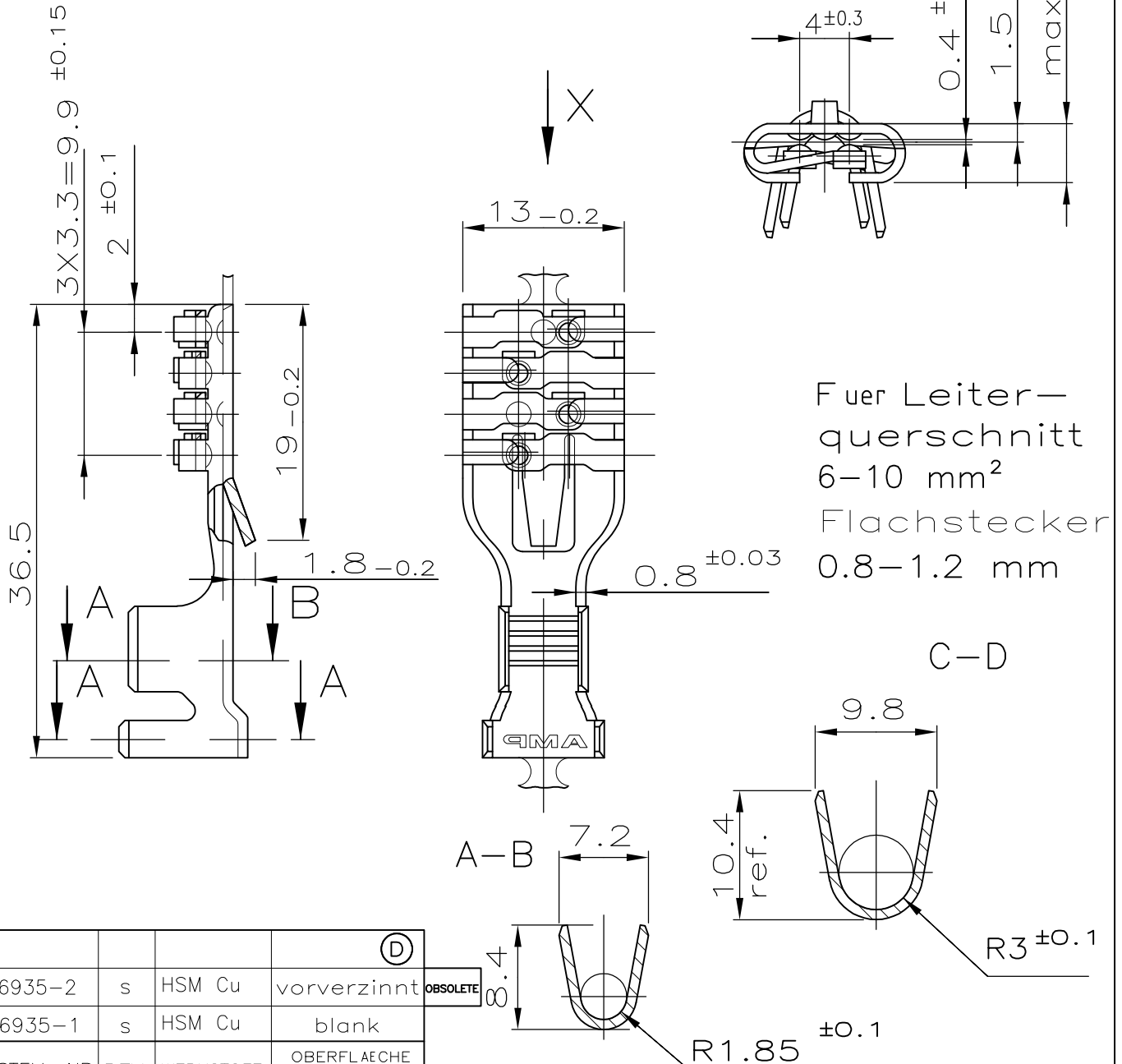


LOC	DIST	REVISIONS					
A1	—	P	LTR	DESCRIPTION	DATE	DWN	APVD
		S1		DIMENSION UPDATED	03JUN2011	PKS	RRP
		S2		REVISED PER ECR-15-015288	03NOV2015	L.P	T.D

Ansicht "X"
VIEW "X"



RELEASED FOR PUBLICATION

ALL RIGHTS RESERVED.

THIS DRAWING IS UNPUBLISHED.

By -

				Ⓧ
926935-2	s	HSM Cu	vorverzinkt	OBSELETE
926935-1	s	HSM Cu	blank	
BESTELL-NR.	REV.	WERKSTOFF	OBERFLAECHE	
			FARBE	

DIMENSIONS:
mm

DWN B. Buxbaum 8DEC1994

MATERIAL HSM Cu

FINISH -

TOLERANCES UNLESS OTHERWISE SPECIFIED:

CHK -



APVD -

PRODUCT SPEC -

NAME COMBI-CONTACT
FUER FLACHSTECKER 6.3-9.5

APPLICATION SPEC -

WEIGHT -

SIZE	CAGE CODE	DRAWING NO	RESTRICTED TO
A4	00779	C-926935	-

CUSTOMER DRAWING

1.5

SCALE 2:1

SHEET 1 OF 1

REV S2

单击下面可查看定价，库存，交付和生命周期等信息

[>>TE Connectivity\(泰科\)](#)