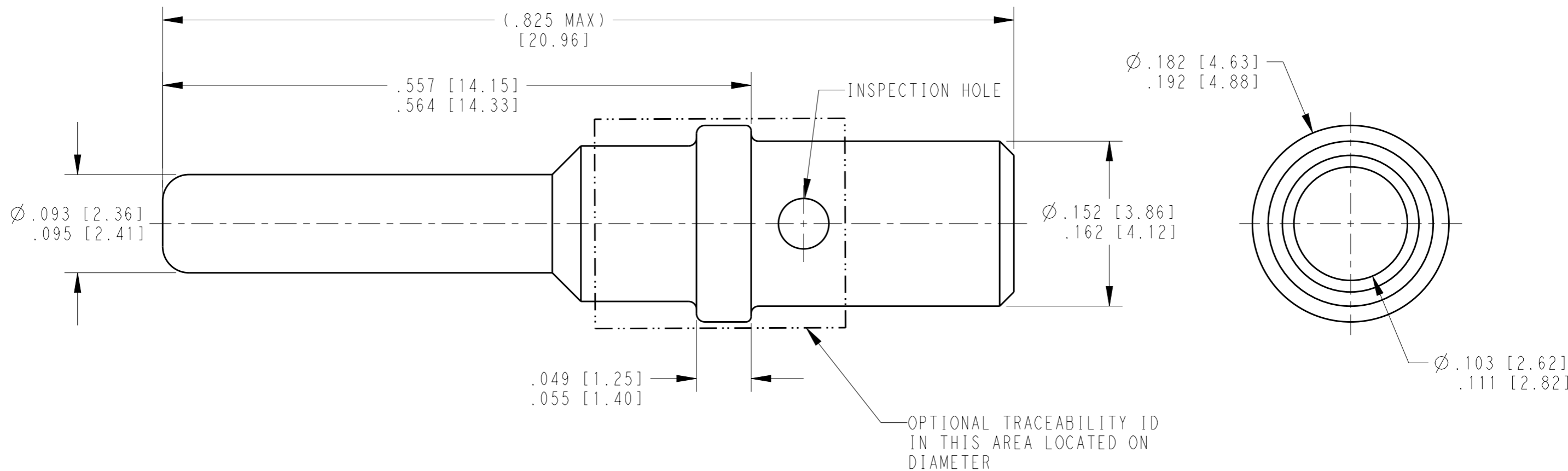


THIS DRAWING IS UNPUBLISHED  
 RELEASED FOR PUBLICATION 2018  
 © COPYRIGHT 1984 BY TE CONNECTIVITY ALL RIGHTS RESERVED.

REVISIONS					
P	LTR	DESCRIPTION	DATE	DWN	APVD
A		REDRAWN PER E.O. A13367	16MAR1993		JA
B		REVISED AND REDRAWN PER EO P18855	14MAR2005	JA	RDR
C		REVISED PER PCN E-18-001206	24JAN2018	JA	DM
C1		REVISED PER PCN E-19-018080	19NOV2019	MK	DM



TE INTERNAL PN	DEUTSCH PN	PLATING
0460-220-1231	0460-220-1231	GOLD

(C1) 1. SEE APPLICATION SPECIFICATION 114-151004 FOR CRIMP TOOLS AND WIRE RANGE.

NOTES:

THIS DRAWING IS A CONTROLLED DOCUMENT.		DWN	J. APOSTOL	04MAR2005	 TE Connectivity	NAME CONTACT PIN SIZE 12
DIMENSIONS: INCHES [mm]		CHK	B. BYFORD	14MAR2005		
TOLERANCES UNLESS OTHERWISE SPECIFIED:		APVD	R. REED	14MAR2005		
0 PLC ± 1 PLC ± 2 PLC ± 3 PLC ± 4 PLC ± ANGLES ±		PRODUCT SPEC	108-151004			
MATERIAL		APPLICATION SPEC	114-151004		SIZE	A3
FINISH		WEIGHT			CAGE CODE	4AFU8
		CUSTOMER DRAWING			DRAWING NO	0460-220-12XX
					RESTRICTED TO	-
					SCALE	10:1
					SHEET	1 OF 1
					REV	C1

单击下面可查看定价，库存，交付和生命周期等信息

[>>TE Connectivity\(泰科\)](#)