

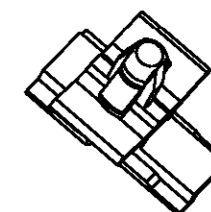
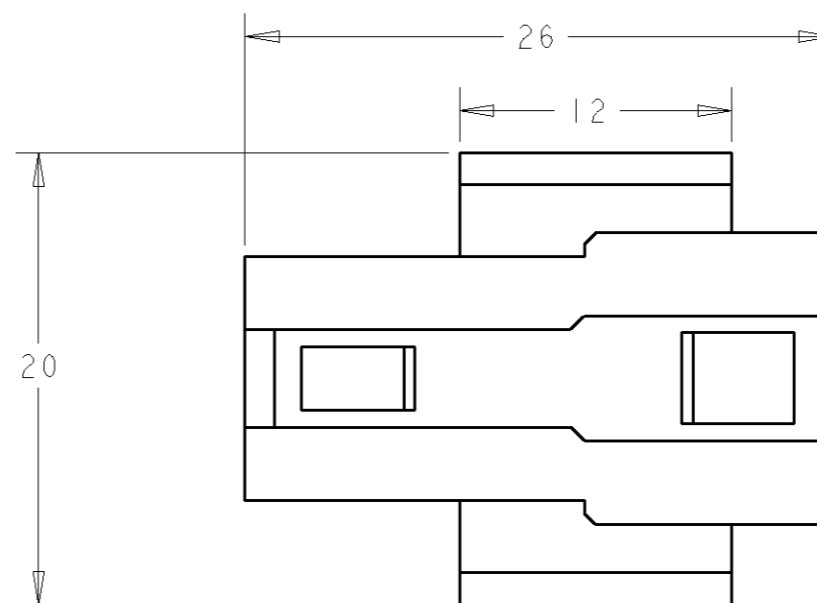
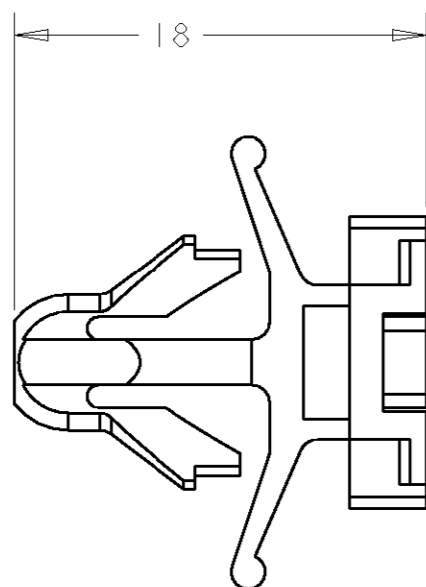
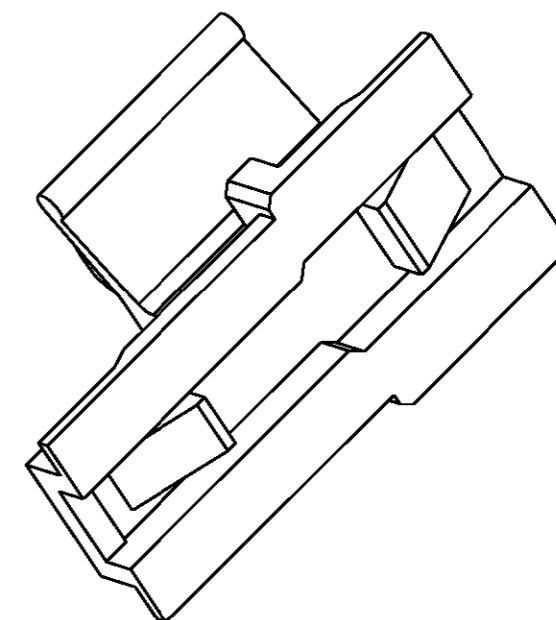
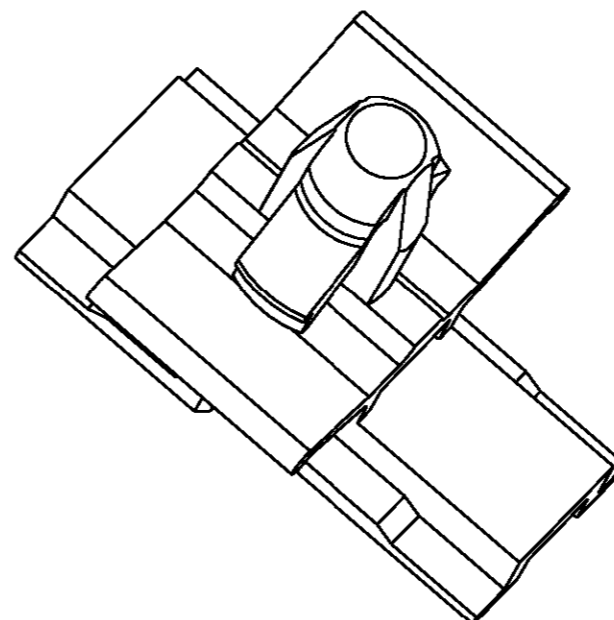
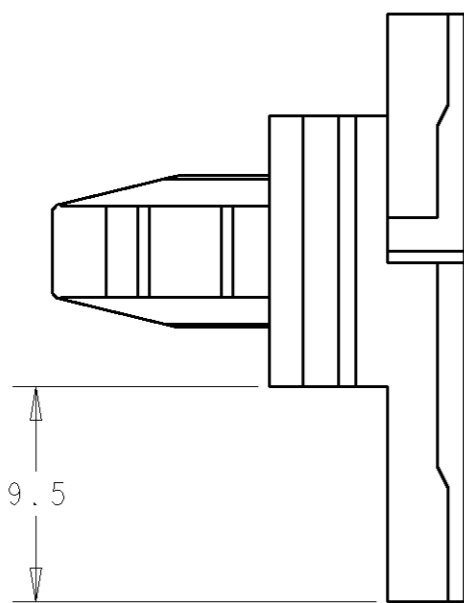
THIS DRAWING IS UNPUBLISHED.

RELEASED FOR PUBLICATION

© COPYRIGHT

ALL RIGHTS RESERVED.

LOC	DIST	REVISIONS			
P	LTR	DESCRIPTION	DATE	DWN	APVD
E	B	B1	12APR11	RK	HMR
		REVISED PER ECO-11-005294			




SCALE 1:1

NOTE:  
 PRODUCT MAY EXHIBIT A GREEN TINGE DUE TO COPPER SALTS  
 IN THE NATURAL RESIN MATERIAL ON PART NUMBER 345484-1

PANEL THICKNESS - 0.8 - 1.6mm  
 PANEL HOLE SIZE - 6.5 - 7.0 mm  
 MINIMUM PULL OUT FORCE - 10 KG

NATURAL	NYLON 66	345484-1
COLOUR	MATERIAL	PART NUMBER

DWN R. RUNAGAL 14AUG1990		 TE Connectivity			
CHK P. TANNER 14AUG1990					
APVD J. PALMER 14AUG1990					
PRODUCT SPEC		NAME			
APPLICATION SPEC		DUAL PURPOSE BODY CLIP FOR 040 OR 070 MULTILOCK HOUSINGS			
WEIGHT		SIZE	CAGE CODE	DRAWING NO	RESTRICTED TO
-		A3	00779	345484	-
MATERIAL		SCALE		SHEET	OF
-		3:1		1	1
FINISH		REV		B1	
-		CUSTOMER DRAWING			

单击下面可查看定价，库存，交付和生命周期等信息

[>>TE Connectivity\(泰科\)](#)