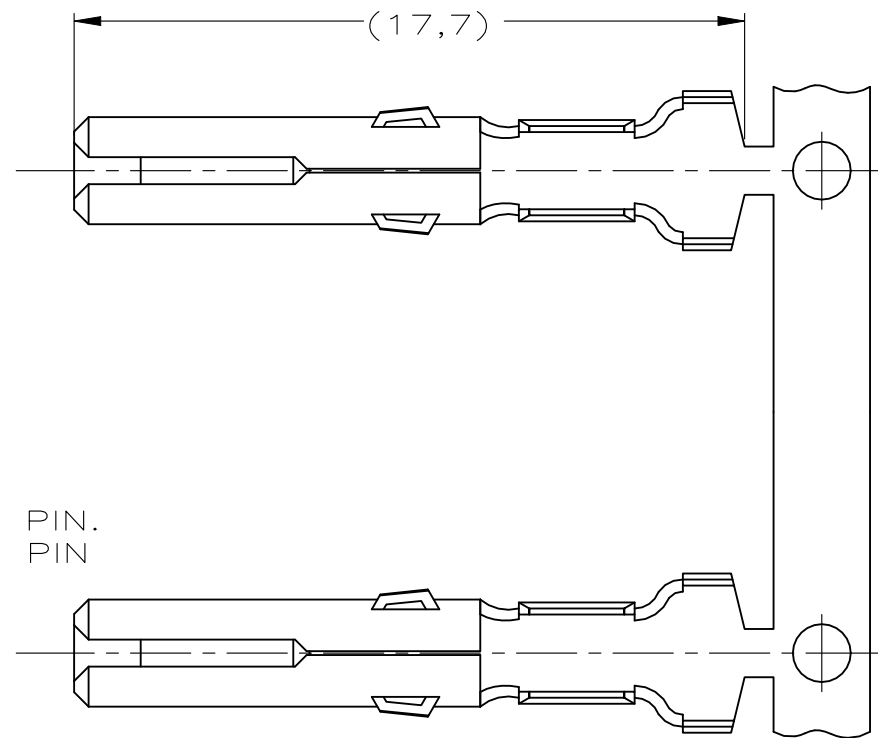
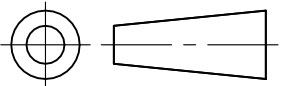


DO NOT SCALE
DIMENSIONS IN mm

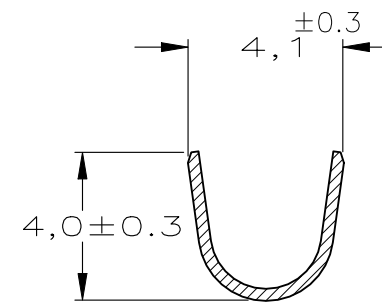
METRIC

THIRD ANGLE
PROJECTION

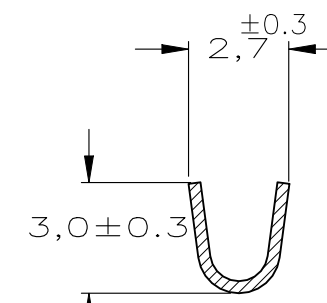


NOTES:

- ① FOR USE ON STANDARD APPLICATORS.(RIGHT-LEFT FEED)
- ② FOR USE ON MINIATURE APPLICATORS.(LEFT-RIGHT FEED)
- ③ FOR USE ON MINIATURE APPLICATORS, AMP O-MATOR APPLICATION.(LEFT-RIGHT FEED)
- ④ OBSOLETE PARTS: OBSOLETE CIS STREAMLINING PER D.RENAUD/D.SINISI

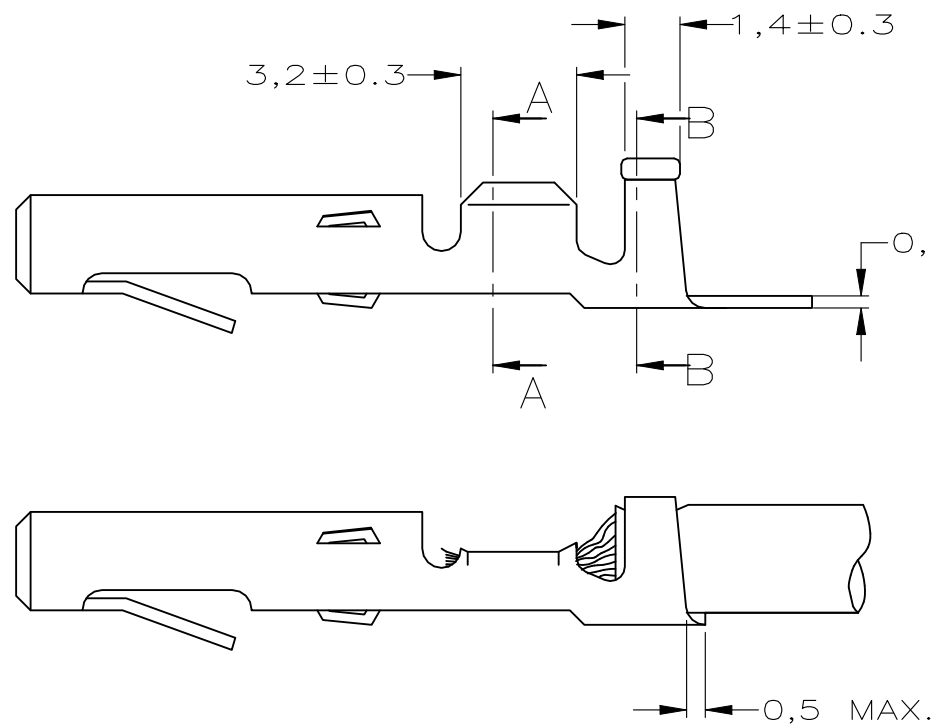


SECTION B-B



SECTION A-A

WIRE RANGE :
0,5-1,0mm² AWG
INSULATION RANGE :
1,8-3,3mm DIA.



④	OBSOLETE	②	SEL. GOLD	BRASS	8=163300=1
	OBSOLETE	③	PRE-TINPLATED	BRASS	1=163300=5
		②	PRE-TINPLATED	PHOSPHOR BR.	163300=8
	OBSOLETE	②	UNPLATED	PHOSPHOR BR.	163300=7
		②	PRE-TINPLATED	BRASS	163300=6
	OBSOLETE	②	UNPLATED	BRASS	163300=5
④	OBSOLETE	①	PRE-TINPLATED	PHOSPHOR BR.	163300=4
		①	UNPLATED	PHOSPHOR BR.	163300=3
		①	PRE-TINPLATED	BRASS	163300=2
	OBSOLETE	①	UNPLATED	BRASS	163300=1
			PLATING	PLATING	MATERIAL
					PARTNUMBER

—					CUSTOMER DRAWING		FOR REFERENCE ONLY WILL NOT BE UPDATED	
—					©		COPYRIGHT - BY	
—							ALL INTERNATIONAL RIGHTS RESERVED.	
—							THIS DRAWING IS UNPUBLISHED RELEASED FOR PUBLICATION	
J4	REVISED PER ECR-21-111103	PJ	VS	18AUG2021	TE Connectivity		NAME	
J3	REVISED PER ECR-21-101087	PJ	VS	11MAY2021			SOCKET MATE-N-LOK.	
J2	REVISED PER ECO-11-005294	RK	HMR	13APR11				
LTR.	REVISION RECORD	DR.	CHK.	DATE				
DR.: J.V.D.HEIJDEN.		CHK.: A.BIJNEN.		APP.: L.V.SOEST.		DWG.No.		REV.LTR.
DATE: 10-04-92		DATE: -		DATE: -		163300		J4
								SHEET
								1 OF 1
								A3

单击下面可查看定价，库存，交付和生命周期等信息

[>>TE Connectivity\(泰科\)](#)