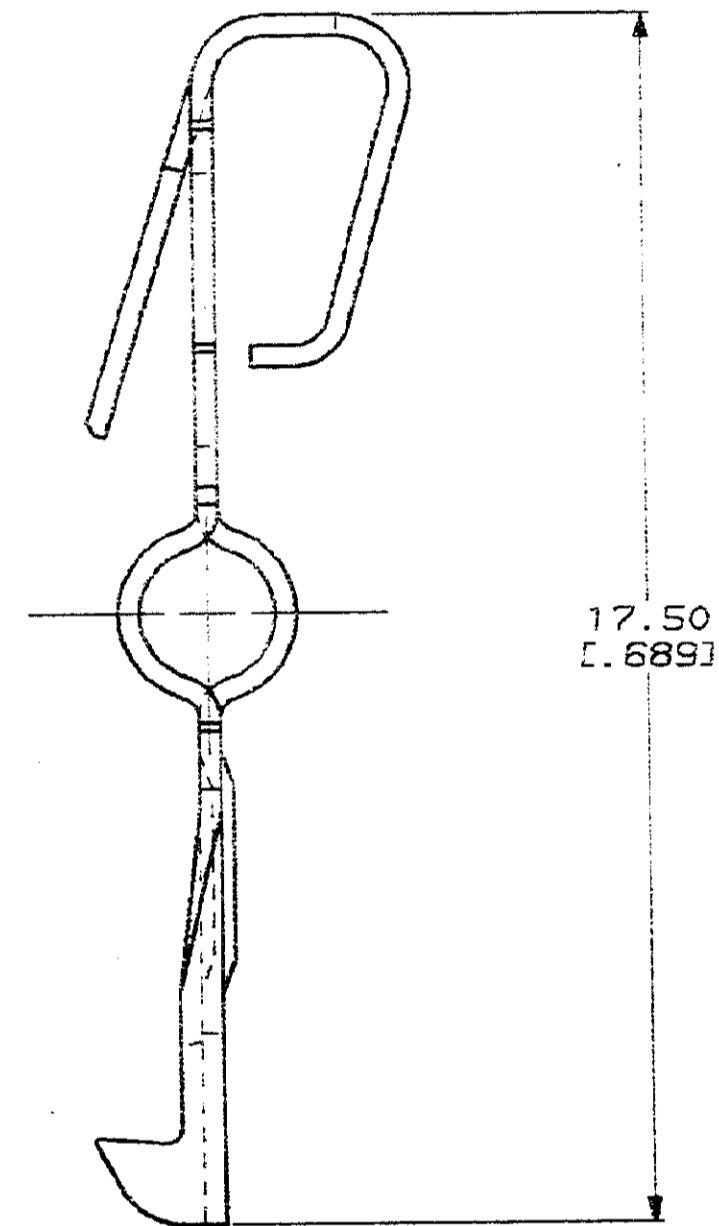
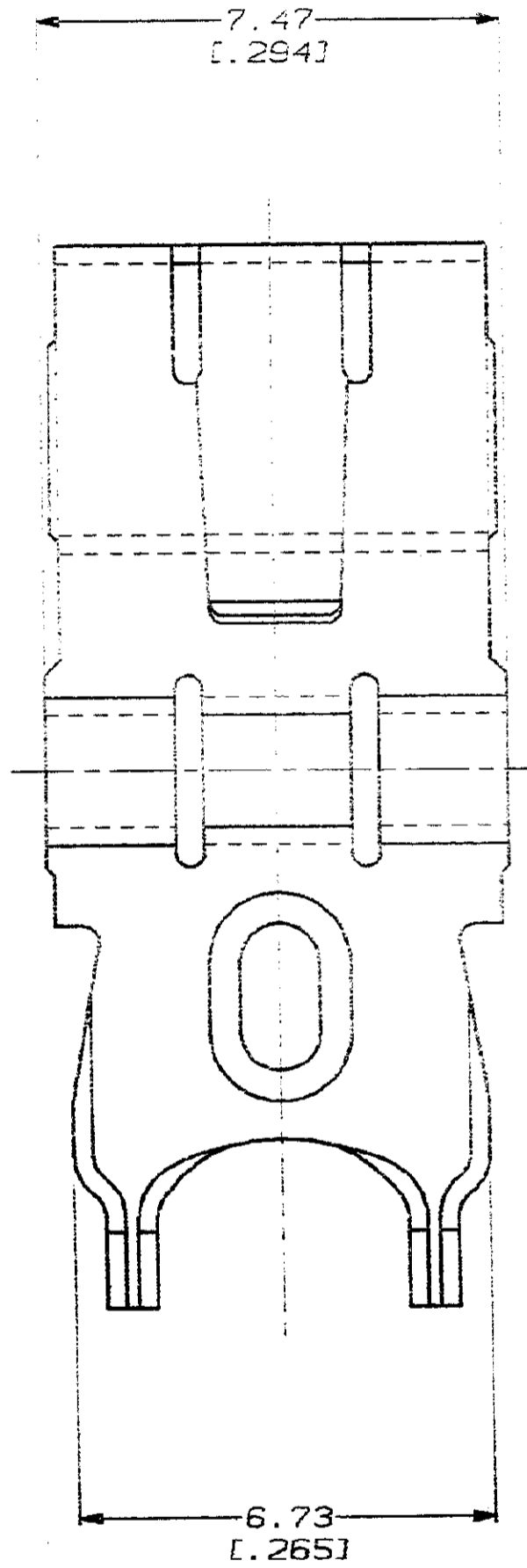


DRAWING MADE IN THIRD ANGLE PROJECTION

THIS DRAWING IS UNPUBLISHED. RELEASED FOR PUBLICATION .19
 © COPYRIGHT 19 BY AMP INCORPORATED. ALL INTERNATIONAL RIGHTS RESERVED.

NO		LOC		DIST		ZONE		LTR		REVISIONS	
NO	LOC	DIST	ZONE	LTR	DESCRIPTION	DATE	APPD				
8	BD	39			0 RELEASED	12/04/90					



749122-1

PART NO

DO NOT SCALE PRINT.
 UNLESS SPECIFIED
 DIMENSIONS IN mm [INCHES]
 TOLERANCES ON:
 2 PLC DEC ± 0.51 [.020]
 3 PLC DEC ± -
 ANGLES ± -

DR 12/04/90
 B. MOYER

CHK C.-Baker 12-5-90

APPD Bob Baker 12-5-90

APPD J. Quinn 12-5-90

PRODUCT SPEC

MATERIAL
 STAINLESS STEEL

FINISH

APPLICATION SPEC

WEIGHT

AMP AMP Incorporated
 Harrisburg, PA 17105-3608

NAME
 LATCH SPRING, LP, AMPLIMITE
 .050 SERIES

SIZE	CAGE CODE	DRAWING NO
Ⓒ	00779	749122
SCALE	SHEET	
10:1	1 OF 1	

CUSTOMER DRAWING

单击下面可查看定价，库存，交付和生命周期等信息

[>>TE Connectivity\(泰科\)](#)