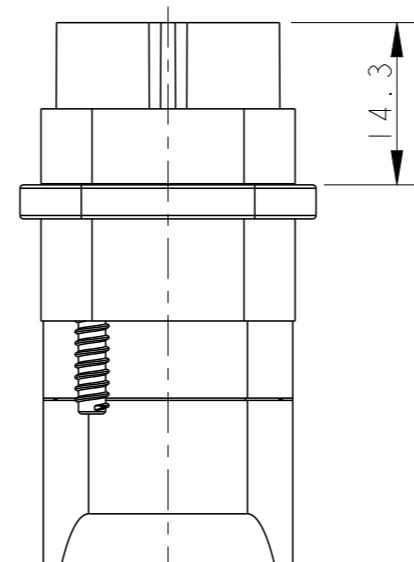
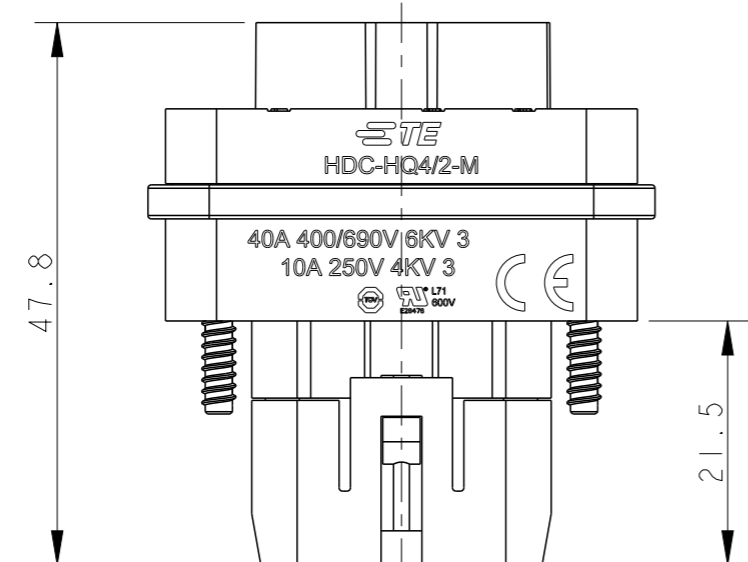
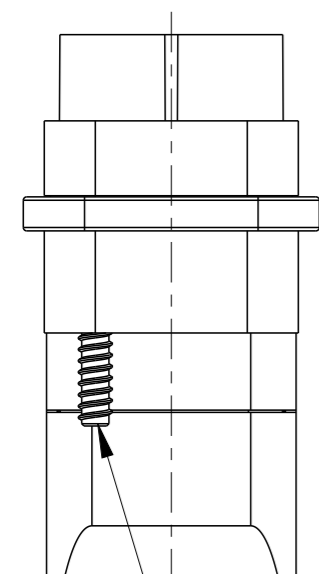
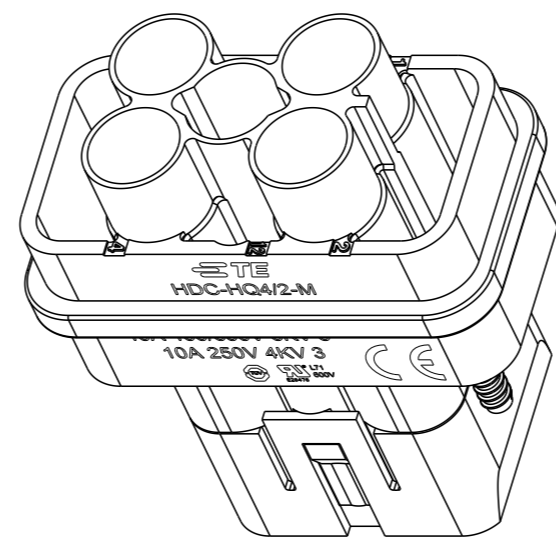
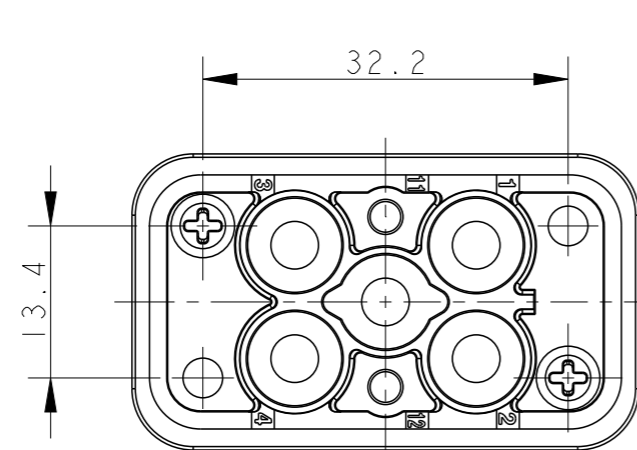


REVISIONS

P	LTR	DESCRIPTION	DATE	DWN	APVD
B1		ECR-16-000007	08JAN2016	YC	CW
B2		ECR-19-011053	15JUL2019	AL	CW
C		ECR-21-117384	09NOV2021	WQR	CW
C1		ECR-22-161571	30DEC2022	WQR	CW



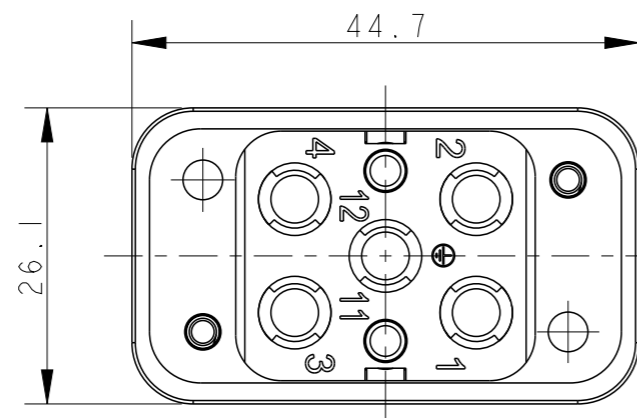
NOTES:
 1. TECHNICAL CHARACTERISTICS:
 INSULATION MATERIAL: PC
 FOR POWER SIDE:
 RATED VOLTAGE: CONDUCTOR-GROUND: 400V
 CONDUCTOR-CONDUCTOR: 690 V
 RATED CURRENT: 40 A
 RATED IMPULSE VOLTAGE: 6 KV
 POLLUTION DEGREE: 3
 FOR SIGNAL SIDE:
 RATED VOLTAGE: 250 V
 RATED CURRENT: 10 A
 RATED IMPULSE VOLTAGE: 4 KV
 POLLUTION DEGREE: 3
 INSULATION RESISTANCE: >=400MΩ
 FLAMMABILITY: UL94V-0
 MATING CYCLES: 500 CYCLES
 WIRE RANGE: POWER PIN: 1-6 mm² (18-10 AWG)
 SIGNAL PIN: 0.14-2.5 mm² (26-14 AWG)
 CONTACT TYPE: CRIMP CONTACT

2. CONTACT NEED TO BE ORDERED SEPARATELY.
 (ORDER No. REFER TO DRAWING: POWER PIN - T20400X10XX000;
 SIGNAL PIN - T20200X10XX000; GROUNDING PIN - T2042001XXX000)

注释:
 1. 技术参数:
 绝缘材料: PC
 电源侧
 额定电压: 导体-地: 400V; 导体-导体: 690V
 额定电流: 40A
 额定脉冲电压: 6 KV
 污染等级: 3
 信号侧
 额定电压: 250V
 额定电流: 10A
 额定脉冲电压: 4 KV
 污染等级: 3
 绝缘电阻: >=400MΩ
 阻燃等级: UL94V-0
 插拔次数: 500次
 接线范围: 电源PIN: 1-6 mm² (18-10 AWG)
 信号PIN: 0.14-2.5 mm² (26-14 AWG)
 接线类型: 冷压接

2. 端子需要单独订购。
 (订货号参考图面: 电源PIN - T20400X10XX000; 信号PIN - T20200X10XX000;
 接地PIN - T2042001XXX000)

2X ST2.9X10



T2080062101-100	HQ-4/2-M	HQ-4/2 MALE INSERT HQ4/2公插
PART NUMBER 料号	PART DESCRIPTION 描述	

THIS DRAWING IS A CONTROLLED DOCUMENT.	
DIMENSIONS: mm	TOLERANCES UNLESS OTHERWISE SPECIFIED:
	0 PLC ±-
	1 PLC ±-
	2 PLC ±-
	3 PLC ±-
	4 PLC ±-
	ANGLES ±-
MATERIAL	FINISH
-	-

DWN DAVID LI 31MAR2015	 TE Connectivity	NAME		
CHK CHRIS WANG 31MAR2015		HQ-4/2-M		
APVD XU XIANG 31MAR2015		PRODUCT SPEC	108-137117	SIZE
APPLICATION SPEC		114-137117	CAGE CODE	-
WEIGHT	-	DRAWING NO	RESTRICTED TO	
CUSTOMER DRAWING	-	SCALE	3:2	
		SHEET	1 OF 1	
		REV	C1	

单击下面可查看定价，库存，交付和生命周期等信息

[>>TE Connectivity\(泰科\)](#)