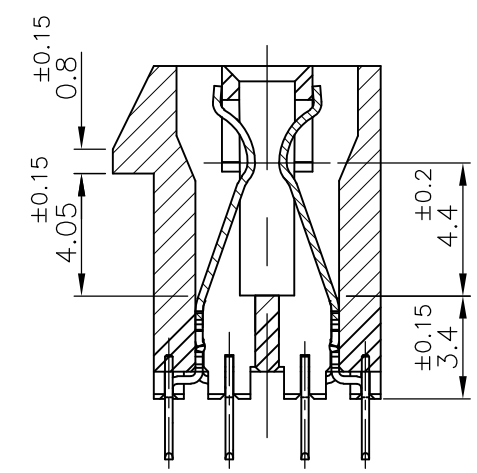
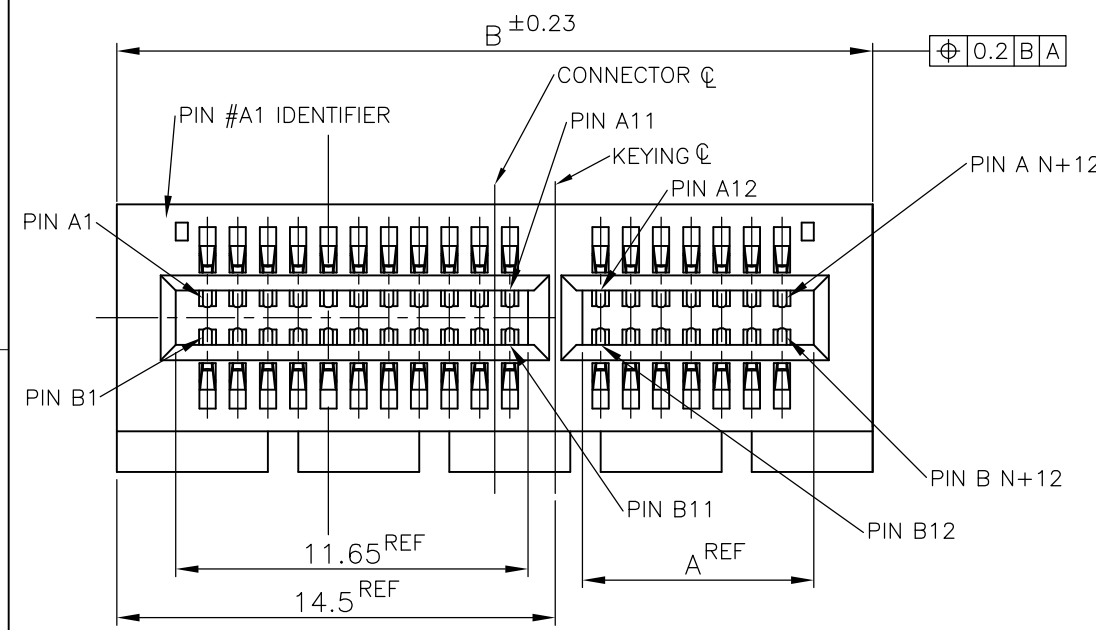
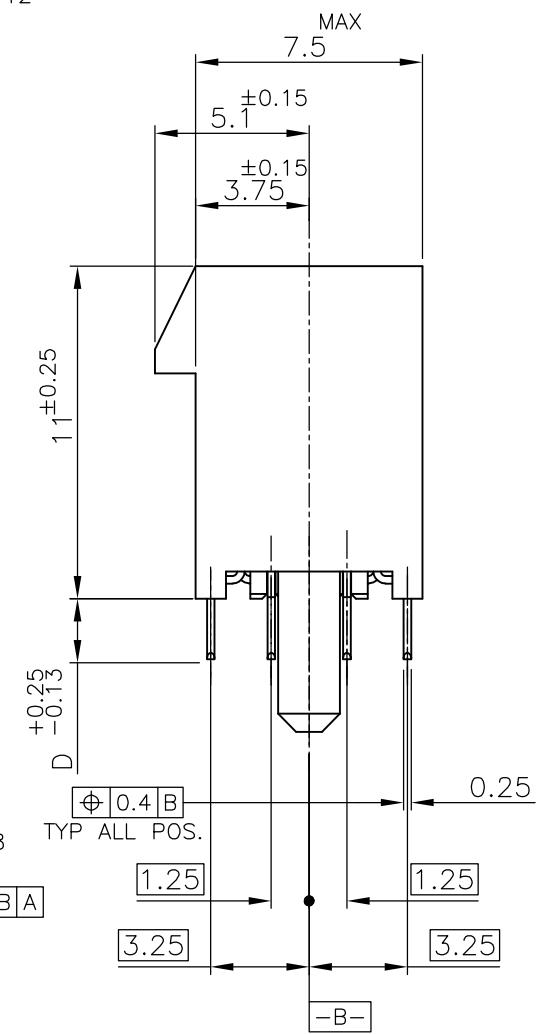
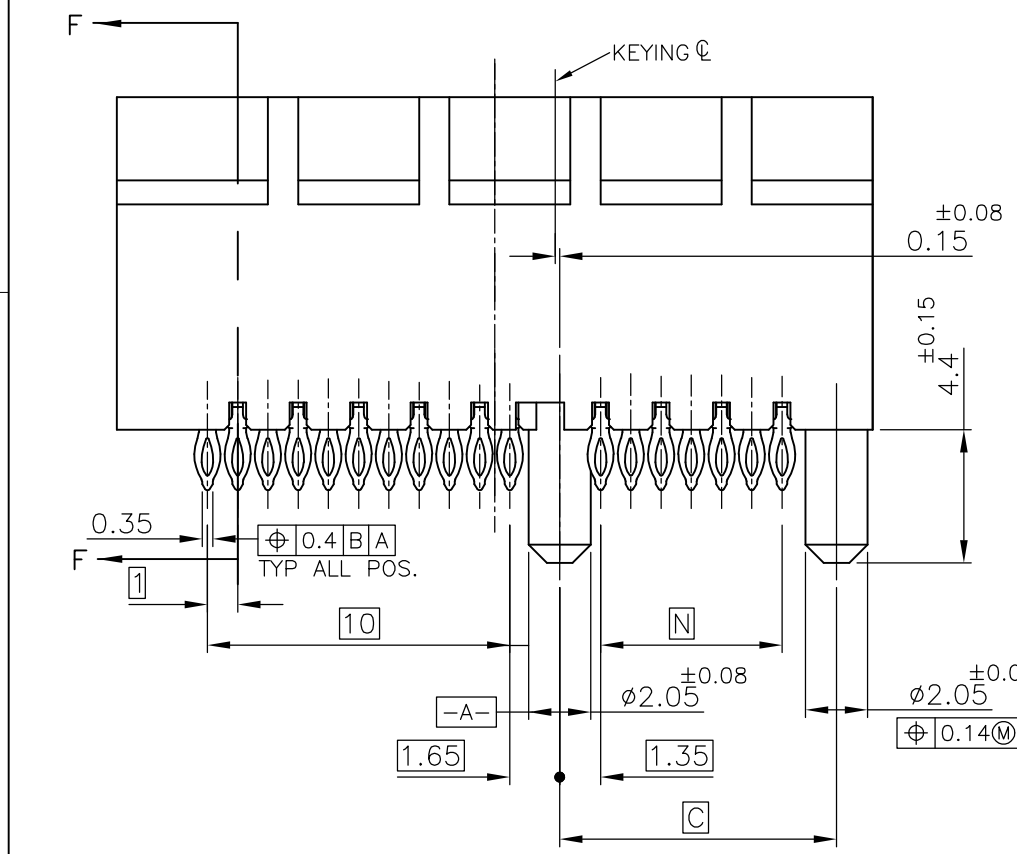


THIS DRAWING IS UNPUBLISHED. RELEASED FOR PUBLICATION JUN ,2005.  
 © COPYRIGHT 2005 By - ALL RIGHTS RESERVED.

| LOC | DIST | REVISIONS |     |                   |           |     |      |
|-----|------|-----------|-----|-------------------|-----------|-----|------|
| J   |      | P         | LTR | DESCRIPTION       | DATE      | DWN | APVD |
|     |      | H         |     | PER ECR-14-006136 | 25APR2014 | HS  | FY   |

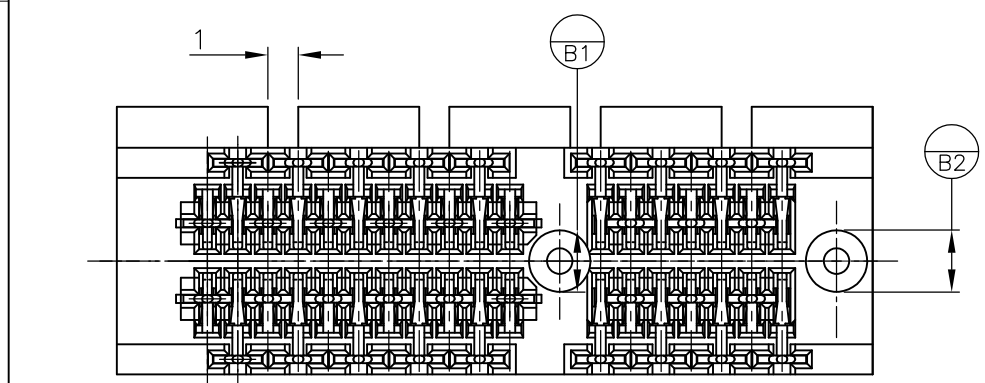


- ① MATERIAL;  
HOUSING: HIGH TEMPERATURE THERMO PLASTIC  
UL94V-0, COLOR; BLACK  
CONTACT: COPPER ALLOY
- ② FINISH;  
CONTACT AREA: GOLD PL.0.76μm MIN OVER NICKEL PL.  
COMPLIANT PIN ACTION AREA: 0.5μm MIN MATTE TIN OVER NICKEL PL.
- ③ NOT SPECIFY BY PCI EXPRESS STANDARD
- ⑤ FINISH;  
CONTACT AREA: GOLD PL.0.76μm MIN OVER NICKEL PL.  
COMPLIANT PIN ACTION AREA: 0.5μm MIN BRIGHT TIN-LEAD OVER NICKEL PL.
- ⑫ FINISH;  
CONTACT AREA: GOLD PL.0.38μm MIN OVER NICKEL PL.  
COMPLIANT PIN ACTION AREA: 0.5μm MIN MATTE TIN OVER NICKEL PL.



13 CONNECTOR HAS MET THE REQUIREMENTS PER PCI EXPRESS GEN 2 TECHNICAL DOCUMENT.  
 14 THE 2.0mm PF VERSIONS ARE GEN2 AND GEN3 COMPLIANT.

|          |                |             |     |      |        |     |        |      |     |           |    |
|----------|----------------|-------------|-----|------|--------|-----|--------|------|-----|-----------|----|
|          | ⑫              | PRODUCING   | 37  | 2.0  | 40.15  | 56  | 38.65  | 98   | 8   | 6-        | -3 |
|          | ⑫              | PRODUCING   | 70  | ↑    | 73.15  | 89  | 71.65  | 164  | 16  | 5-        | -4 |
| OBSOLETE | ↑              | PRODUCING   | 70  |      | 73.15  | 89  | 71.65  | 164  | 16  | 3-        | -4 |
| OBSOLETE | ⑤              | PRODUCING   | 37  |      | 40.15  | 56  | 38.65  | 98   | 8   | 3-        | -3 |
|          | ③              | PRODUCING   | 128 |      | 131.15 | 147 | 129.65 | 280  |     | 1-        | -5 |
|          |                | PRODUCING   | 70  |      | 73.15  | 89  | 71.65  | 164  | 16  | 1-        | -4 |
|          |                | PRODUCING   | 37  | 3.25 | 40.15  | 56  | 38.65  | 98   | 8   | 1-1871058 | -3 |
|          |                | PRODUCING   | 20  | ↑    | 23.15  | 39  | 21.65  | 64   | 4   | 1-        | -2 |
|          |                | PRODUCING   | 6   | 3.25 | 9.15   | 25  | 7.65   | 36   | 1   | 1-        | -1 |
|          |                | PRELIMINARY | 76  | ↑    | 79.15  | 95  | 77.65  | 176  | 16  |           | -7 |
|          | ③              | PRODUCING   | 128 |      | 131.15 | 147 | 129.65 | 280  |     |           | -5 |
|          |                | PRODUCING   | 70  |      | 73.15  | 89  | 71.65  | 164  | 16  |           | -4 |
|          |                | PRODUCING   | 37  | 2.0  | 40.15  | 56  | 38.65  | 98   | 8   | 1871058-3 |    |
|          |                | PRODUCING   | 20  | ↑    | 23.15  | 39  | 21.65  | 64   | 4   |           | -2 |
|          | ②              | PRELIMINARY | 6   | 2.0  | 9.15   | 25  | 7.65   | 36   | 1   | 1871058-1 |    |
| FINISH   | TOOLING STATUS | N           | D   | C    | B      | A   | POS.   | PORT | P/N |           |    |



THIS DRAWING IS A CONTROLLED DOCUMENT.

DWN T.KATANO 02DEC05  
 CHK R.MURAYAMA 02DEC05  
 APVD K.KODAIRA 02DEC05

NAME 名称: PCI EXPRESS CARD EDGE CONN. WITH COMPLIANT PIN V-TYPE

PRODUCT SPEC 製品規格: 108-78340

APPLICATION SPEC 取付適用規格

WEIGHT

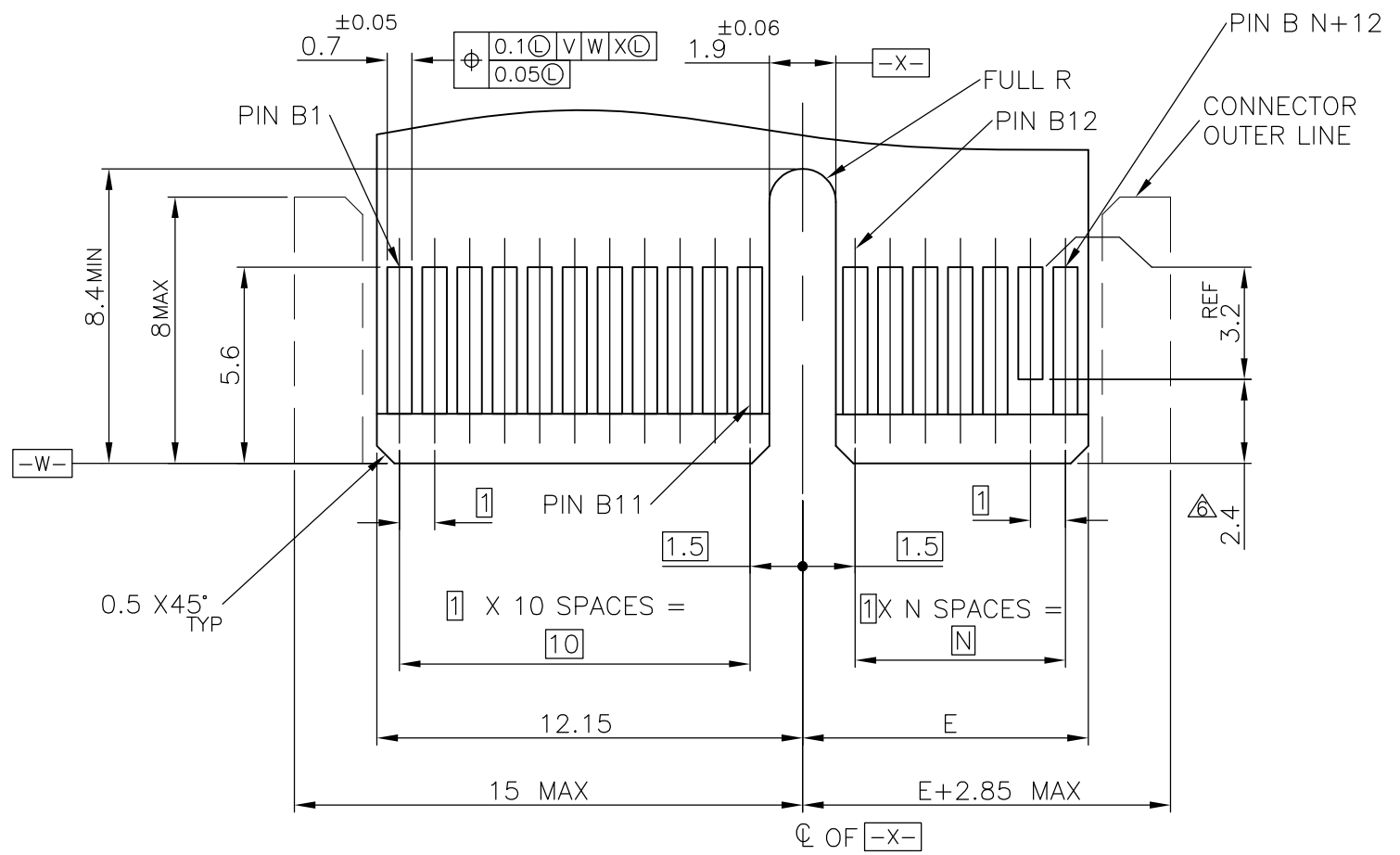
SIZE A3 CAGE CODE 00779 DRAWING NO 番号 C-1871058 RESTRICTED TO

MATERIAL 材料 ① FINISH 仕上 SEE NOTE 2

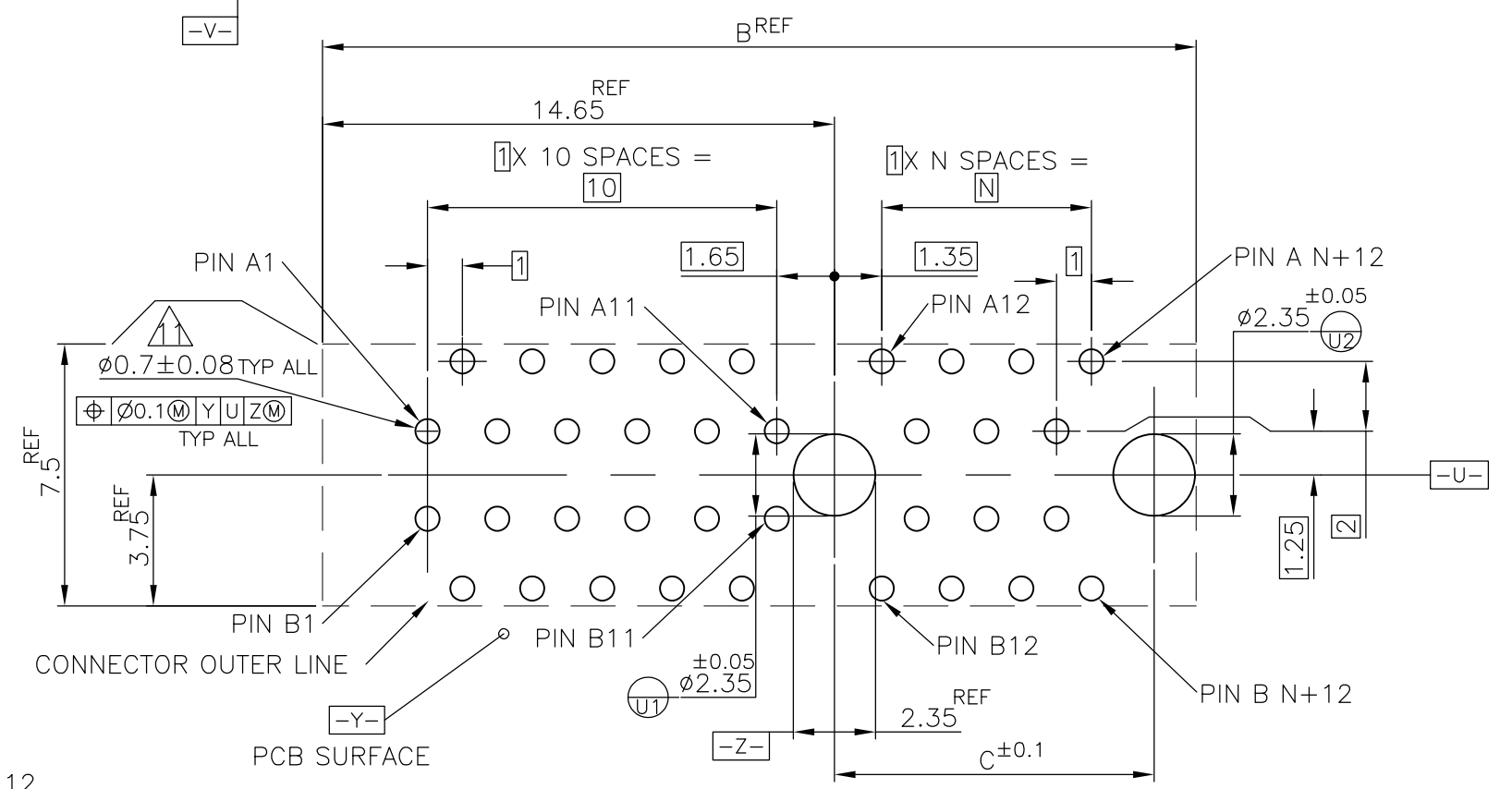
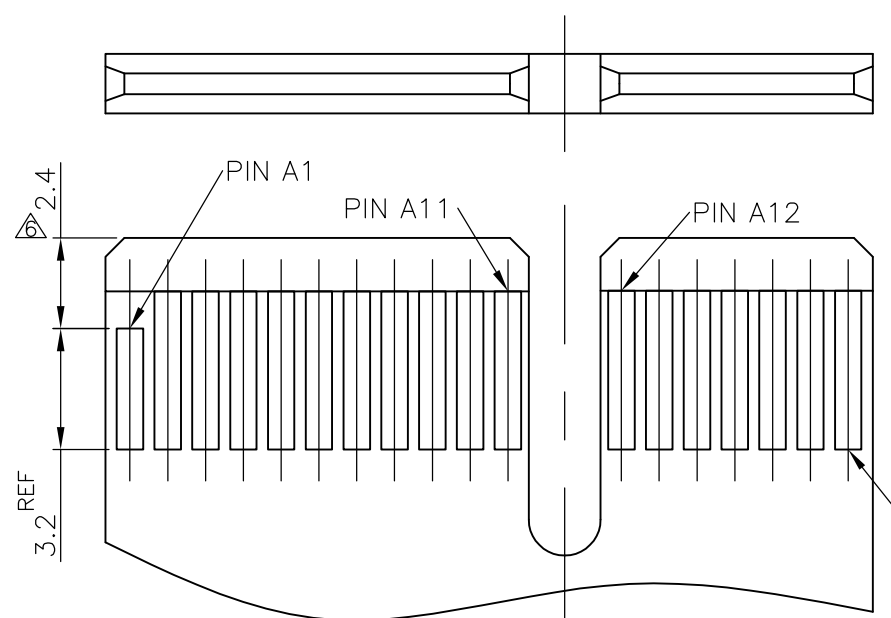
CUSTOMER DRAWING SCALE 尺度 4:1 SHEET 1 OF 2 REV H

THIS DRAWING IS UNPUBLISHED. RELEASED FOR PUBLICATION JUN , 2005.  
 © COPYRIGHT 2005 By - ALL RIGHTS RESERVED.

| LOC | DIST | REVISIONS |     |             | DATE | DWN | APVD |
|-----|------|-----------|-----|-------------|------|-----|------|
| J   | /    | P         | LTR | DESCRIPTION |      |     |      |
|     |      | -         |     | SEE SHEET 1 | -    | -   | -    |



- ⚠ THIS DIMENSION IS ONLY APPLIED TO PRSNT PINS.
- ⚠ CARD THICKNESS APPLIES ACROSS TABS AND INCLUDES PLATING AND/OR METALIZATION.
- ⚠ CHAMFER EDGES MUST BE FREE OF CUTTING BURRS.
- 9 NO TIE BAR PERMITTED FROM CARD EDGE TO LEADING EDGE OF PAD FOR PRSNT PIN.
- 10 APPLICATION NOTE;  
 GOLD CONTACT PAD : ELECTROLESS GOLD PLATING 0.05μm MIN. OVER ELECTROLESS Ni PLATING 2μm MIN.
- ⚠ DRILLED HOLE DIA.: 0.77 TO 0.83  
 COPPER PLATING: 0.025 TO 0.075mm.  
 FINISHED HOLE DIA. AFTER PLATING: 0.62 TO 0.78 DIA.



PCB PATTERN LAYOUT (THICKNESS : 1.6mm MIN)

MODULE LAYOUT(MATING PART ONLY)

NOT SPECIFY BY PCI EXPRESS STANDARD

|                         |        |        |     |     |      |      |  |
|-------------------------|--------|--------|-----|-----|------|------|--|
| A1,B17,B31,B48,B81,B139 | 130.15 | 131.15 | 147 | 128 | 280  |      |  |
| A1,B17,B31,B48,B81,B87  | 78.15  | 79.15  | 95  | 76  | 176  | 16   |  |
| A1,B17,B31,B48,B81      | 72.15  | 73.15  | 89  | 70  | 164  | 16   |  |
| A1,B17,B31,B48          | 39.15  | 40.15  | 56  | 37  | 98   | 8    |  |
| A1,B17,B31              | 22.15  | 23.15  | 39  | 20  | 64   | 4    |  |
| A1,B17                  | 8.15   | 9.15   | 25  | 6   | 36   | 1    |  |
| PRSNT PIN               | E      | C      | B   | N   | POS. | PORT |  |

THIS DRAWING IS A CONTROLLED DOCUMENT.

|                            |  |
|----------------------------|--|
| DIMENSIONS:<br>單位: 耗<br>mm | TOLERANCES UNLESS OTHERWISE SPECIFIED:<br>一般公差 |
|                            | 0-PLC ± ±0.13                                  |
|                            | 1-PLC ± ±1                                     |
|                            | 2-PLC ±  |
|                            | 3-PLC ±  |
|                            | 4-PLC ±  |
|                            | ANGLES ±                                       |
| MATERIAL<br>材料             | FINISH<br>仕上                                   |

|                            |  |
|----------------------------|--|
| DWN                        |  |
| CHK                        |  |
| APVD                       |  |
| PRODUCT SPEC<br>製品規格       |  |
| APPLICATION SPEC<br>取付適用規格 |  |
| WEIGHT                     |  |

|                  |  |                 |           |  |               |
|------------------|--|-----------------|-----------|--|---------------|
| TE Connectivity  |  | NAME<br>名称      |           | PCI EXPRESS CARD EDGE CONN.<br>WITH COMPLIANT PIN V-TYPE |               |
|                  |  | SIZE            | CAGE CODE | DRAWING NO<br>番号   | RESTRICTED TO |
| CUSTOMER DRAWING |  | A3              | 00779     | C-1871058  |               |
| SCALE<br>尺度 8:1  |  | SHEET<br>2 OF 2 |           | REV<br>H   |               |

单击下面可查看定价，库存，交付和生命周期等信息

[>>TE Connectivity\(泰科\)](#)