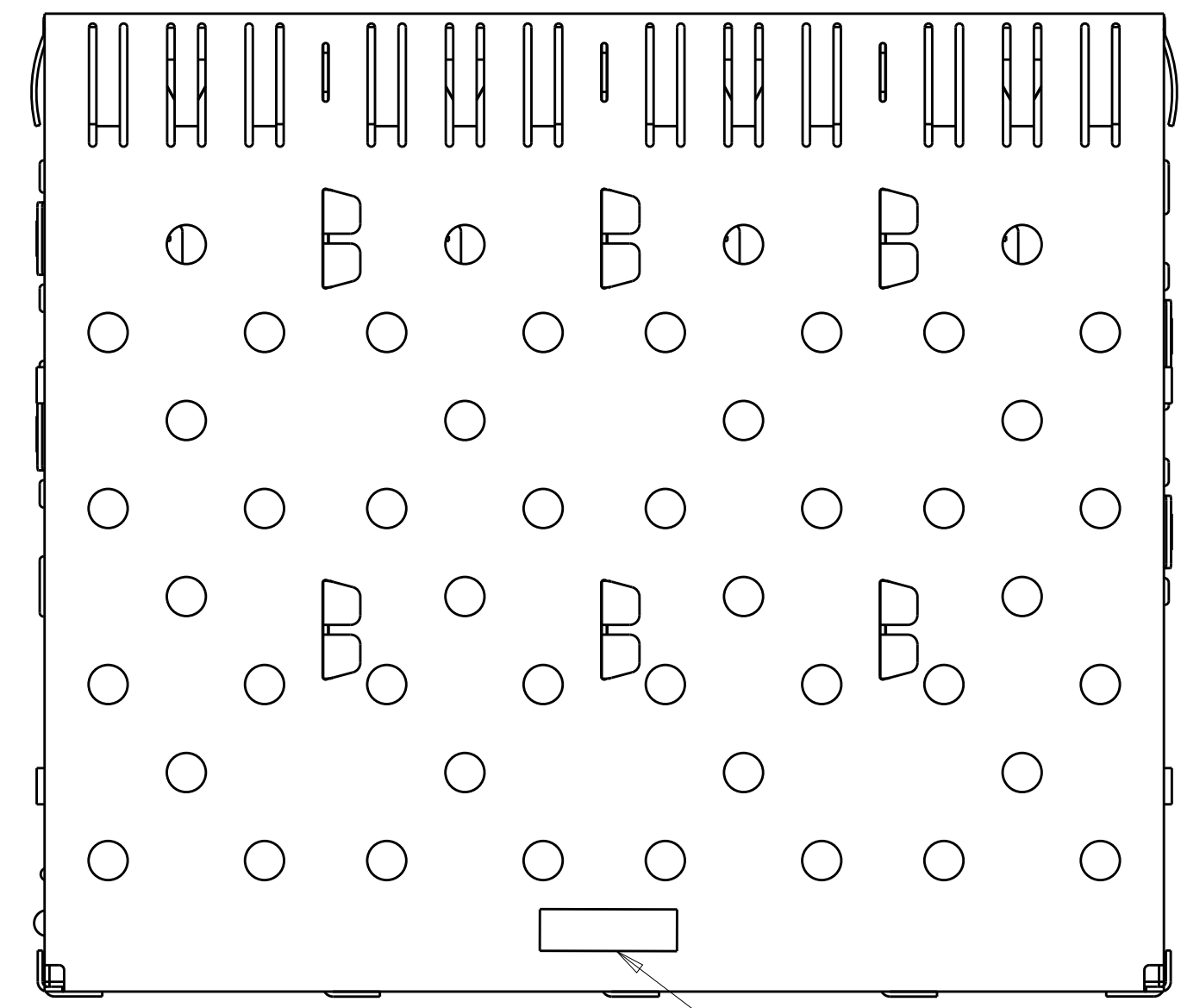
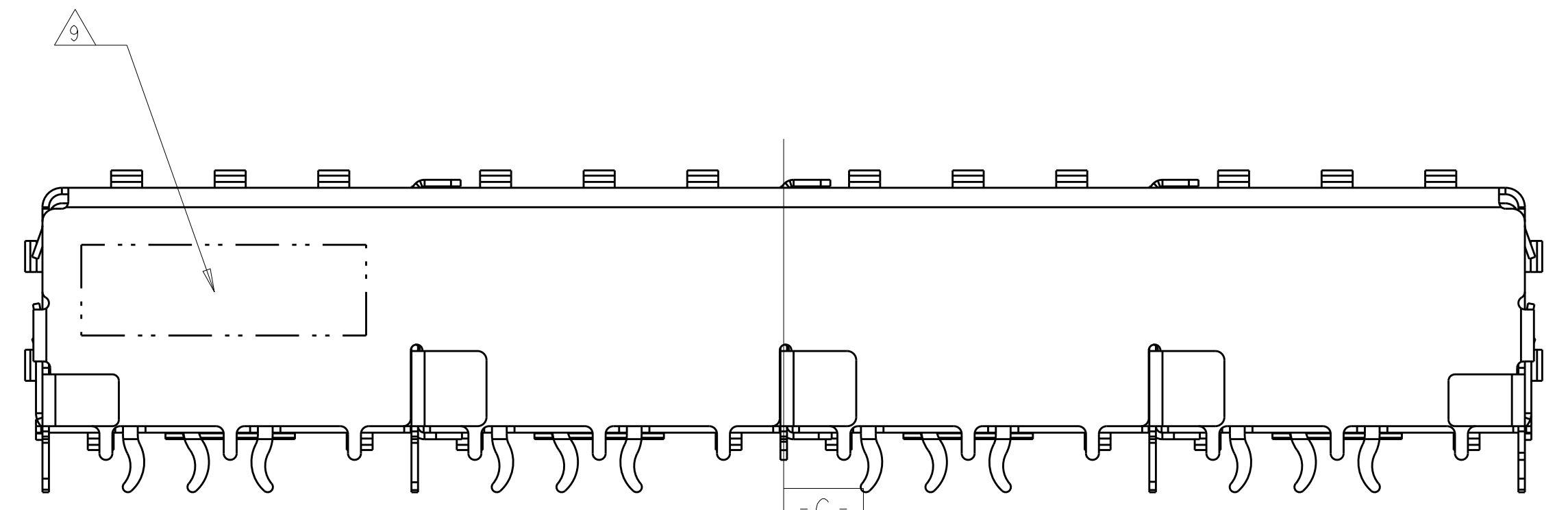
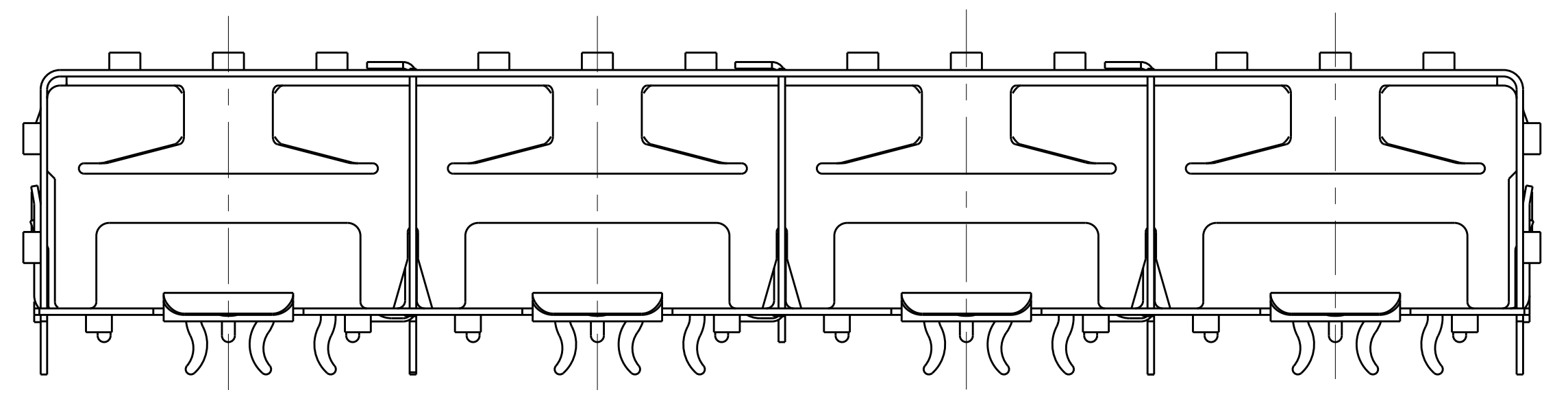
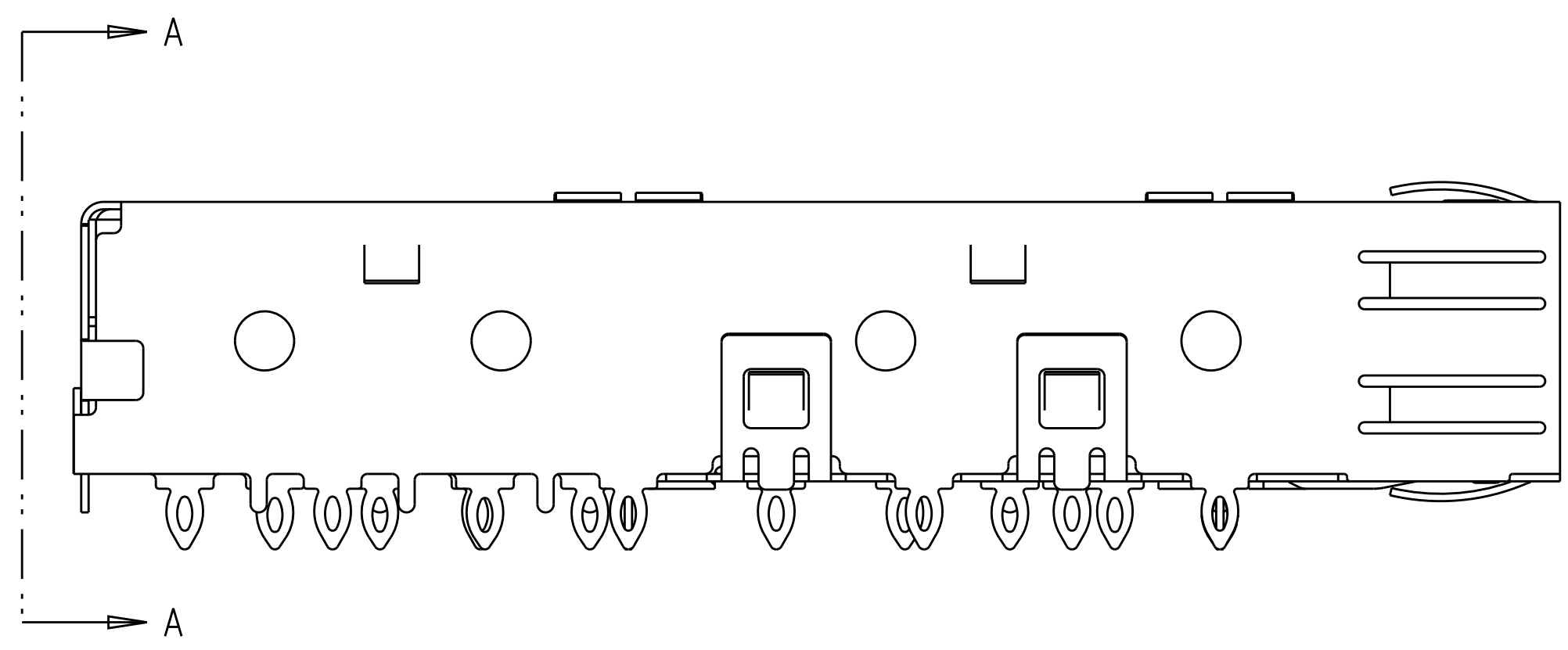


| LOC | DIST | REVISIONS | | | |
|-----|------|---------------------------|-----------|-----|------|
| P | LTN | DESCRIPTION | DATE | DWN | APVD |
| H | | REVISED PER ECO-12-011010 | 13JUN2012 | JY | CW |
| J | | REVISED PER ECO-14-000886 | 20FEB2014 | JW | SH |
| J1 | | REVISED PER ECO-14-010419 | 11JUL2014 | JW | SH |
| K | | REVISED PER ECO-15-013594 | 22SEP2015 | JW | SH |

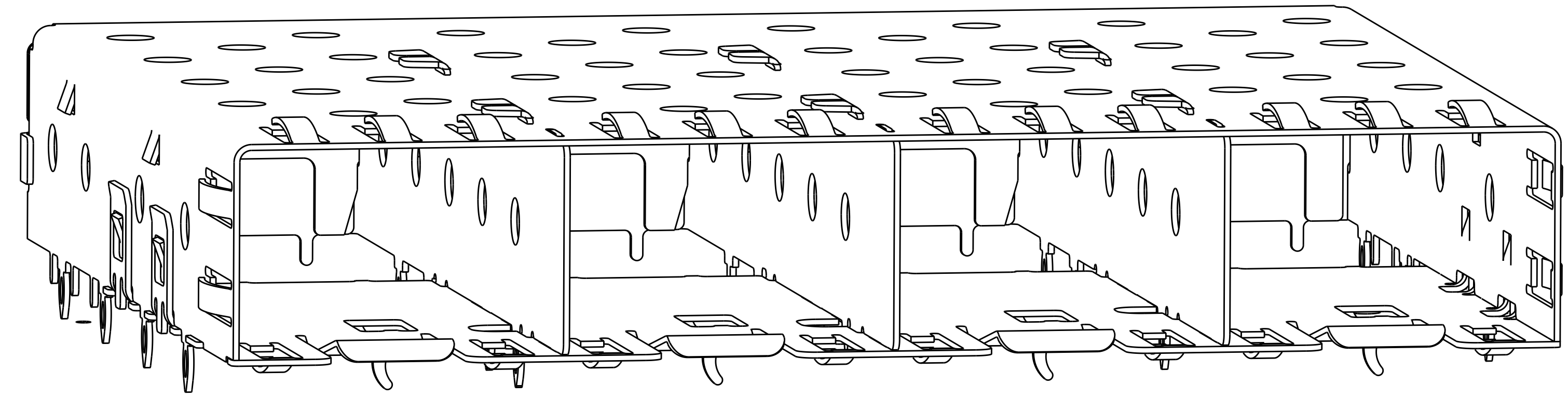


SCALE 3:1 △7

- △1 MATERIAL: 0.25 THICK COPPER ALLOY.
- △2 FINISH: TIN PLATING PER ASTM B 545, 1.25um MINIMUM THICKNESS ALL OVER NICKEL FLASH PER QQ-N-290. NONPLATED EDGES PERMISSIBLE.
- △3 PADS AND VIAS CHASSIS GROUND.
- △4 DATUM AND BASIC DIMENSION ESTABLISHED BY CUSTOMER.
- △5 REFERENCE APPLICATION SPEC 114-13120, HOLE A, FOR RECOMMENDED DRILL HOLE DIAMETER AND PLATING THICKNESSES.
- △6 REFERENCE APPLICATION SPEC 114-13120, HOLE B, FOR RECOMMENDED DRILL HOLE DIAMETER AND PLATING THICKNESSES.
- △7 COMPANY LOGO IN APPROXIMATE AREA SHOWN
- △8 PATTERN REPEATS FOR EACH PORT. SPACING BETWEEN PORTS IS 14.25 mm.
- △9 DATE CODE AND PART NUMBER IN APPROXIMATE AREA SHOWN.
- △10 MATERIAL: 0.25 THICK NICKEL SILVER ALLOY(NO PLATING).



SECTION A-A



1658744-1&-3
 1X4 CAGE ASSEMBLY
 SCALE 6:1

SUPERSEDED BY:
 1658744-3

| | | | |
|--------|----------|----------|-------------|
| NO | △10 | 1X4 | 1658744-3 |
| △2 | △1 | 1X4 | 1658744-1 |
| FINISH | MATERIAL | POSITION | PART NUMBER |

| | | | | | | | | |
|--|------|------------------|-----------------|---------|--|-----------|------------|---------------|
| THIS DRAWING IS A CONTROLLED DOCUMENT. | | DWN | M. SHIRK | 04JUN03 | TE Connectivity CAGE ASSEMBLY, 1X4 PRESS FIT, SFP | | | |
| DIMENSIONS: | | CHK | J. KOPPENHEFFER | 06MAY04 | | | | |
| TOLERANCES UNLESS OTHERWISE SPECIFIED: | | APVD | M. WALMSLEY | 06MAY04 | | | | |
| mm | | NAME | | | | | | |
| 0 PLC | ± | PRODUCT SPEC | 108-1950 | | SIZE | CAGE CODE | DRAWING NO | RESTRICTED TO |
| 1 PLC | ±0.1 | APPLICATION SPEC | 114-13120 | | A1 | 00779 | C=1658744 | |
| 2 PLC | ± | WEIGHT | | | Customer Drawing | SCALE | 5:1 | SHEET |
| 3 PLC | ± | | | | | | | OF |
| 4 PLC | ± | | | | | | | 2 |
| ANGLES | ±7° | | | | | | | REV |
| FINISH | △2 | | | | | | | K |

单击下面可查看定价，库存，交付和生命周期等信息

[>>TE Connectivity\(泰科\)](#)