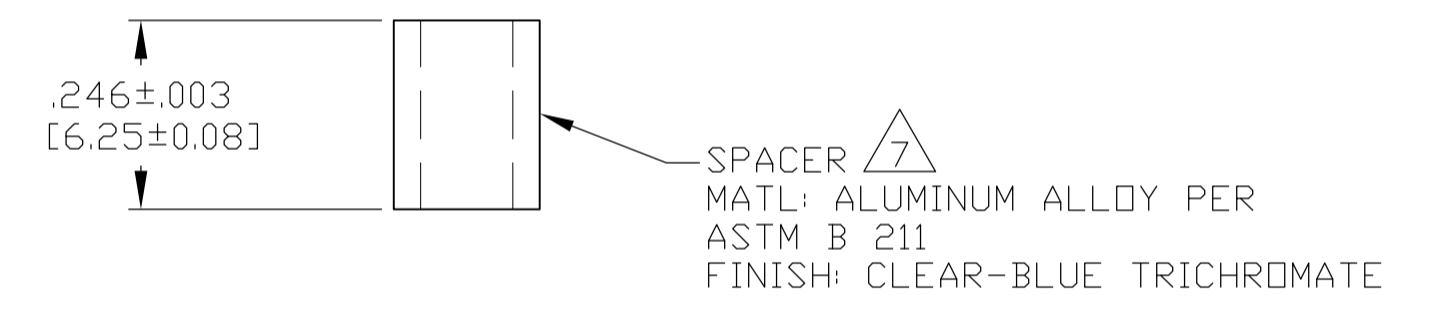
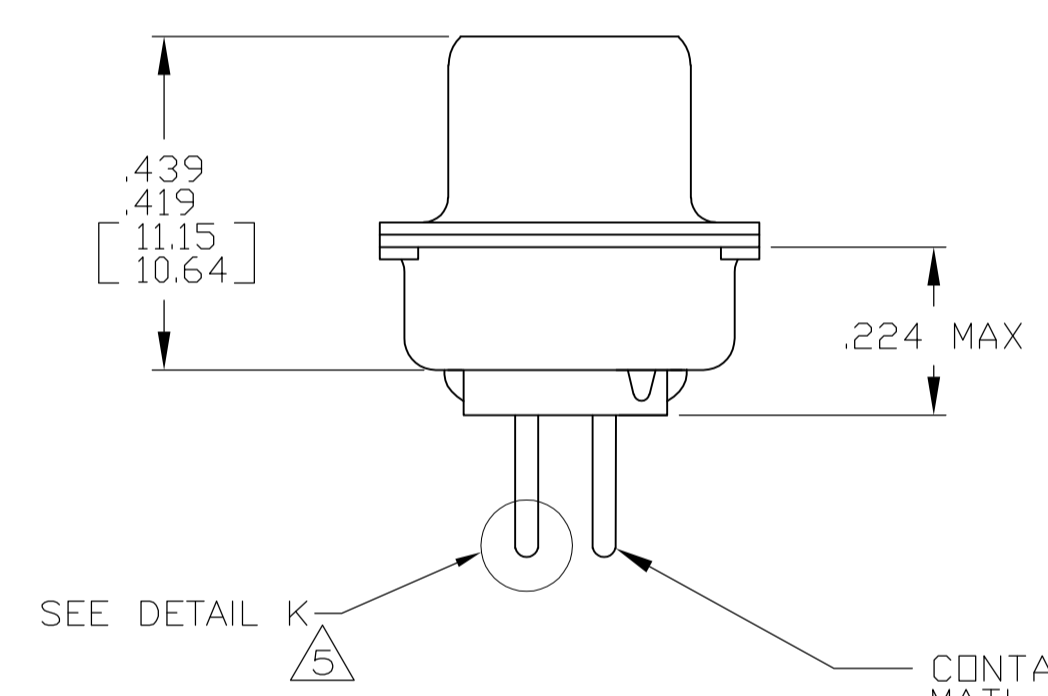
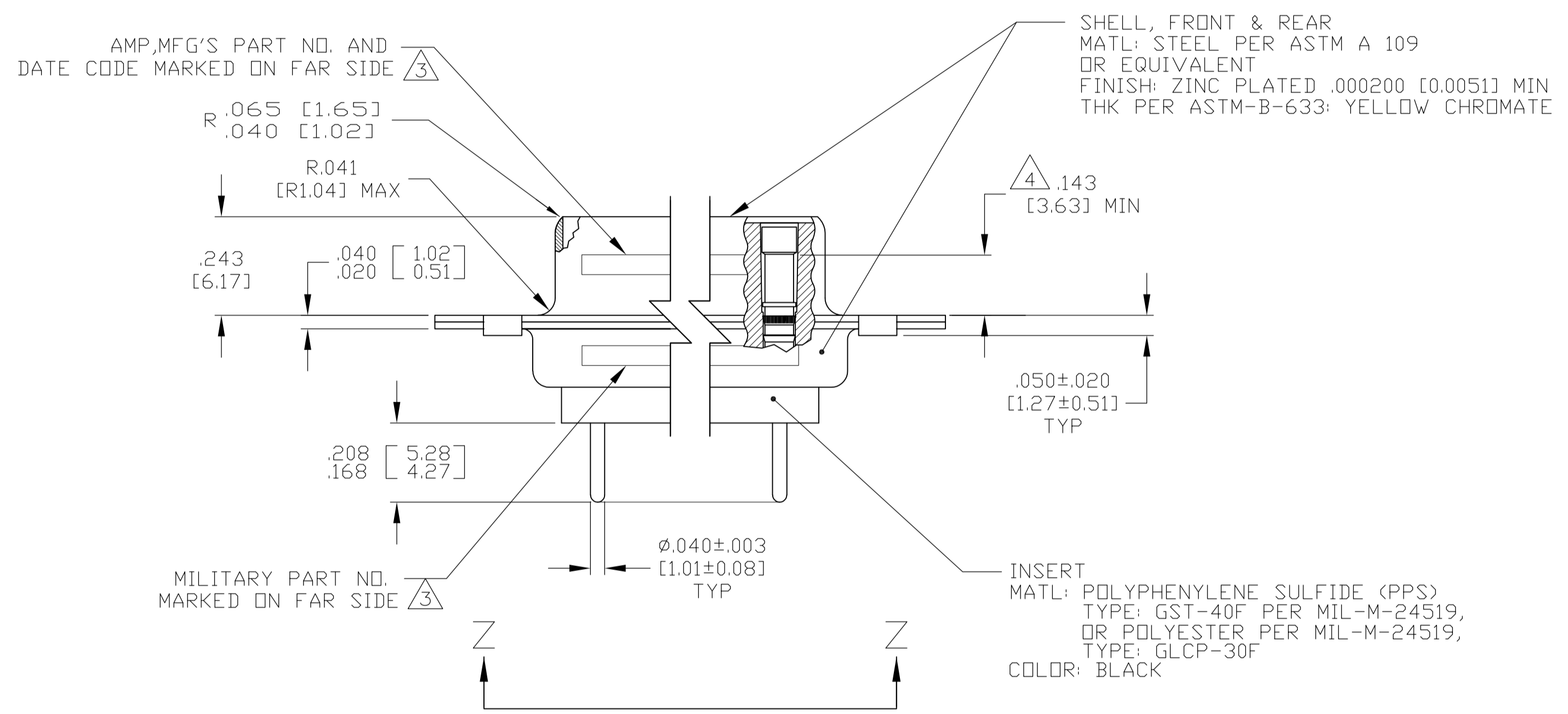
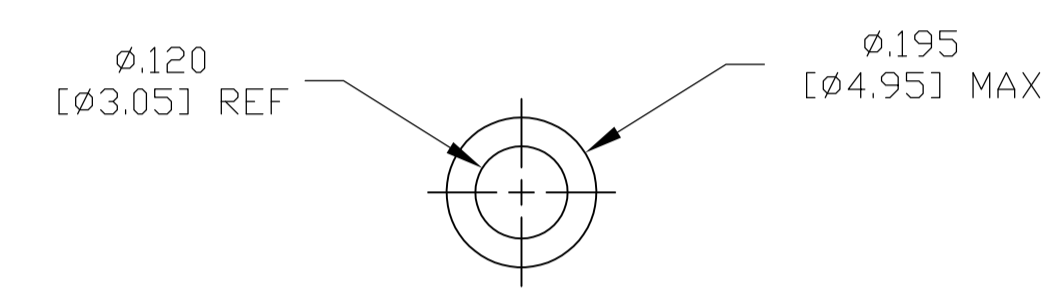
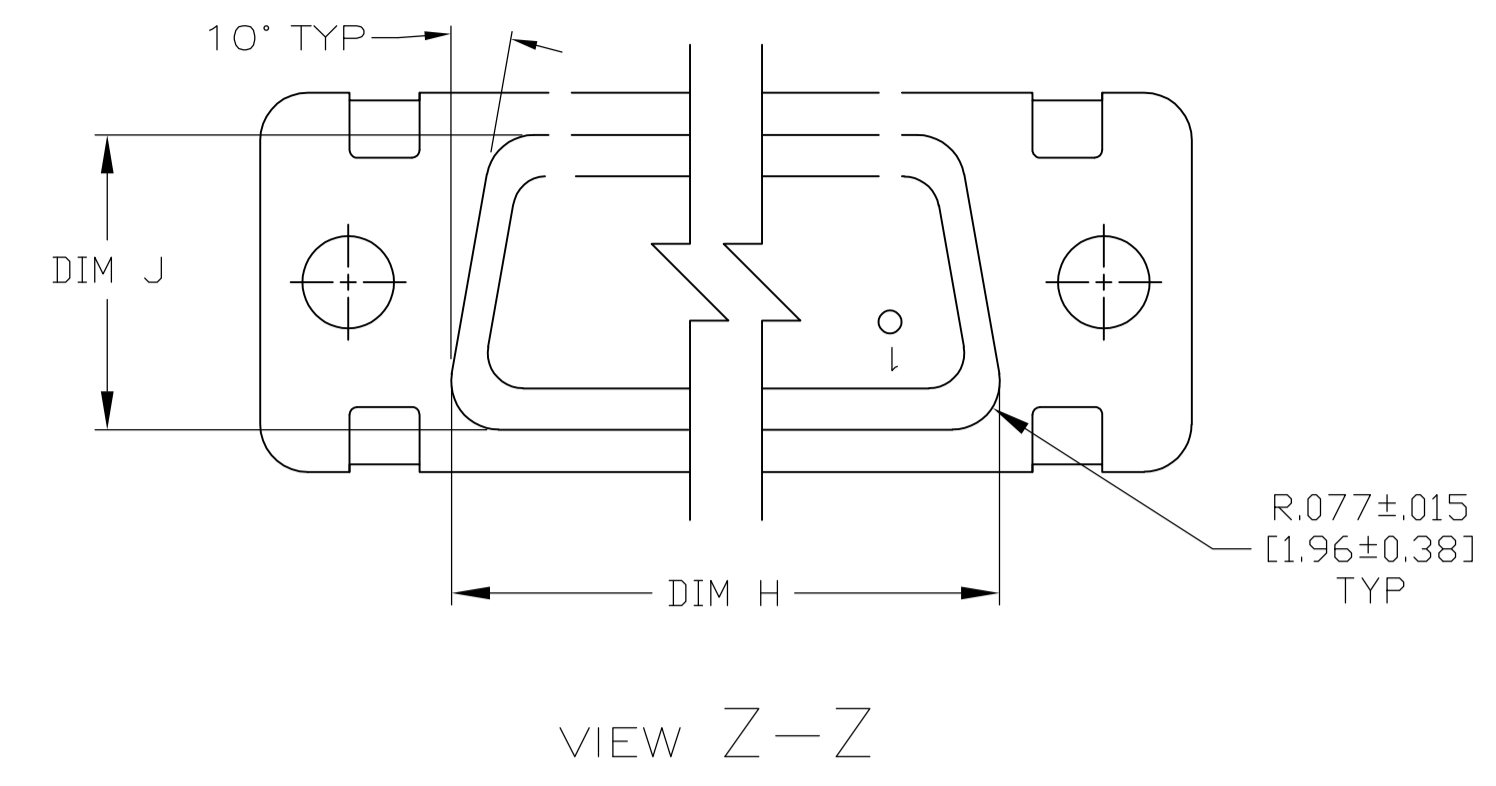
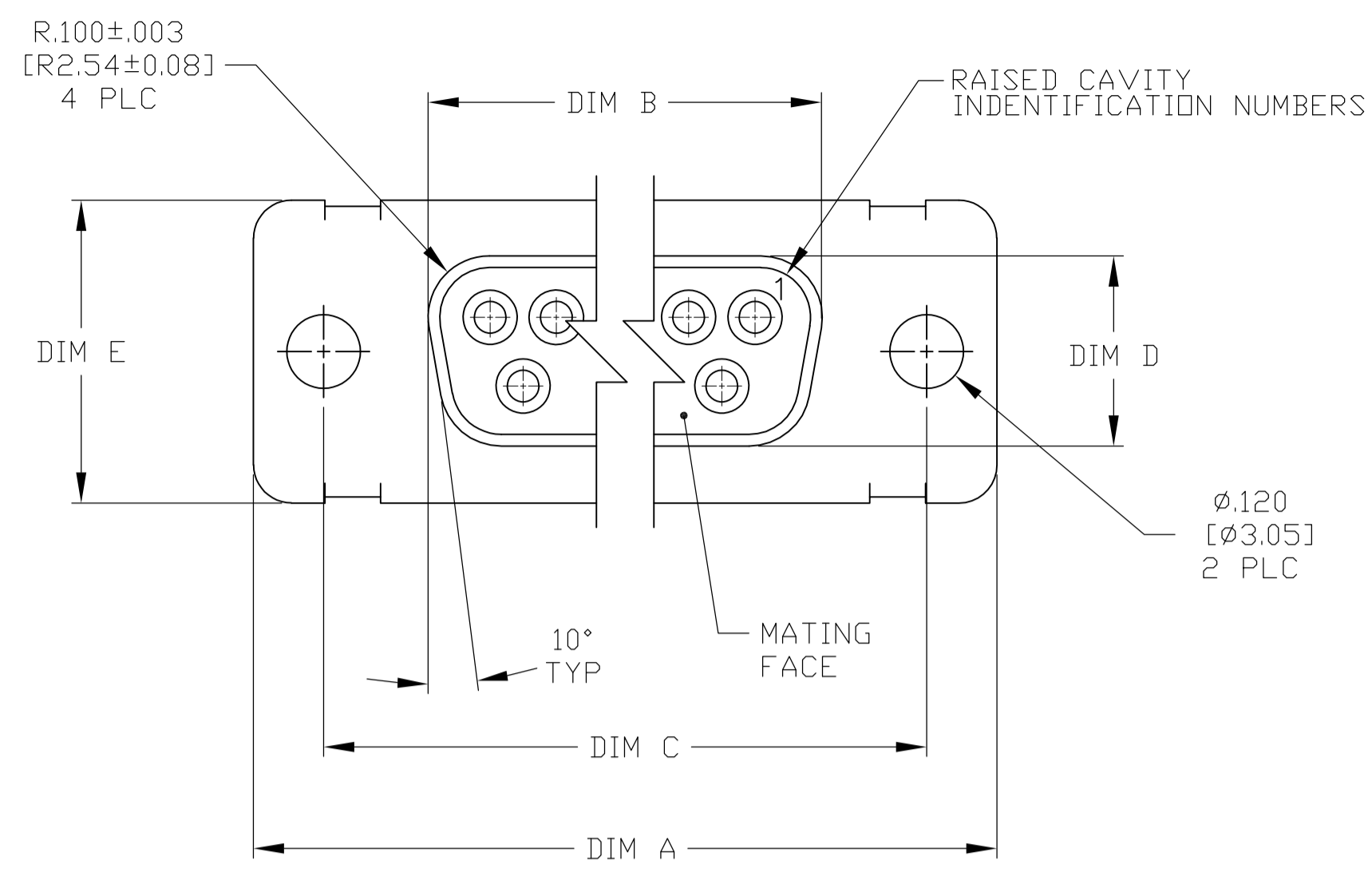
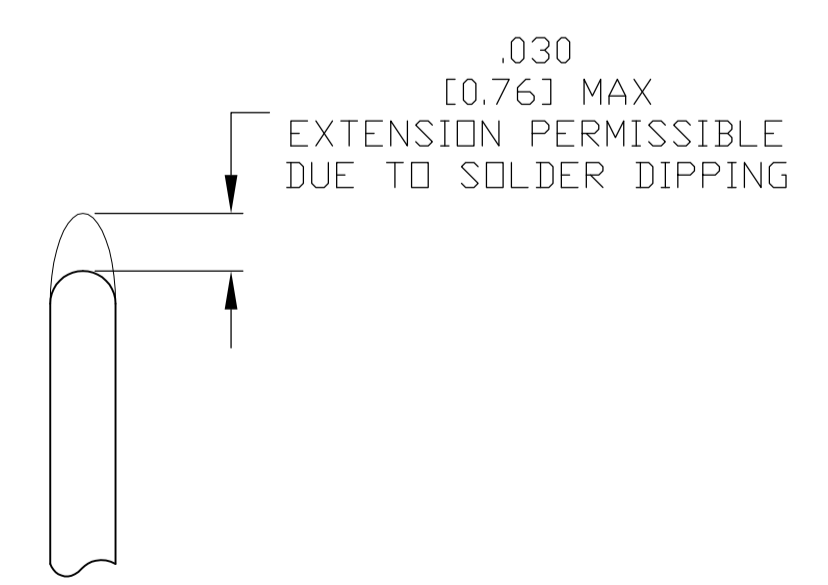


LOC	DIST	REV	DATE	BY	APPV
DF	AO				
C		REVISED PER ECO-13-002055	06FEB2013	MGM	CT



- 1. SEE SHEET 2 FOR RECOMMENDED P.C. BOARD LAYOUT. TRUE POSITION TOLERANCE FOR P.C. BOARD LAYOUT IS .010 [0.25] AT MAX MATERIAL CONDITION. SUGGESTED BOARD THICKNESS IS .062 [1.57]
- 2. THE CONNECTORS DESCRIBED IN THIS DOCUMENT MEET THE REQUIREMENTS OF MIL-C-24308 AND MATE WITH ANY PLUG CONNECTOR WITH SAME INSERT ARRANGEMENT.
- 3. MARKED WITH .047 [1.19]-.062 [1.57] HIGH CHARACTERS. FAR SIDE REFERS TO THE WIDE SIDE OF THE KEYSTONE. NEAR SIDE REFERS TO THE NARROW SIDE OF THE KEYSTONE. IF THE REAR SHELL IS TOO SMALL FOR THE ENTIRE MILITARY PART NUMBER, MARKING SHALL BE LOCATED AS FOLLOWS:
  - A. "M24308" ON FRONT SHELL, FAR SIDE.
  - B. SLASH SHEET AND DASH NUMBER ON REAR SHELL, FAR SIDE.
  - C. "AMP" AND DATE CODE ON FRONT SHELL, NEAR SIDE.
  - D. MFG'S PART NUMBER ON REAR SHELL, NEAR SIDE.
 IF THE FRONT SHELL IS TOO SMALL FOR "AMP", MFG'S PART NUMBER AND DATE CODE, MARKING SHALL BE SPLIT AS FOLLOWS:
  - A. MFG'S PART NUMBER ON REAR SHELL, NEAR SIDE.
  - B. "AMP" AND DATE CODE ON FRONT SHELL, NEAR SIDE.
  - C. MILITARY PART NUMBER ON REAR SHELL, FAR SIDE.
- 4. POINT OF ELECTRICAL ENGAGEMENT - AS MEASURED WITH A .0390-.0393 (0.991-0.998) DIA SQUARE ENDED PIN.
- 5. SOLDER DIPPED PER J-STD-001 WITH Sn63 SOLDER PER J-STD-006 IN THE ENTIRE AREA OF DIMENSION SHOWN. (1757834-6 THRU -10 ONLY.)
- 6. MEETS SOLDERABILITY PER MIL-STD-202 METHOD 208.
- 7. SPACERS (QTY = 2) ARE SUPPLIED WITH CONNECTOR; NOT ATTACHED.



DETAIL K SCALE 10:1 FOR 1757834-6 THRU -10 ONLY

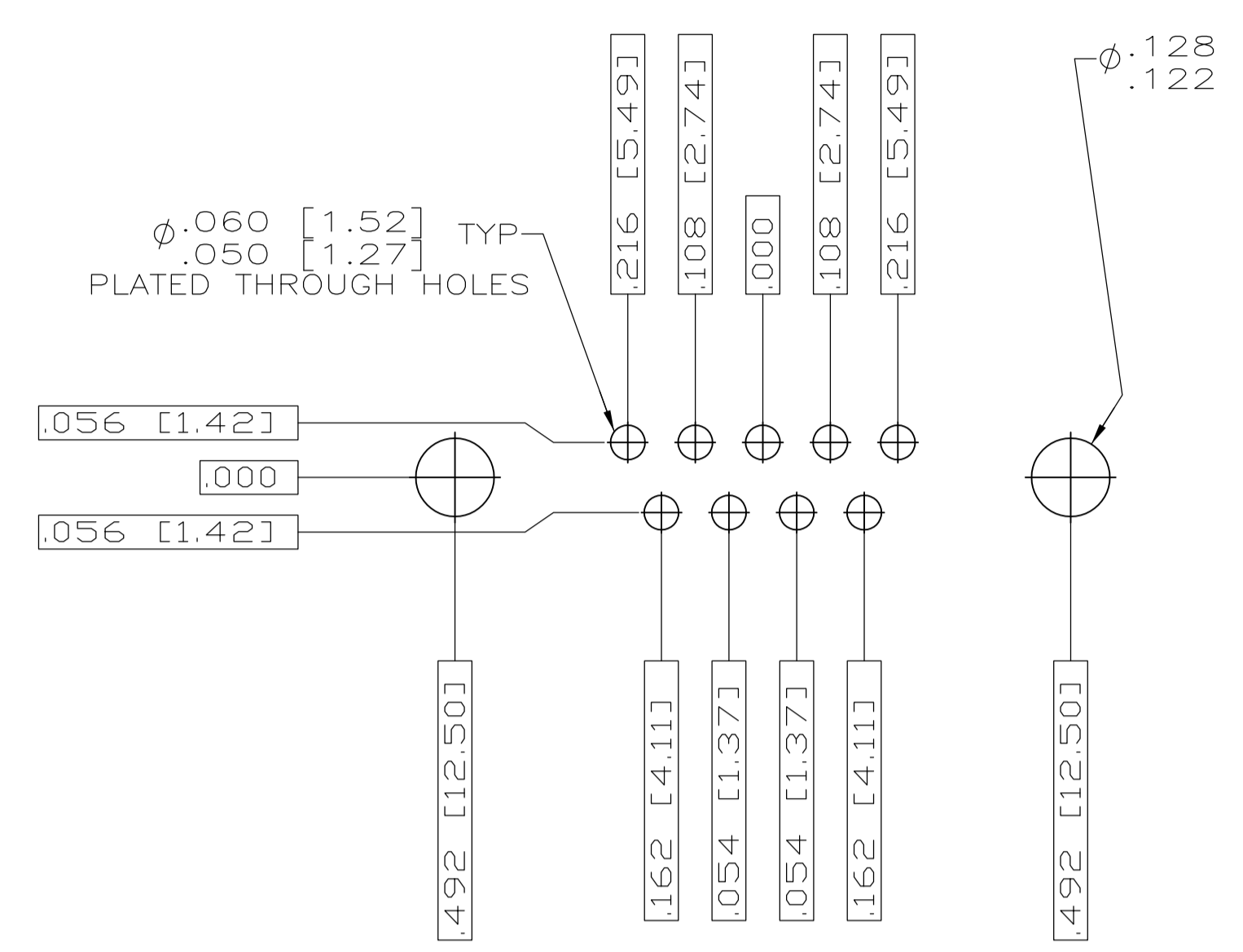
.544 [13.82]	2.188 [55.58]	.620 [15.75]	.428 [10.87]	2.411 [61.24]	2.069 [52.55]	2.650 [67.31]
.524 [13.31]	2.168 [55.07]	.590 [14.99]	.418 [10.62]	2.401 [60.99]	2.059 [52.30]	2.620 [66.55]
.432 [10.97]	2.282 [57.96]	.509 [12.93]	.316 [8.03]	2.505 [63.63]	2.164 [54.97]	2.744 [69.70]
.412 [10.46]	2.262 [57.45]	.479 [12.17]	.306 [7.77]	2.495 [63.37]	2.154 [54.71]	2.714 [68.94]
.432 [10.97]	1.635 [41.53]	.509 [12.93]	.316 [8.03]	1.857 [47.17]	1.516 [38.51]	2.103 [53.42]
.412 [10.46]	1.615 [41.02]	.479 [12.17]	.306 [7.77]	1.847 [46.91]	1.506 [38.25]	2.073 [52.65]
.432 [10.97]	1.093 [27.76]	.509 [12.93]	.316 [8.03]	1.317 [33.45]	.976 [24.79]	1.556 [39.52]
.412 [10.46]	1.073 [27.25]	.479 [12.17]	.306 [7.77]	1.307 [33.20]	.966 [24.54]	1.526 [38.76]
.432 [10.97]	.769 [19.53]	.509 [12.93]	.316 [8.03]	.989 [25.12]	.648 [16.46]	1.228 [31.19]
.412 [10.46]	.749 [19.02]	.479 [12.17]	.306 [7.77]	.979 [24.87]	.638 [16.21]	1.198 [30.43]
.544 [13.82]	2.188 [55.58]	.620 [15.75]	.428 [10.87]	2.411 [61.24]	2.069 [52.55]	2.650 [67.31]
.524 [13.31]	2.168 [55.07]	.590 [14.99]	.418 [10.62]	2.401 [60.99]	2.059 [52.30]	2.620 [66.55]
.432 [10.97]	2.282 [57.96]	.509 [12.93]	.316 [8.03]	2.505 [63.63]	2.164 [54.97]	2.744 [69.70]
.412 [10.46]	2.262 [57.45]	.479 [12.17]	.306 [7.77]	2.495 [63.37]	2.154 [54.71]	2.714 [68.94]
.432 [10.97]	1.635 [41.53]	.509 [12.93]	.316 [8.03]	1.857 [47.17]	1.516 [38.51]	2.103 [53.42]
.412 [10.46]	1.615 [41.02]	.479 [12.17]	.306 [7.77]	1.847 [46.91]	1.506 [38.25]	2.073 [52.65]
.432 [10.97]	1.093 [27.76]	.509 [12.93]	.316 [8.03]	1.317 [33.45]	.976 [24.79]	1.556 [39.52]
.412 [10.46]	1.073 [27.25]	.479 [12.17]	.306 [7.77]	1.307 [33.20]	.966 [24.54]	1.526 [38.76]
.432 [10.97]	.769 [19.53]	.509 [12.93]	.316 [8.03]	.989 [25.12]	.648 [16.46]	1.228 [31.19]
.412 [10.46]	.749 [19.02]	.479 [12.17]	.306 [7.77]	.979 [24.87]	.638 [16.21]	1.198 [30.43]

DIM J	DIM H	DIM E	DIM D	DIM C	DIM B	DIM A	INSERT ARRANGEMENT	NO OF POS	SHELL SIZE	MILITARY P/N ON CONNECTOR	MFG'S P/N MARKED ON CONNECTOR	PART NO.
50	50	50	50	50	50	50	50	50	50	M24308/23-23Z	1757834-5	1-1757834-0
37	37	37	37	37	37	37	37	37	37	M24308/23-22Z	1757834-4	1757834-9
25	25	25	25	25	25	25	25	25	25	M24308/23-21Z	1757834-3	1757834-8
15	15	15	15	15	15	15	15	15	15	M24308/23-20Z	1757834-2	1757834-7
9	9	9	9	9	9	9	9	9	9	M24308/23-19Z	1757834-1	1757834-6
50	50	50	50	50	50	50	50	50	50	M24308/23-23Z	1757834-5	1757834-5
37	37	37	37	37	37	37	37	37	37	M24308/23-22Z	1757834-4	1757834-4
25	25	25	25	25	25	25	25	25	25	M24308/23-21Z	1757834-3	1757834-3
15	15	15	15	15	15	15	15	15	15	M24308/23-20Z	1757834-2	1757834-2
9	9	9	9	9	9	9	9	9	9	M24308/23-19Z	1757834-1	1757834-1

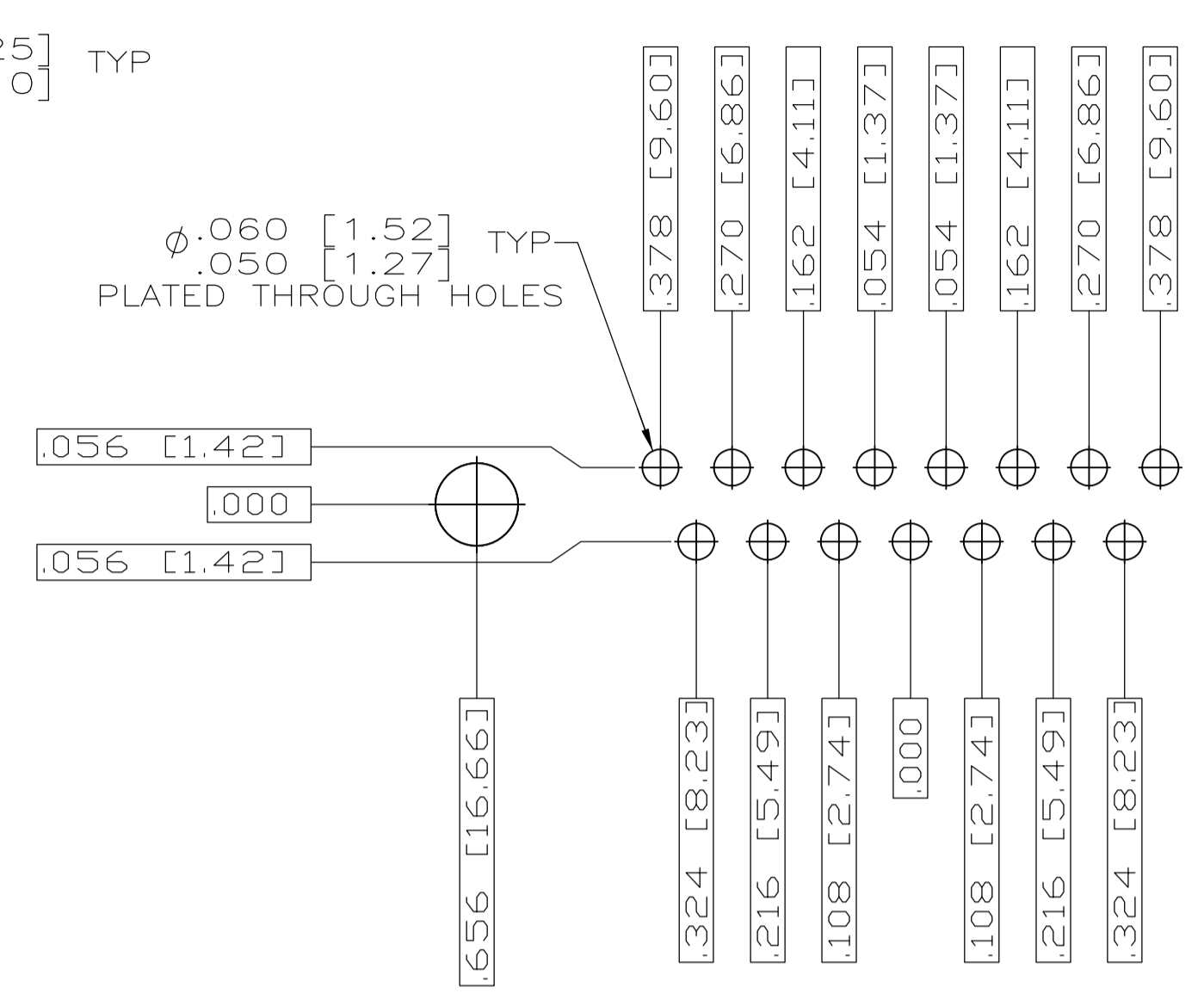
THIS DRAWING IS A CONTROLLED DOCUMENT.

DIMENSIONS: INCHES	TOLERANCES UNLESS OTHERWISE SPECIFIED:	DIN C.C. THOMAS 3-22-06	TE Connectivity
0 PLC ± -	1 PLC ± -	3-27-06	RECEPTACLE ASSEMBLY, AMPLIMITE, POSTED SERIES 109, SIZE 1 THRU 5
2 PLC ± -	3 PLC ± -	3-27-06	PRODUCT SPEC
4 PLC ± -	ANGLES ± ± 1°	NAME	SIZE CASE CODE DRAWING NO RESTRICTED TO
MATERIAL SEE CALLOUTS	FINISH SEE CALLOUTS	WEIGHT	A1 00779 1757834
CUSTOMER DRAWING		SCALE 4:1	SHEET 1 OF 2 REV C

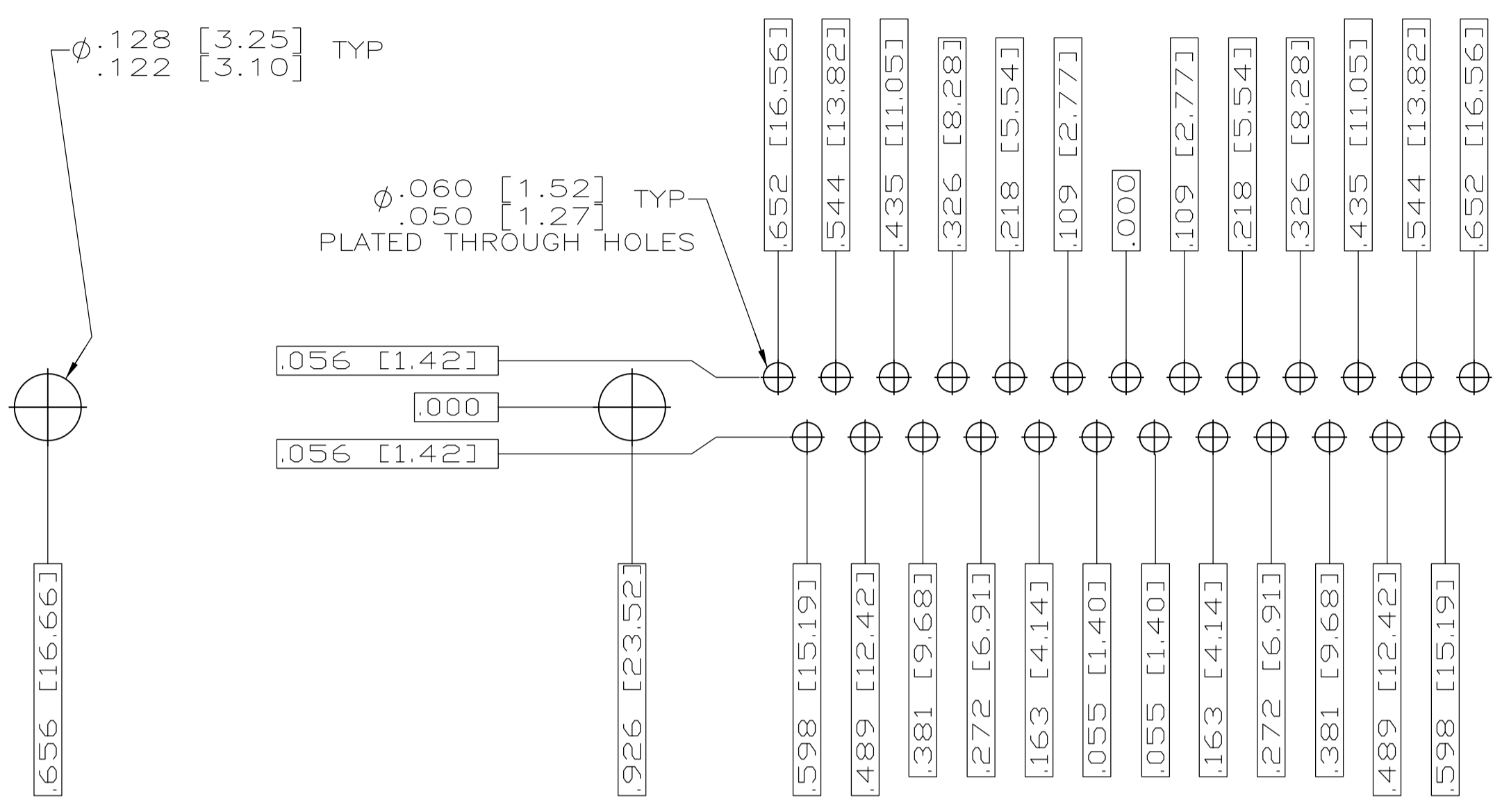
LOC		DIST		REVISIONS				
DF	DO	P	LTR	DESCRIPTION	DATE	DN	APVO	
-	-	-	-	SEE SHEET 1	-	-	-	



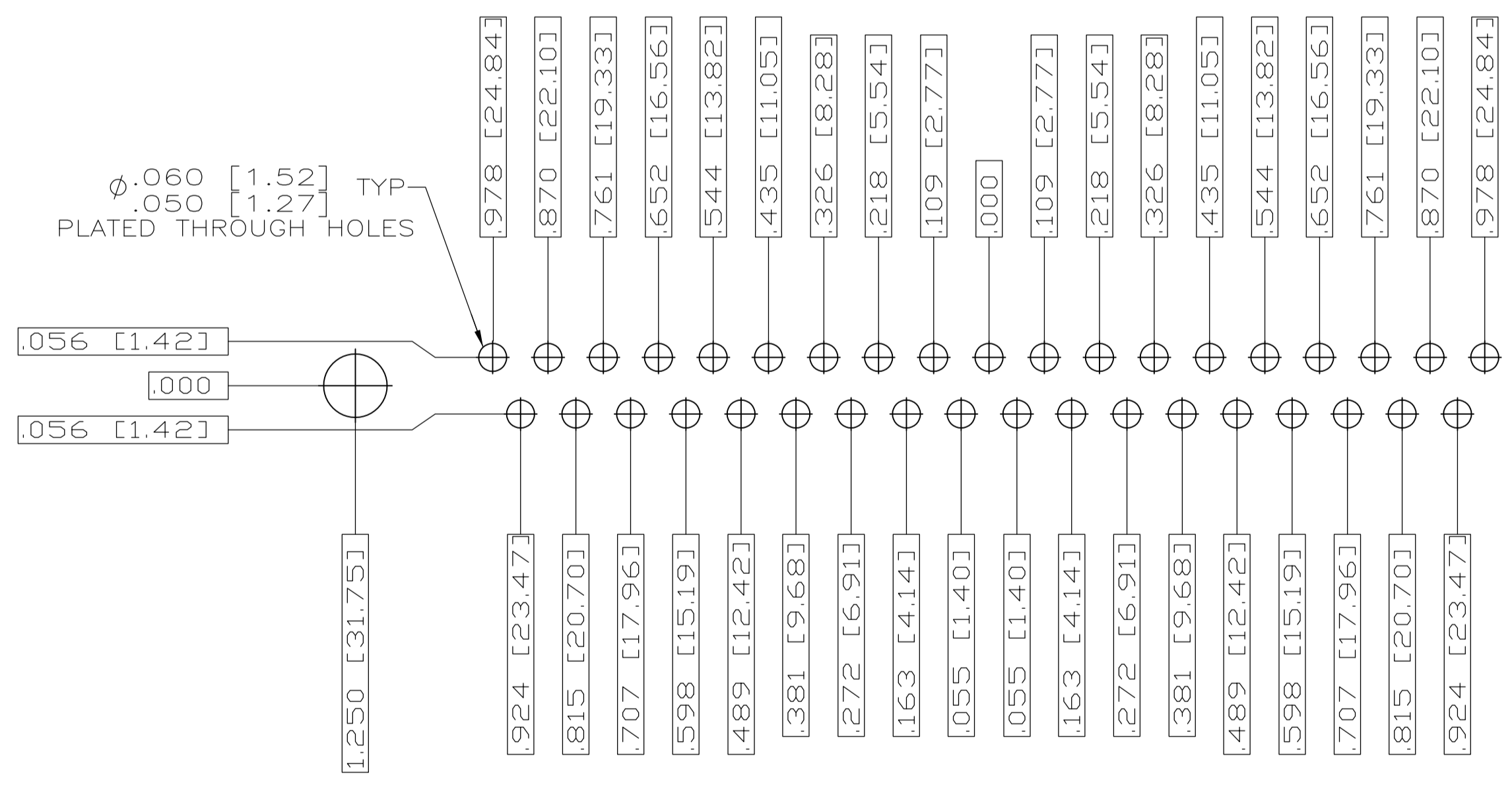
RECOMMENDED P.C. BOARD LAYOUT  
 SHELL SIZE 1 (9 POSITION) ⚠



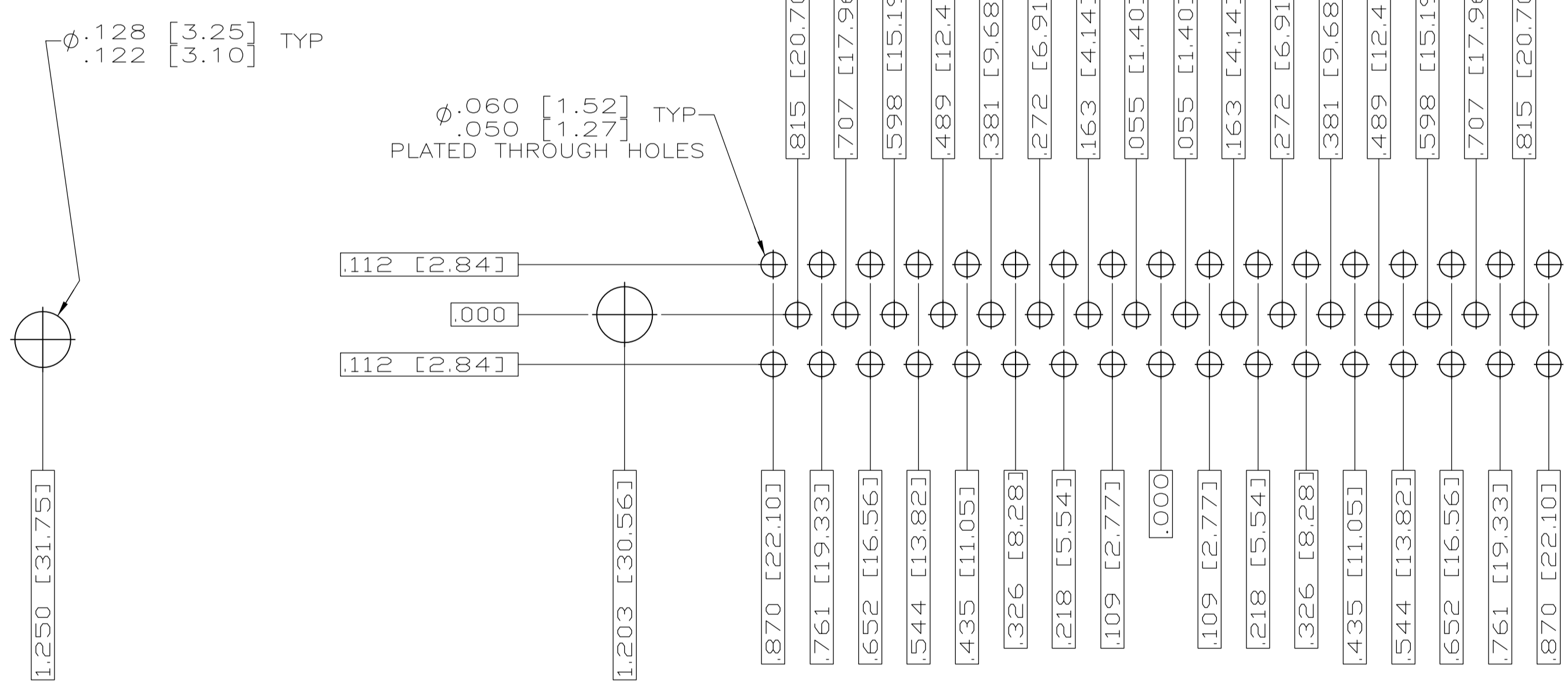
RECOMMENDED P.C. BOARD LAYOUT  
 SHELL SIZE 2 (15 POSITION) ⚠



RECOMMENDED P.C. BOARD LAYOUT  
 SHELL SIZE 3 (25 POSITION) ⚠



RECOMMENDED P.C. BOARD LAYOUT  
 SHELL SIZE 4 (37 POSITION) ⚠



RECOMMENDED P.C. BOARD LAYOUT  
 SHELL SIZE 5 (50 POSITION) ⚠

THIS DRAWING IS A CONTROLLED DOCUMENT.		DN C.C.THOMAS 3-22-06	TE Connectivity RECEPTACLE ASSEMBLY,AMPLIMITE POSTED,SERIES 109,SIZE 1 THRU 5	
DIMENSIONS: INCHES		CHK D.HOFFMAN 3-27-06		
TOLERANCES UNLESS OTHERWISE SPECIFIED:		NAME D.MILLER 3-27-06	SIZE A1	CAGE CODE 00779
0 PLC ± .010 1 PLC ± .008 2 PLC ± .006 3 PLC ± .005 4 PLC ± .004 ANGLES ± 1°		APPLICATION SPEC	DRAWING NO 1757834	RESTRICTED TO
MATERIAL SEE CALLOUTS		FINISH SEE CALLOUTS	WEIGHT	SCALE 4:1
		CUSTOMER DRAWING	SHEET 2 OF 2	REV C

单击下面可查看定价，库存，交付和生命周期等信息

[>>TE Connectivity\(泰科\)](#)