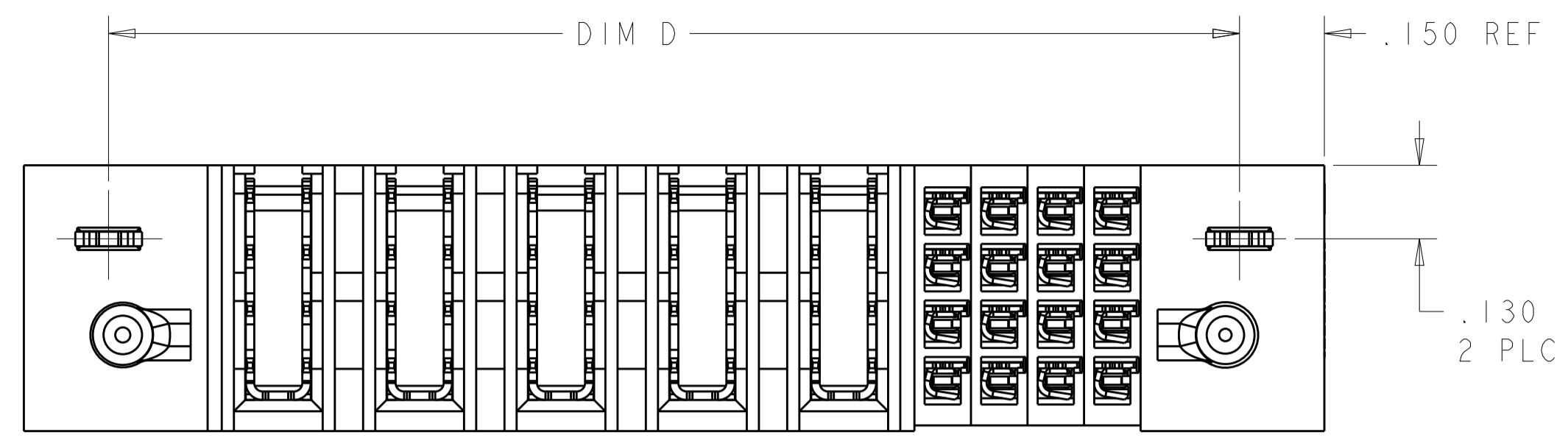
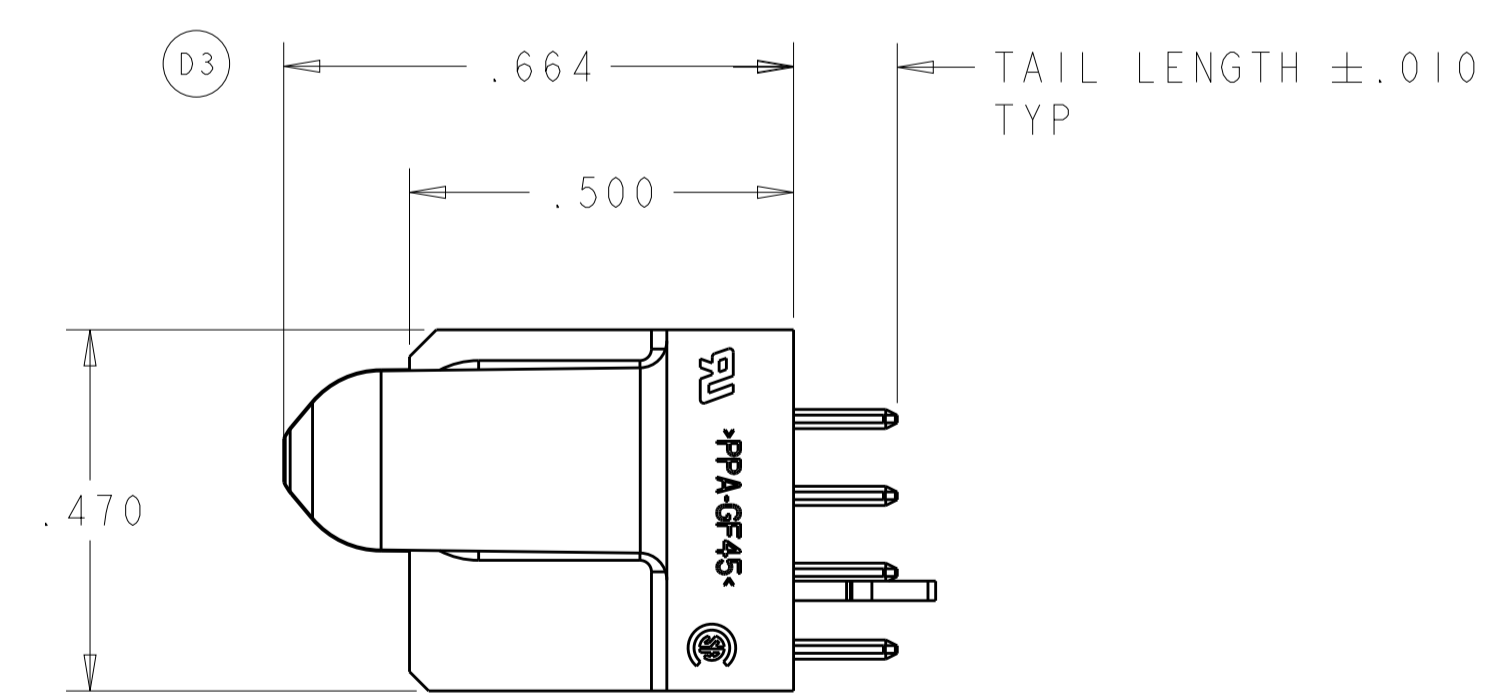
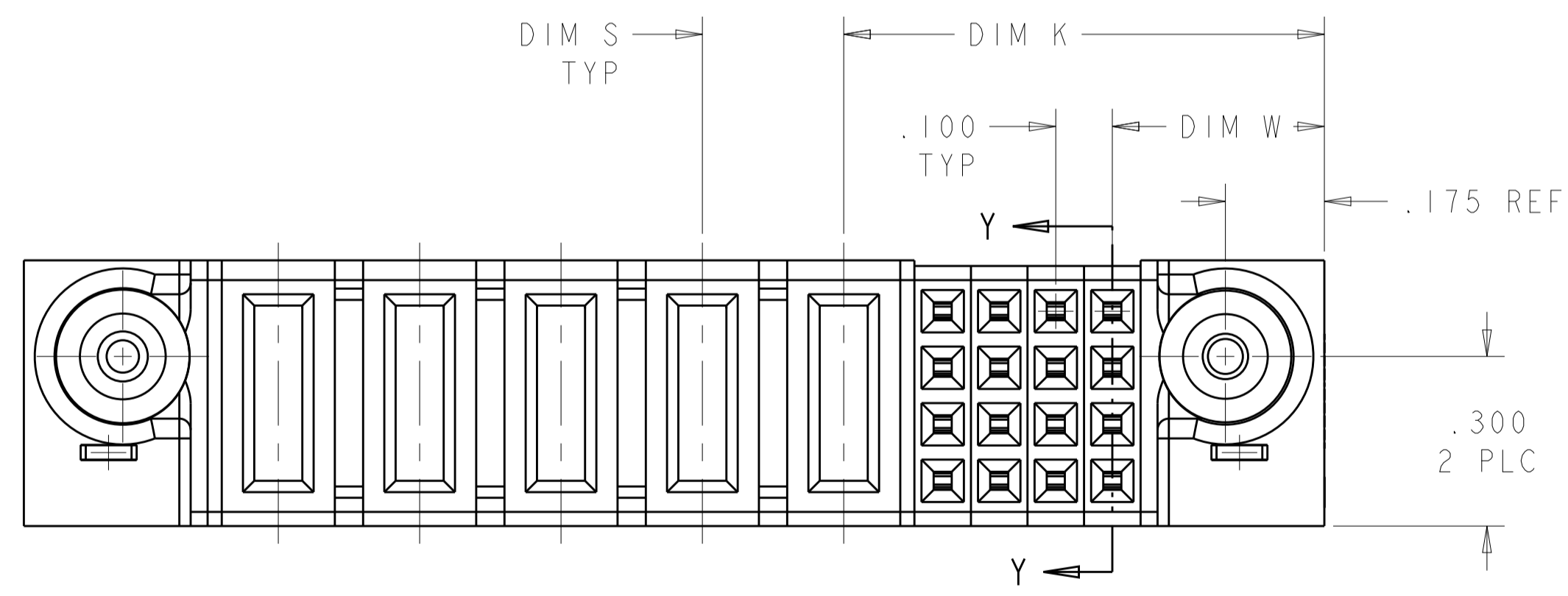
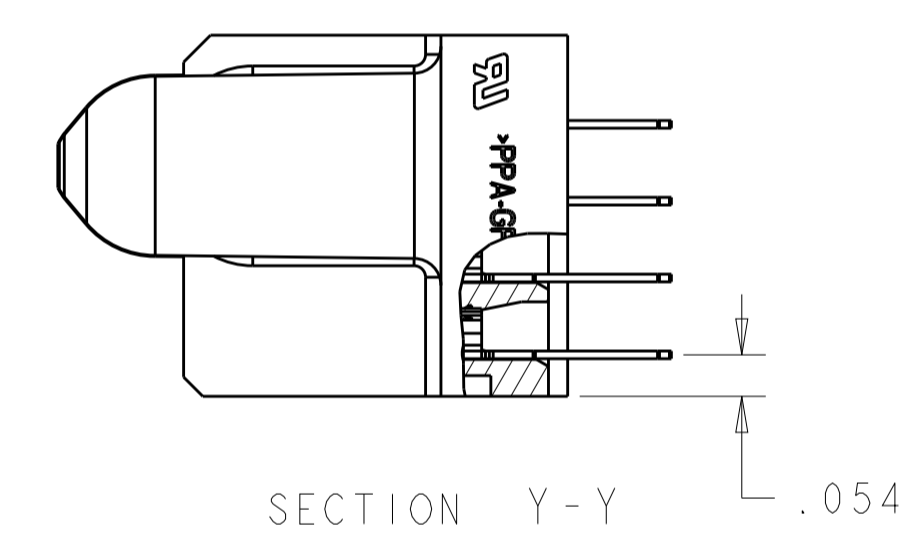
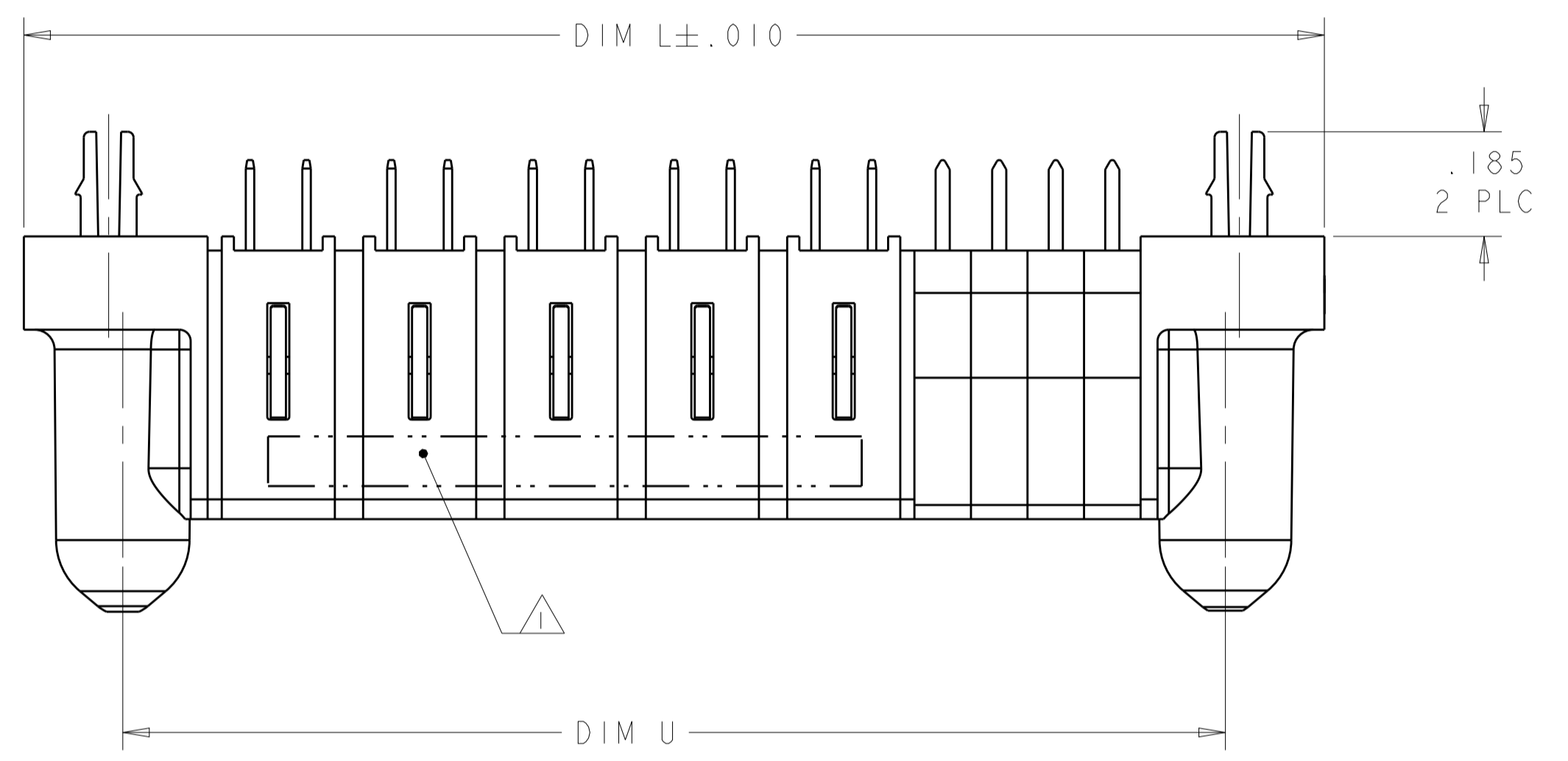


LOC		DIST		REVISIONS			
P	LTN	DESCRIPTION	DATE	DWN	APVD		
D2		MODIFY THE DRAWING ERROR	02MAR2011	ML	SZ		
D3		REV PER ECR-11-006021	23MAR2011	ML	SZ		



- ⚠ "AMP", PART NUMBER, AND DATE CODE TO BE MARKED IN AREA SHOWN
- ⚠ MATERIAL: HOUSING - GLASS FILLED HIGH TEMP THERMO PLASTIC, UL94 V-O, BLACK  
 SIGNAL CONTACT -HIGH CONDUCTIVITY COPPER ALLOY  
 POWER CONTACT -HIGH CONDUCTIVITY COPPER ALLOY
- ⚠ CONTACT PLATING: NOBLE METAL PLATING ON CONTACT FUNCTIONAL AREA OF POWER AND SIGNAL CONTACTS
- ⚠ MECHANICAL CONNECTOR KEEP OUT ZONE
- ⚠ DATUM AND BASIC DIMENSIONS ESTABLISHED BY CUSTOMER
- ⚠ PCB - ALL HOLE DIAMETERS ARE FINISHED HOLE SIZES
- ⚠ PCB - .0453±.0010 DRILLED HOLES PLATED WITH .0003 MIN Sn OVER .001 TO .003 CU PLATING TO ACHIEVE A .040±.003 DIA HOLE
- ⚠ NOT RELEASED FOR PRODUCTION.



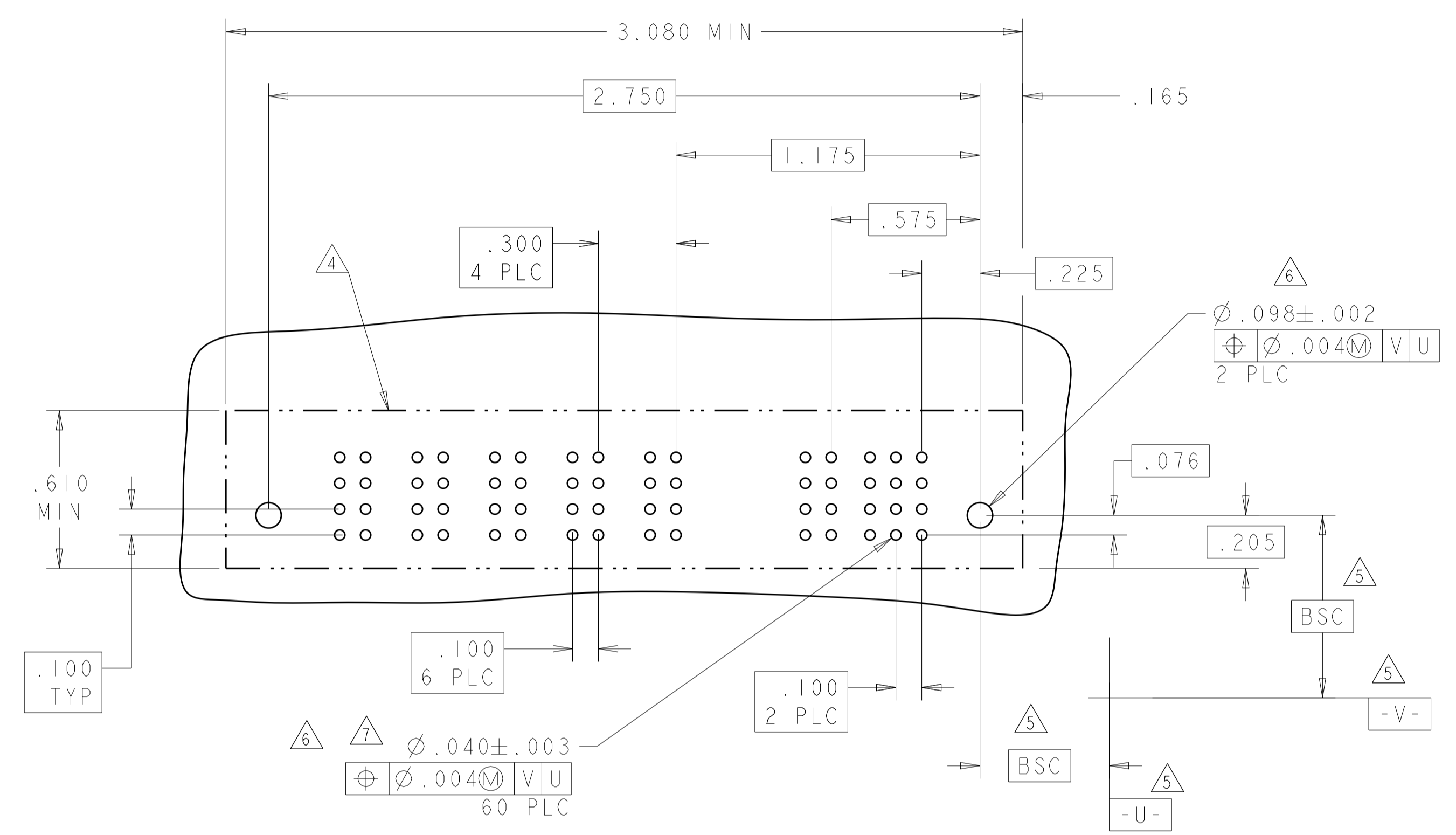
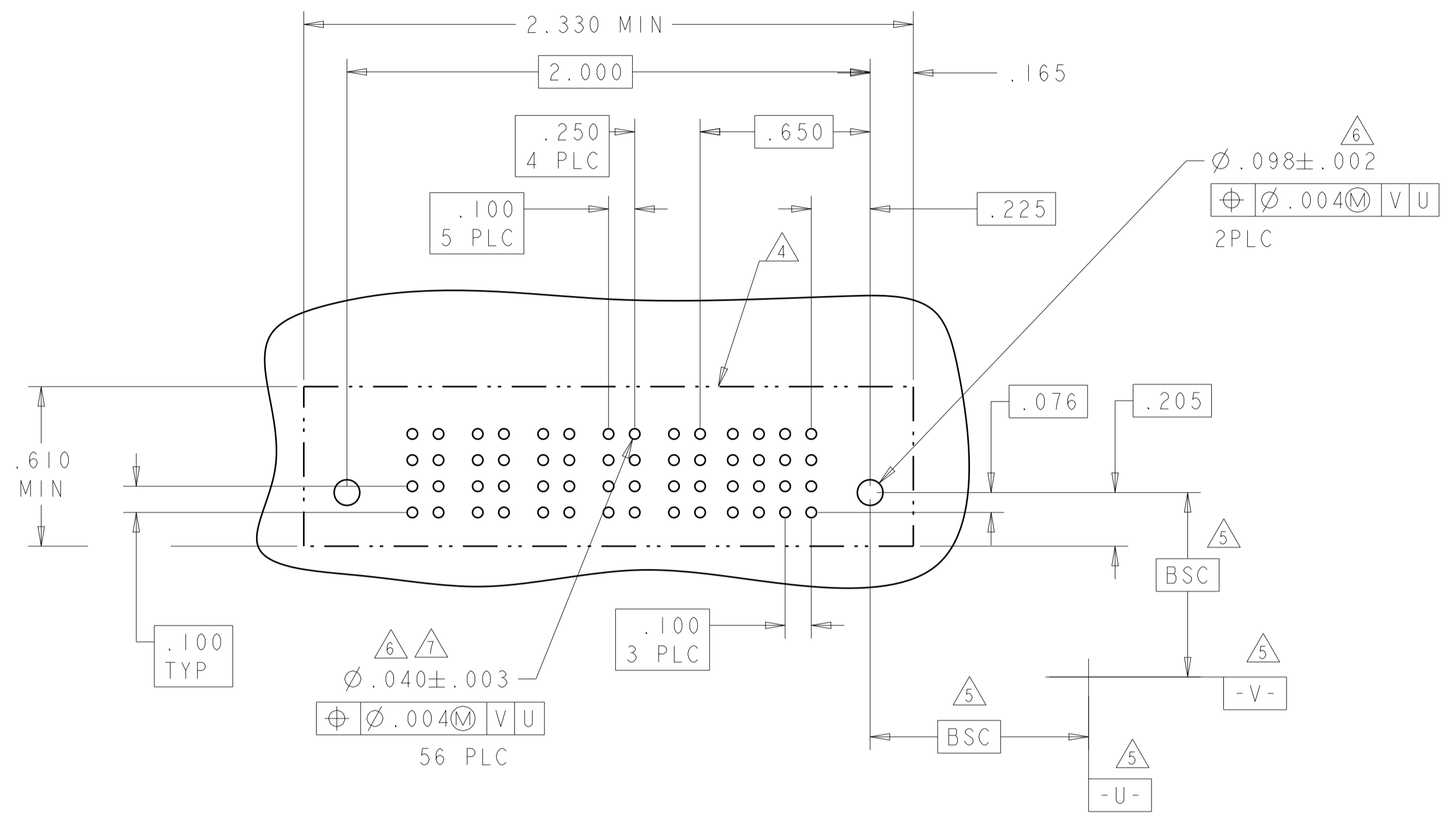
⊘ D2	2.325	2.275	.250	.425	2.625	.925	24S + 6P	6450151-7
⊘ D	1.600	1.550	.325	.425	1.900	.775	4S + 3ACP	6450151-6
	2.450	2.400	.250	.375	2.750	1.050	24S + 6P	6450151-5
	3.375	3.325	.200	.375	3.675	1.050	24S + 12HDP	6450151-4
	1.900	1.850	.300	.375	2.200	1.125	24S + 3ACP	6450151-3
	2.750	2.700	.300	.375	3.050	.775	12S + 7ACP	6450151-2
⚠ 8	2.000	1.950	.250	.375	2.300	.850	16S + 5P	6450151-1
⚠ 8	DIM D	DIM U	DIM S	DIM W	DIM L	DIM K	DESCRIPTION	PART NUMBER

DIMENSIONS: INCHES 		TOLERANCES UNLESS OTHERWISE SPECIFIED: 0 PLC ±. 1 PLC ±.01 2 PLC ±.01 3 PLC ±.005 4 PLC ±.002 ANGLES ±.020		DWN R. GRZYBOWSKI 17FEB05 CHK M. PERCHERKE APVD M. PERCHERKE PRODUCT SPEC 108-1973 APPLICATION SPEC 114-13038 WEIGHT CUSTOMER DRAWING		Tyco Electronics Corporation Shanghai, P.R. China, 200233 NAME VERTICAL RECEPTACLE WITH GUIDES MULTI-BEAM XL SIZE CAGE CODE DRAWING NO A1 00779 C=6450151 SCALE 4:1 SHEET 1 OF 4 REV D4	
---------------------------	--	--	--	---	--	--	--

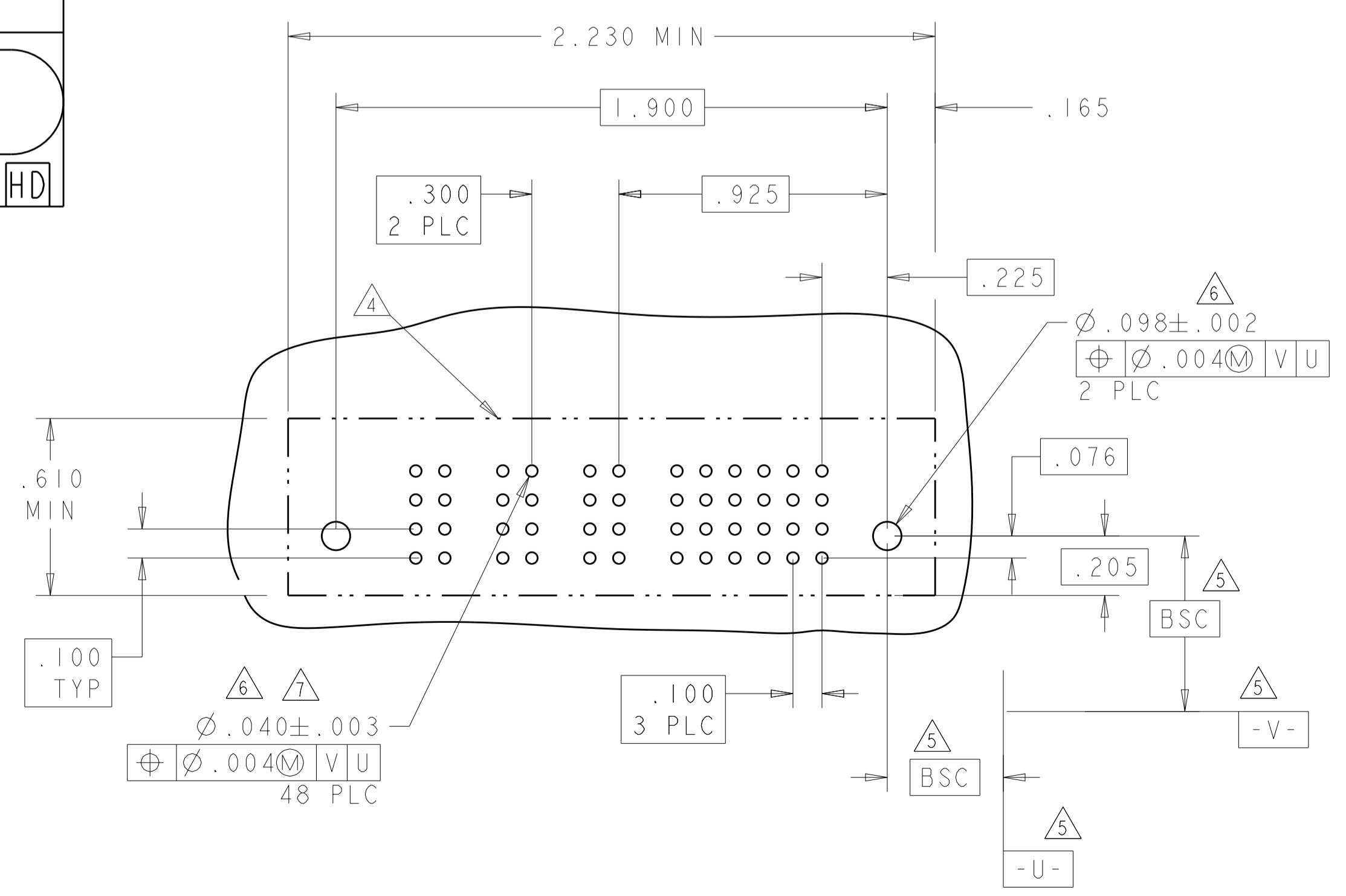
LOC	DIST	REVISIONS					
ES	00	P	LTN	DESCRIPTION	DATE	DWN	APVD
		-		SEE SHEET 1			

ASSY PART NUMBER	ROWS	POWER					SIGNAL			
		P5	P4	P3	P2	P1	4	3	2	1
6450151-1	DCBA	VA	VM	VM	VM	VA	E	E	E	E
16S + 5P										

ASSY PART NUMBER	ROWS	POWER							SIGNAL		
		P7	P6	P5	P4	P3	P2	P1	3	2	1
6450151-2	DCBA	VM	VM	VM	VM	VM	VM	VM	E	E	E
12S + 7ACP											



ASSY PART NUMBER	ROWS	POWER			SIGNAL					
		P3	P2	P1	6	5	4	3	2	1
6450151-3	DCBA	VM	VM	VA	E	E	E	E	E	E
24S + 3ACP										



<small>THIS DRAWING IS UNPUBLISHED. RELEASED FOR PUBLICATION BY TYCO ELECTRONICS CORPORATION. ALL RIGHTS RESERVED.</small>		DWN: R. GRZYBOWSKI CHK: M. PERCHERKE APVD: M. PERCHERKE	17FEB05 NAME: VERTICAL RECEPTACLE WITH GUIDES MULTI-BEAM XL PRODUCT SPEC: 108-1973 APPLICATION SPEC: 114-13038 WEIGHT: - SCALE: 4:1	Tyco Electronics Corporation Shanghai, P.R. China, 200233
DIMENSIONS: INCHES TOLERANCES UNLESS OTHERWISE SPECIFIED: 0 PLC ±. 1 PLC ±.01 2 PLC ±.01 3 PLC ±.005 4 PLC ±.0020 ANGLES ±.	MATERIAL: - FINISH: -	SIZE: A CAGE CODE: 00779 DRAWING NO: 6450151 SHEET 2 OF 4 REV D4	RESTRICTED TO: - CUSTOMER DRAWING	

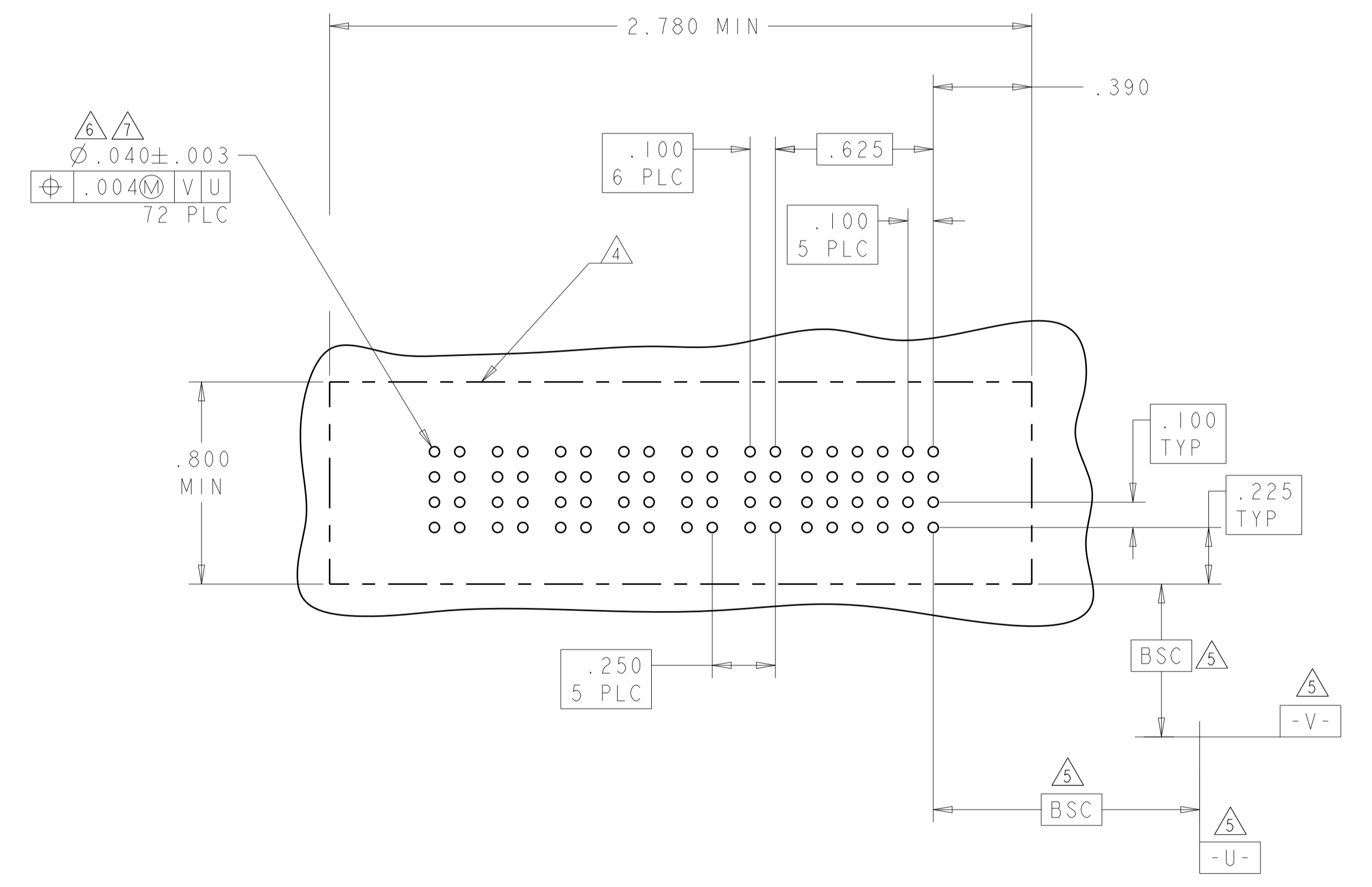
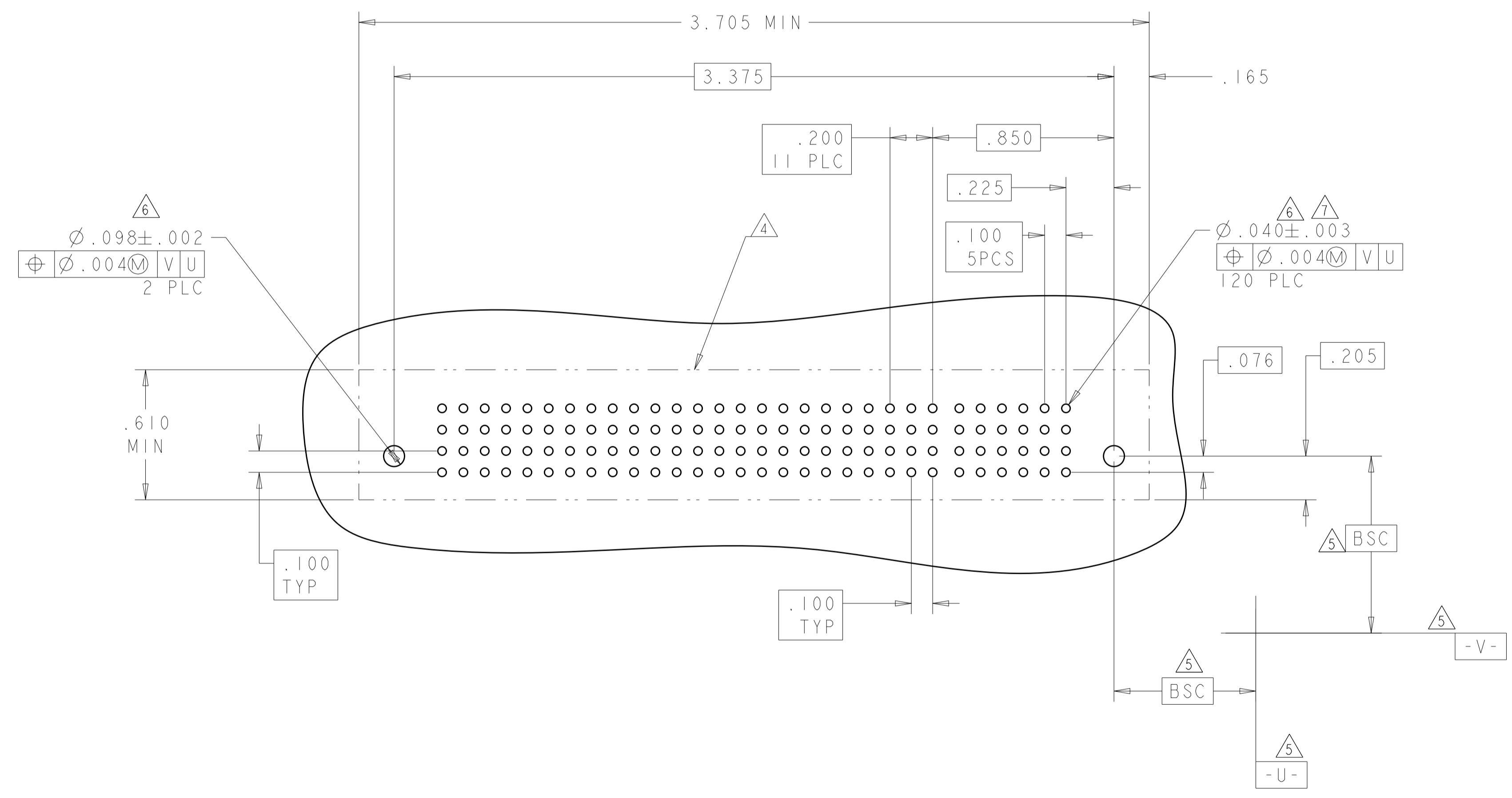
LOC	DIST	REV	DATE	BY	APPD
ES	00				

REVISIONS			
NO	DESCRIPTION	DATE	BY
-	SEE SHEET 1	-	-

PART NUMBER	ROWS	POWER										SIGNAL							
		P12	P11	P10	P9	P8	P7	P6	P5	P4	P3	P2	P1	6	5	4	3	2	1
6450151-4	D C B A	VM	VM	VM	VM	VM	VM	VA	VA	VA	VA	VA	VA	E	E	E	E	E	E
24S + 12HDP														E	E	E	E	E	E

PART NUMBER	ROWS	POWER						SIGNAL					
		P6	P5	P4	P3	P2	P1	6	5	4	3	2	1
6450151-5	D C B A	VM	VM	VM	VA	VA	VA	E	E	E	E	E	E
24S + 6P								E	E	E	E	E	E



CODE	TAIL LENGTH
J	.090
E	.135

CODE	TAIL LENGTH	DESCRIPTION
VN	.090	STD
VB	.090	MFBL
VA	.135	MFBL
VM	.135	STD

<small>THIS DRAWING IS UNPUBLISHED. RELEASED FOR PUBLICATION. IT IS THE PROPERTY OF TYCO ELECTRONICS CORPORATION AND IS TO BE USED FOR THE DESIGN AND CONSTRUCTION OF THE PRODUCT SPECIFIED HEREIN. IT IS TO BE KEPT IN CONFIDENTIALITY AND NOT TO BE REPRODUCED OR TRANSMITTED IN ANY FORM OR BY ANY MEANS, ELECTRONIC OR MECHANICAL, INCLUDING PHOTOCOPYING, RECORDING, OR BY ANY INFORMATION STORAGE AND RETRIEVAL SYSTEM. WITHOUT THE WRITTEN PERMISSION OF TYCO ELECTRONICS CORPORATION.</small>		DWN: R. GRZYBOWSKI CHK: M. PERCHERKE APVD: M. PERCHERKE	17FEB05 Tyco Electronics Corporation Shanghai, P.R. China, 200233
DIMENSIONS: INCHES 	TOLERANCES UNLESS OTHERWISE SPECIFIED: 0 PLC ±. 1 PLC ±.01 2 PLC ±.01 3 PLC ±.005 4 PLC ±.002 ANGLES ±.020	PRODUCT SPEC: 108-1973 APPLICATION SPEC: 114-13038 WEIGHT:	NAME: VERTICAL RECEPTACLE WITH GUIDES MULTI-BEAM XL SIZE: A1 CAGE CODE: 00779 DRAWING NO: 6450151 RESTRICTED TO:
MATERIAL:	FINISH:	CUSTOMER DRAWING	SCALE: 4:1 SHEET 3 OF 4 REV: D4

LOC	DIST	REV	DATE	BY	APP'D
ES	00				
DESCRIPTION			DATE	BY	APP'D
SEE SHEET 1					

ASSY PART NUMBER	ROWS	POWER			SIGNAL	
		P3	P2	P1	2	1
6450151-6	D C B A	VM	VM	VA	E	E
4S + 3ACP					E	E

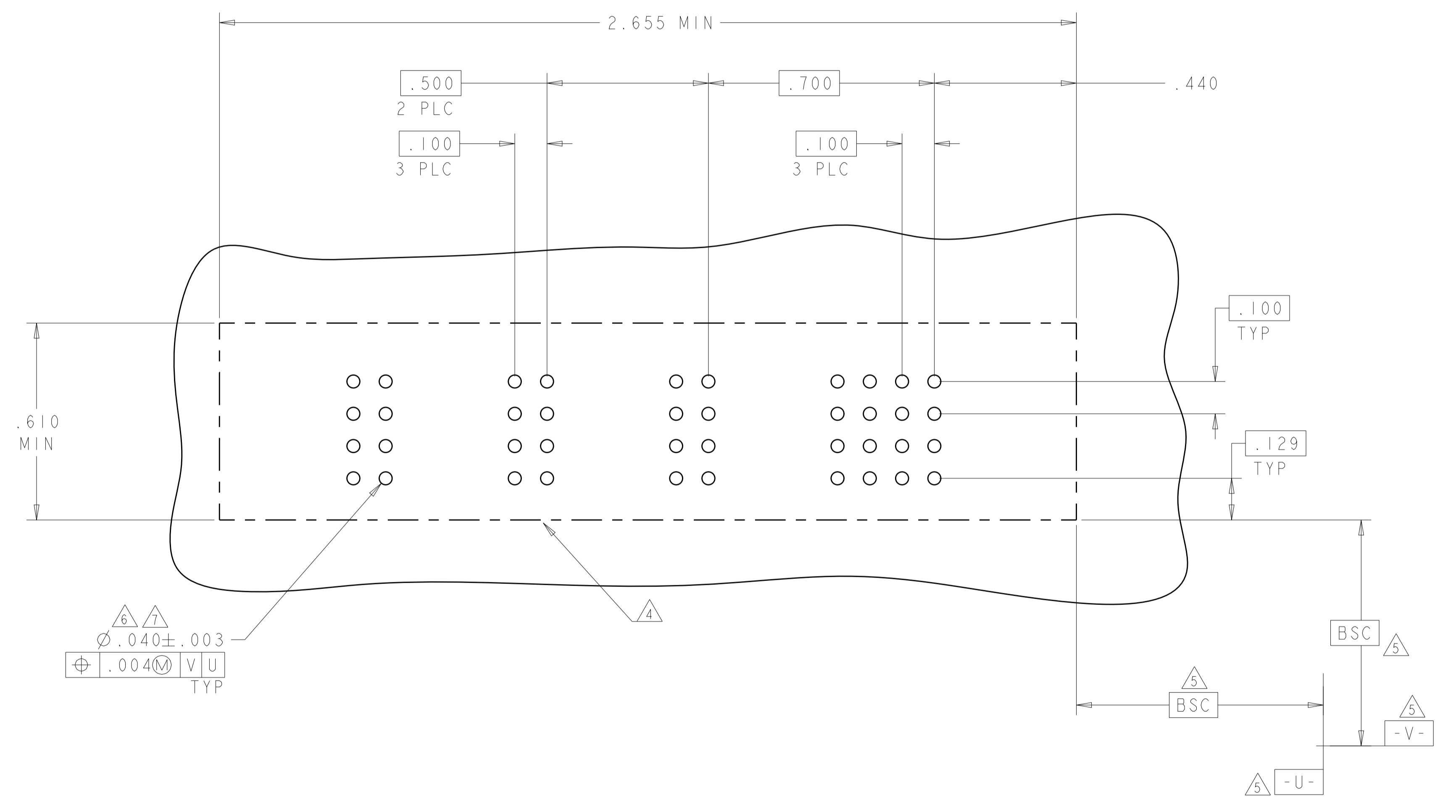
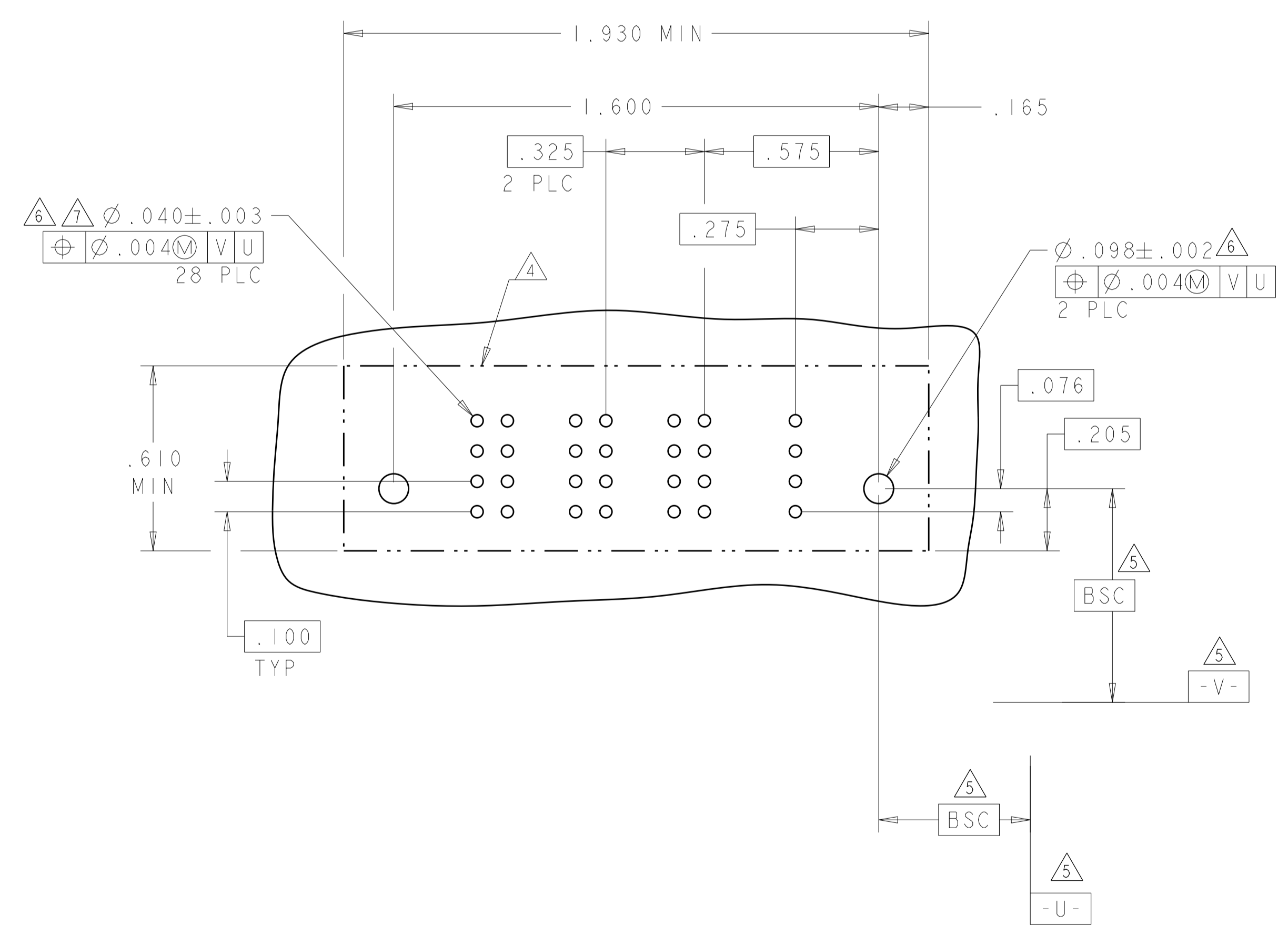
PART NUMBER	ROWS	POWER						SIGNAL			
		P6	P5	P4	P3	P2	P1	4	3	2	1
6450151-7	D C B A	VM		VM		VA		E	E	E	E
16S + 6P								E	E	E	E

D3

D3

NO CONTACTS LOADED

NO CONTACTS LOADED



DIMENSIONS: INCHES 		TOLERANCES UNLESS OTHERWISE SPECIFIED: 0 PLC ±. 1 PLC ±. 2 PLC ±.01 3 PLC ±.005 4 PLC ±.0020 ANGLES ±.0020		DWG: R.GRZYBOWSKI 17FEB05 CHK: M.PERCHEKKE APVD: M.PERCHEKKE NAME: VERTICAL RECEPTACLE WITH GUIDES MULTI-BEAM XL PRODUCT SPEC: 108-1973 APPLICATION SPEC: 114-13038 WEIGHT: A1 00779 SCALE: 4:1		Tyco Electronics Corporation Shanghai, P.R.China. 200233 SHEET 4 OF 4 REV D4	
---------------------------	--	--	--	--	--	---	--

单击下面可查看定价，库存，交付和生命周期等信息

[>>TE Connectivity\(泰科\)](#)