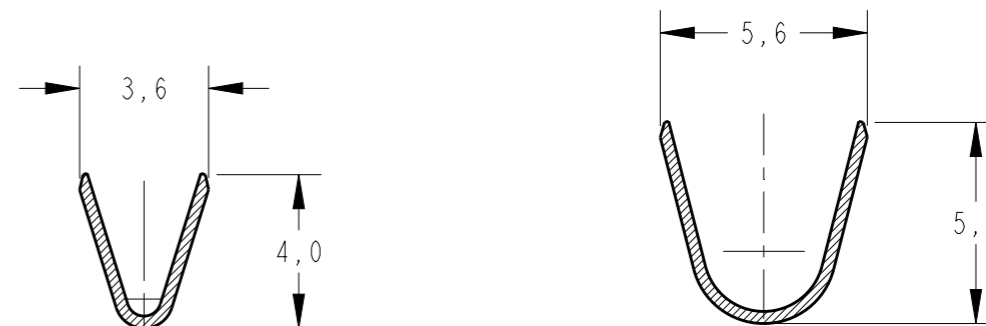
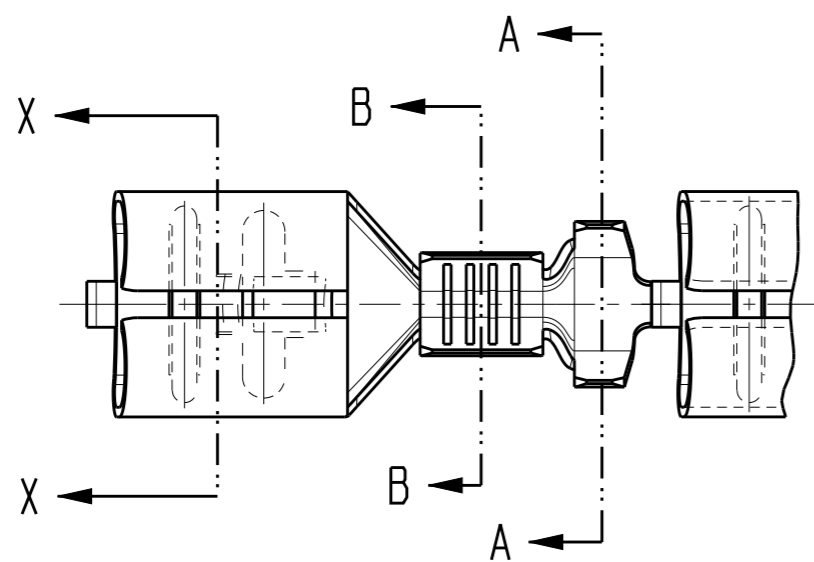
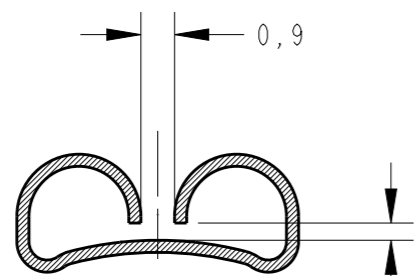
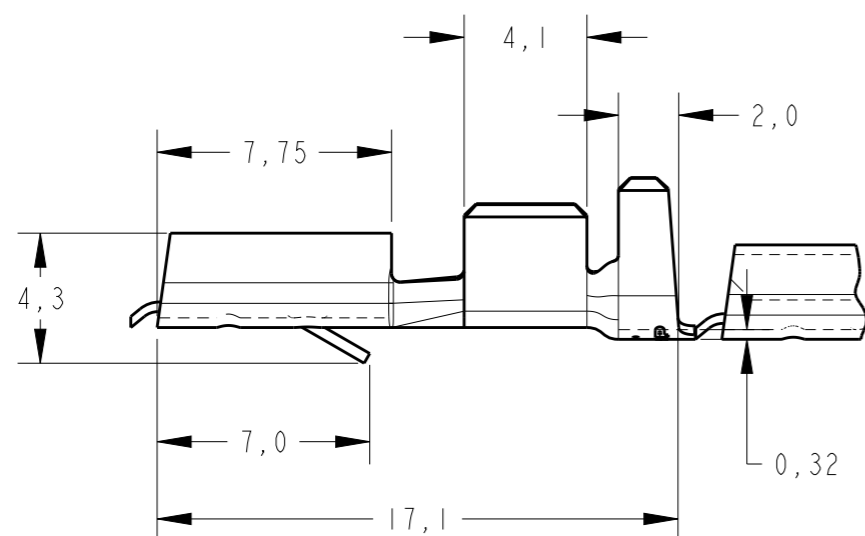


LOC	DIST	REVISIONS			
P	LTR	DESCRIPTION	DATE	DWN	APVD
AP	-				
	F3	REDRAW BY CAD ECO-12-014149	27AUG2012	NCL	DAO
	F4	REVISED BY ECO 16-003725	23JUN2016	HC	WLS



SECTION B-B  
SCALE 5:1

SECTION A-A  
SCALE 5:1



SECTION X-X  
SCALE 5:1

PARA LINGUETA DE 0,8mm ESPESSURA FOR 0,8mm TAB

<del>OBSOLETE</del>	<del>PLATEADO/SILVER PLATED</del>	<del>BRONZE FOSF./PHOSP BRONZE</del>	<del>735222 -6</del>
<del>OBSOLETE</del>	<del>PLATEADO/SILVER PLATED</del>	<del>LATÃO / BRASS</del>	<del>735222 -5</del>
<del>OBSOLETE</del>	<del>ESTANHADO / TIN PLATED</del>	<del>BRONZE FOSF./PHOSP BRONZE</del>	<del>735222 -4</del>
<del>OBSOLETE</del>		<del>BRONZE FOSF./PHOSP BRONZE</del>	<del>735222 -3</del>
	ESTANHADO / TIN PLATED	LATÃO / BRASS	735222 -2
		LATÃO / BRASS	735222 -1
	FINISH	MATERIAL	PART NUMBER

INS. RANGE	WIRE RANGE
Ø 3,0-4,3mm	1,0-2,5mm <sup>2</sup>

THIS DRAWING IS A CONTROLLED DOCUMENT.

DWN NCLAPRESA 13JUL2012  
CHK JRGOLDSCHMIDT 13JUL2012  
APVD DAOLIVEIRA 13JUL2012

NAME: -  
PRODUCT SPEC: 108-37015  
APPLICATION SPEC: 114-18022  
WEIGHT: -

**STE** TE Connectivity

TERMINAL FASTIN-FASTON.250 RECEPT

SIZE: A3 CAGE CODE: 00779 DRAWING NO: C-735222 RESTRICTED TO: -

Customer Drawing SCALE: - SHEET: 1 OF: 1 REV: F4

PERSPECTIVE VIEW  
SCALE 2:1

单击下面可查看定价，库存，交付和生命周期等信息

[>>TE Connectivity\(泰科\)](#)