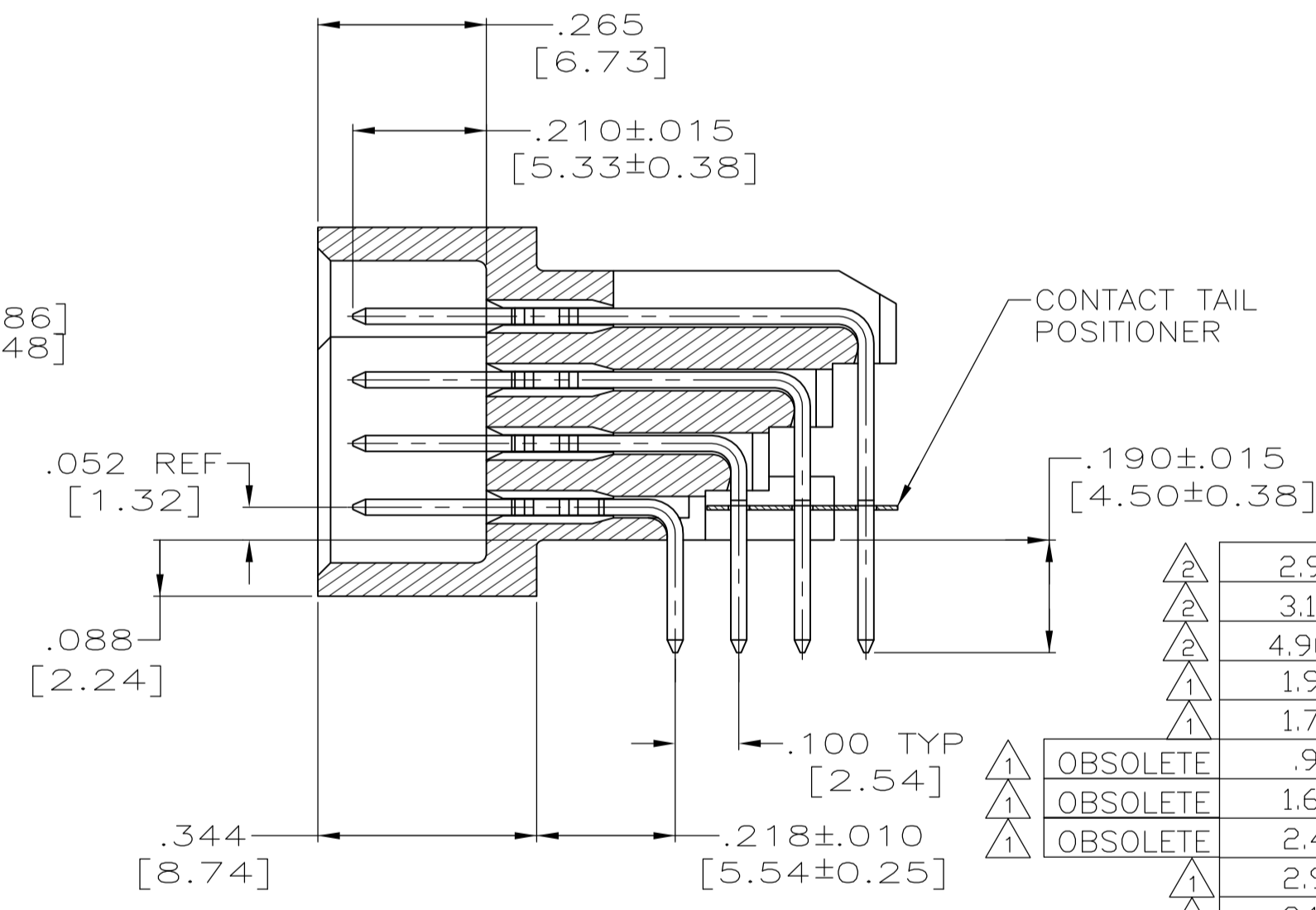
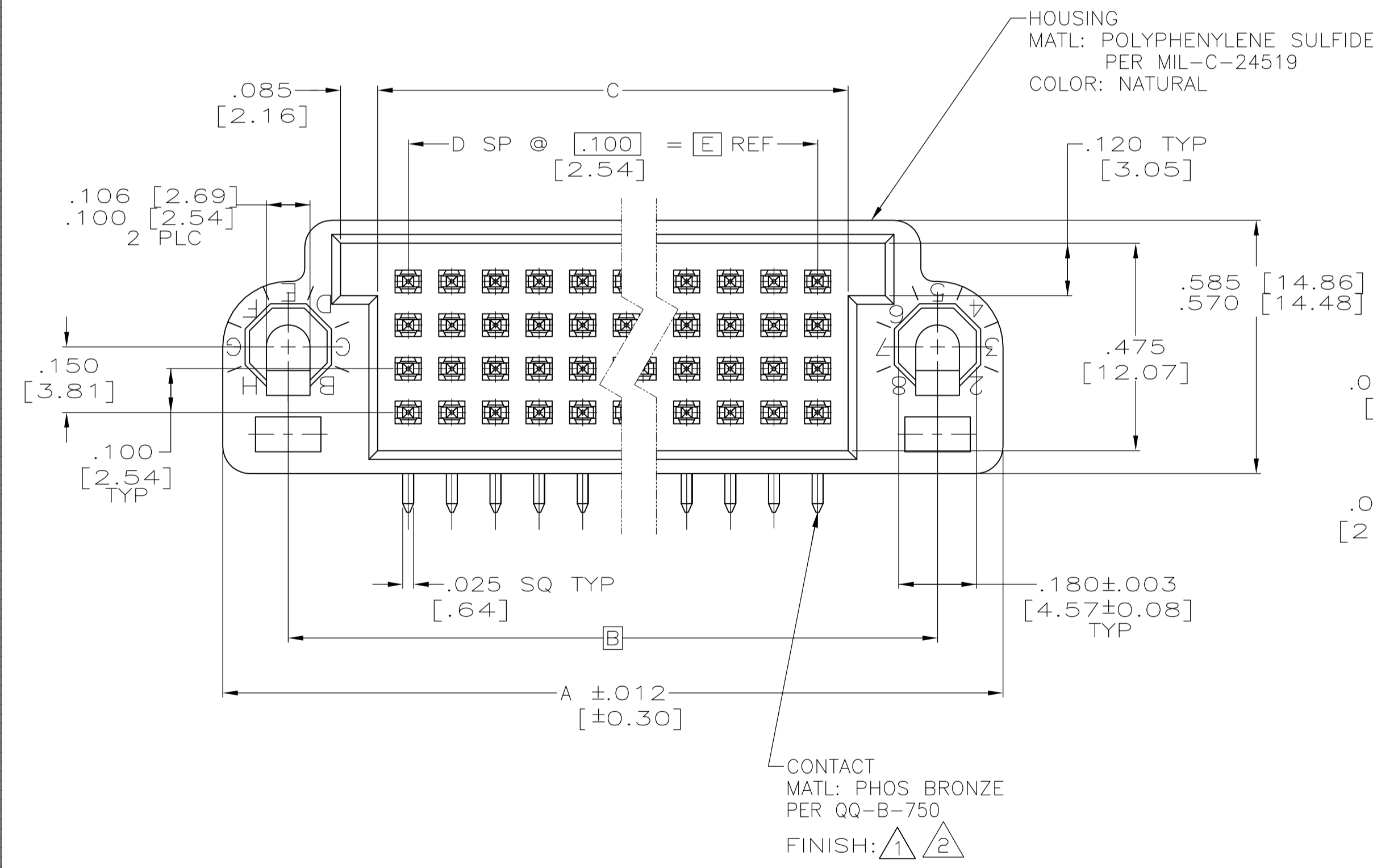
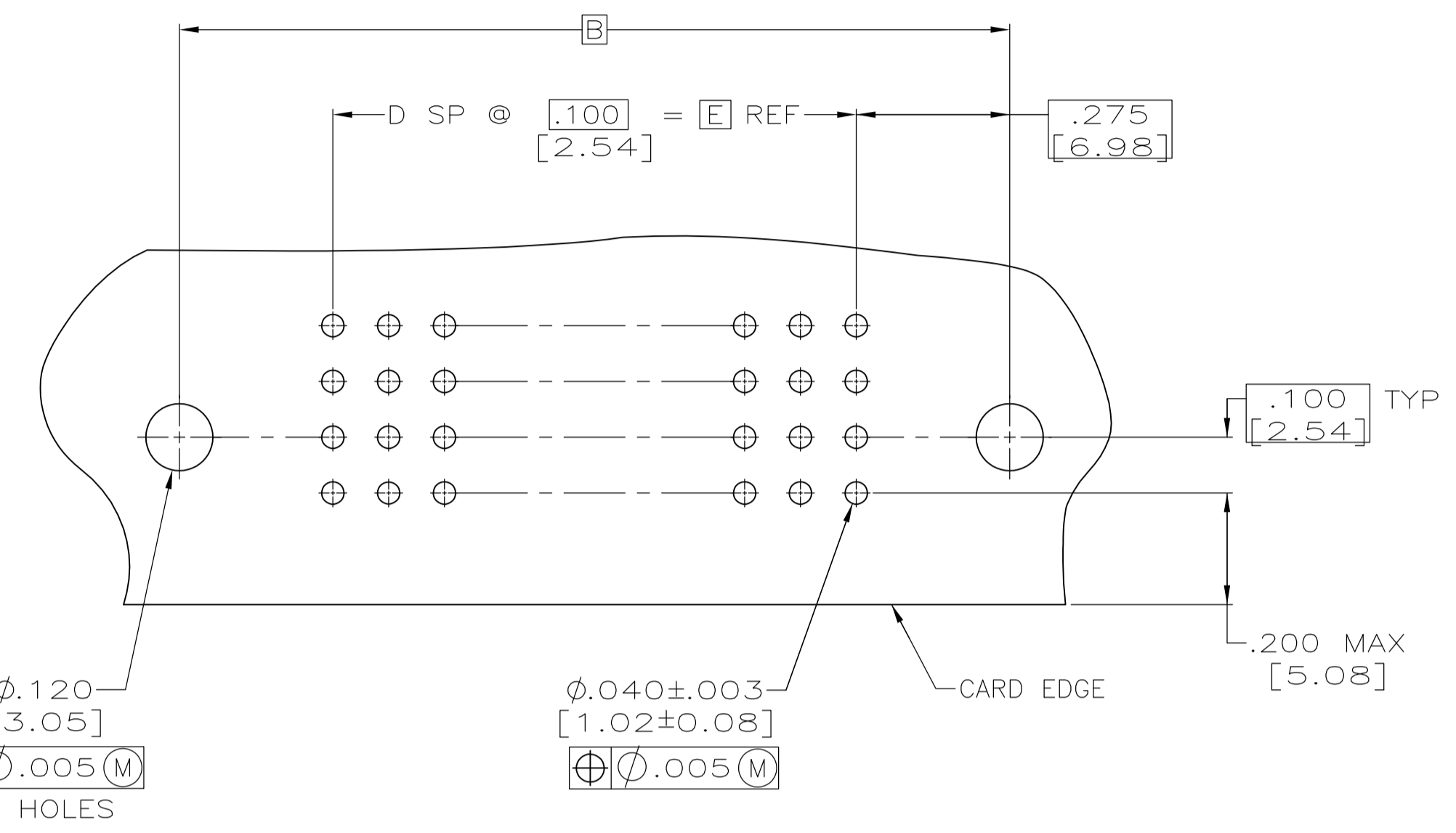
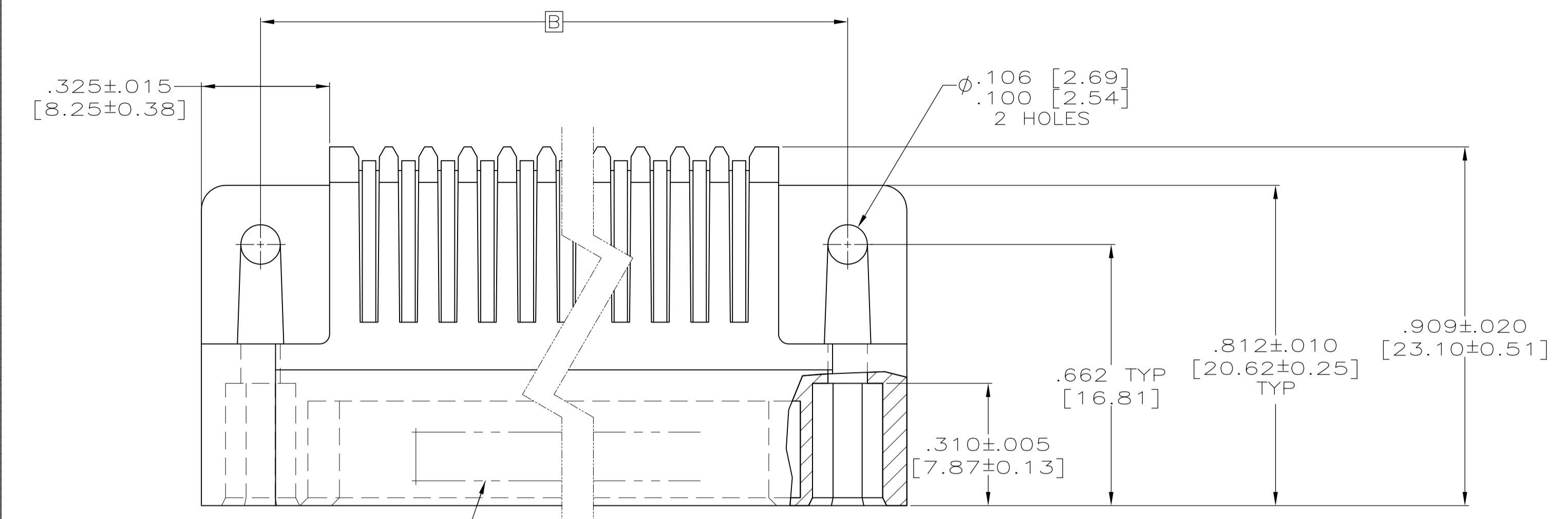


LOC		DIST		REVISIONS			
P	LTR	DESCRIPTION	DATE	DMN	APVD		
L	REV PER ECO	10-017000	10-13-10	SK	DM		



$\triangle 1$ FINISH: PLATED GOLD .000050 THK PER ASTM-B-488 ON MATING END FOR A LENGTH OF .120 MIN WITH A POINT OF PLATING THICKNESS MEASUREMENT .060 FROM MATING END OF CONTACT; TAILS PLATED TIN-LEAD; ALL OVER NICKEL PER AMS QQ-N-290.

$\triangle 2$ FINISH: PLATED GOLD .000050 THK PER ASTM-B-488 ON MATING END FOR A LENGTH OF .120 MIN WITH A POINT OF PLATING THICKNESS MEASUREMENT .060 FROM MATING END OF CONTACT; TAILS PLATED TIN; ALL OVER NICKEL PER AMS QQ-N-290.

$\triangle 2$	2.900 [73.66]	29	3.050 [77.47]	3.450 [87.63]	3.750 [95.25]	120	6-446080-8
$\triangle 2$	3.100 [78.74]	31	3.250 [82.55]	3.650 [92.71]	3.950 [100.33]	128	6-446080-7
$\triangle 2$	4.900 [124.46]	49	5.050 [128.27]	5.450 [138.43]	5.750 [146.05]	200	6-446080-0
$\triangle 2$	1.900 [48.26]	19	2.050 [52.07]	2.450 [62.23]	2.750 [69.85]	80	2-446080-3
$\triangle 1$	1.700 [43.18]	17	1.850 [46.99]	2.250 [57.15]	2.550 [64.77]	72	2-446080-2
$\triangle 1$.900 [22.86]	9	1.050 [26.67]	1.450 [36.83]	1.750 [44.45]	40	2-446080-1
$\triangle 1$	1.600 [40.64]	16	1.750 [44.45]	2.150 [54.61]	2.450 [62.23]	68	2-446080-0
$\triangle 1$	2.400 [60.96]	24	2.550 [64.77]	2.950 [74.93]	3.250 [82.55]	100	1-446080-9
$\triangle 1$	2.900 [73.66]	29	3.050 [77.47]	3.450 [87.63]	3.750 [95.25]	120	1-446080-8
$\triangle 1$	3.100 [78.74]	31	3.250 [82.55]	3.650 [92.71]	3.950 [100.33]	128	1-446080-7
$\triangle 1$	3.400 [86.36]	34	3.550 [90.17]	3.950 [100.33]	4.250 [107.95]	140	1-446080-6
$\triangle 1$	3.700 [93.98]	37	3.850 [97.79]	4.250 [107.95]	4.550 [115.57]	152	1-446080-5
$\triangle 1$	3.900 [99.06]	39	4.050 [102.87]	4.450 [113.03]	4.750 [120.65]	160	1-446080-4
$\triangle 1$	4.100 [104.14]	41	4.250 [107.95]	4.650 [118.11]	4.950 [125.73]	168	1-446080-3
$\triangle 1$	4.400 [111.76]	44	4.550 [115.57]	4.950 [125.73]	5.250 [133.35]	180	1-446080-2
$\triangle 1$	4.700 [119.38]	47	4.850 [123.19]	5.250 [133.35]	5.550 [140.97]	192	1-446080-1
$\triangle 1$	4.900 [124.46]	49	5.050 [128.27]	5.450 [138.43]	5.750 [146.05]	200	1-446080-0
$\triangle 1$	5.300 [134.62]	53	5.450 [138.43]	5.850 [148.59]	6.150 [156.21]	216	446080-9
$\triangle 1$	5.400 [137.16]	54	5.550 [140.97]	5.950 [151.13]	6.250 [158.75]	220	446080-8
$\triangle 1$	5.700 [144.78]	57	5.850 [148.59]	6.250 [158.75]	6.550 [166.37]	232	446080-7
$\triangle 1$	5.900 [149.86]	59	6.050 [153.67]	6.450 [163.83]	6.750 [171.45]	240	446080-6
$\triangle 1$	6.400 [162.56]	64	6.550 [166.37]	6.950 [176.53]	7.250 [184.15]	260	446080-5
$\triangle 1$	6.600 [167.64]	66	6.750 [171.45]	7.150 [181.61]	7.450 [189.23]	268	446080-4
$\triangle 1$	6.900 [175.26]	69	7.050 [179.07]	7.450 [189.23]	7.750 [196.85]	280	446080-3
$\triangle 1$	7.200 [182.88]	72	7.350 [186.69]	7.750 [196.85]	8.050 [204.47]	292	446080-2
$\triangle 1$	7.400 [187.96]	74	7.550 [191.77]	7.950 [201.93]	8.250 [209.55]	300	446080-1
	E	D	C	B	A	POSN	PART NUMBER

THIS DRAWING IS A CONTROLLED DOCUMENT. DIMENSIONS: INCHES. TOLERANCES UNLESS OTHERWISE SPECIFIED: 0 PLC ± .01, 1 PLC ± .01, 2 PLC ± .01, 3 PLC ± .005, 4 PLC ± .005, ANGLES ± 1°.

APPROVED: TIM WIEST, 3-28-89. D. STONER, 4-3-89. D. STONER, 4-3-89.

NAME: PIN HEADER ASSEMBLY, FOUR ROW BOX, RIGHT ANGLE, W/ MOUNTING.

SIZE: A1. CASE CODE: 00779. DRAWING NO: 446080. WEIGHT: —. RESTRICTED TO: —.

CUSTOMER DRAWING. SCALE: 4:1. SHEET: 1 OF 1. REV: —.

单击下面可查看定价，库存，交付和生命周期等信息

[>>TE Connectivity\(泰科\)](#)