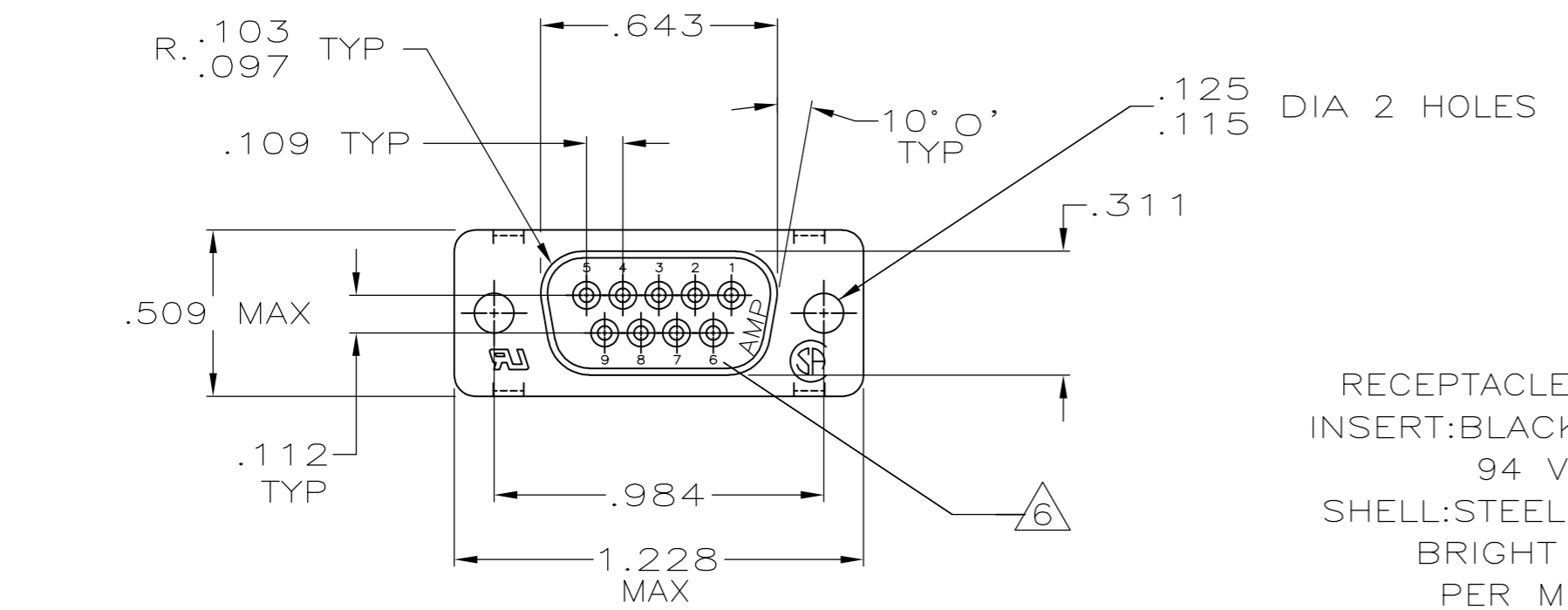
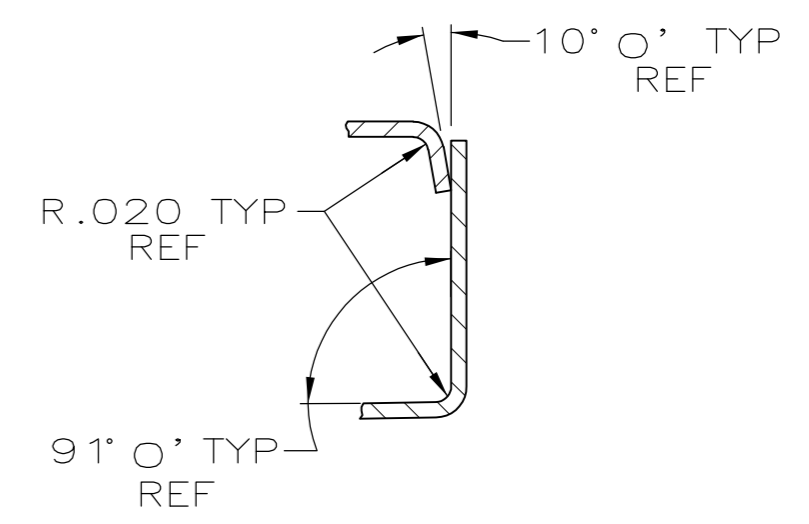


THIS DRAWING IS UNPUBLISHED. RELEASED FOR PUBLICATION
 © COPYRIGHT - By - ALL RIGHTS RESERVED.

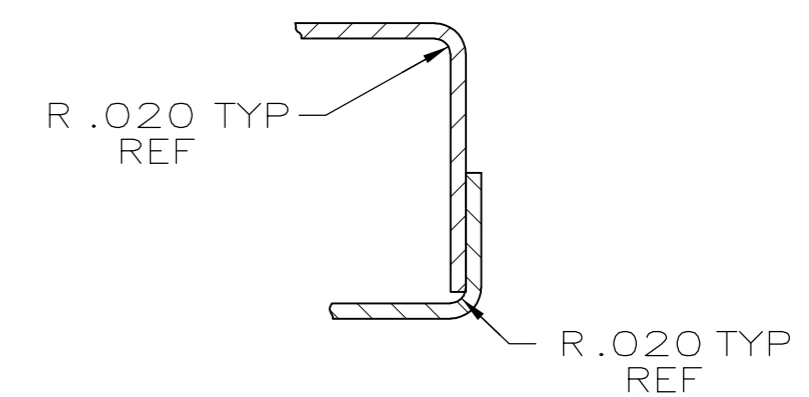
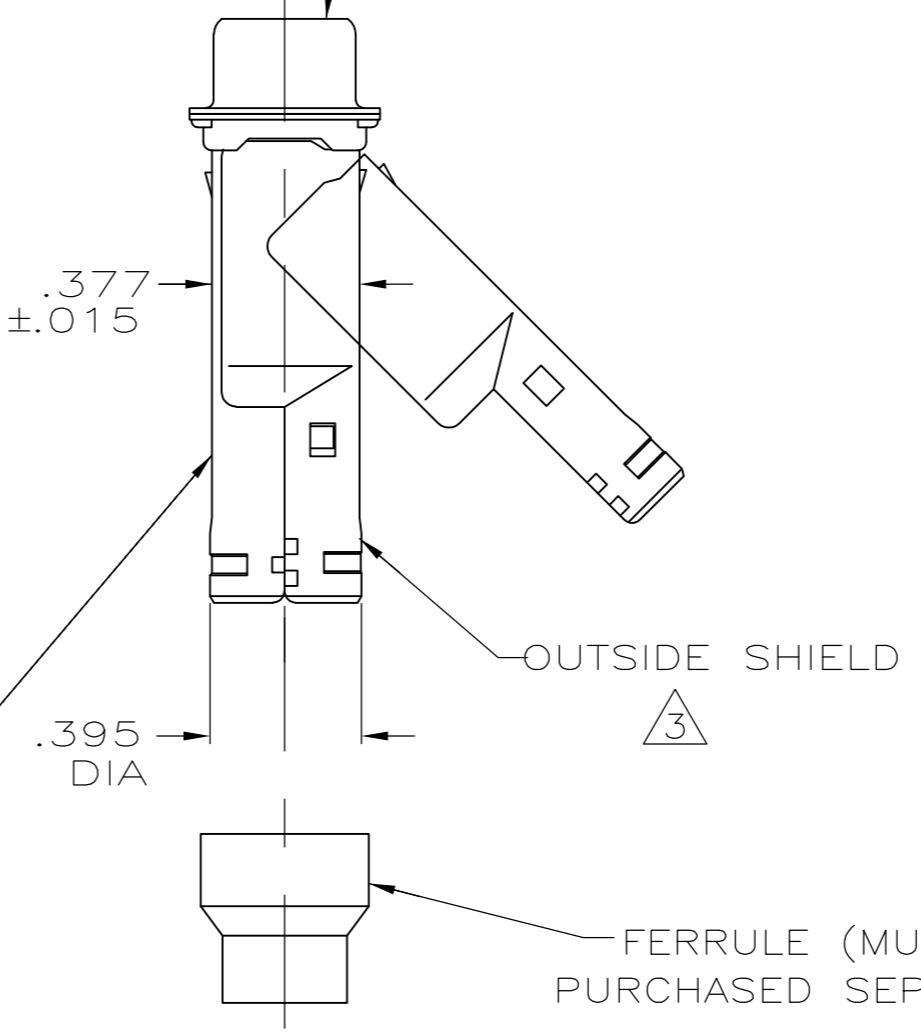
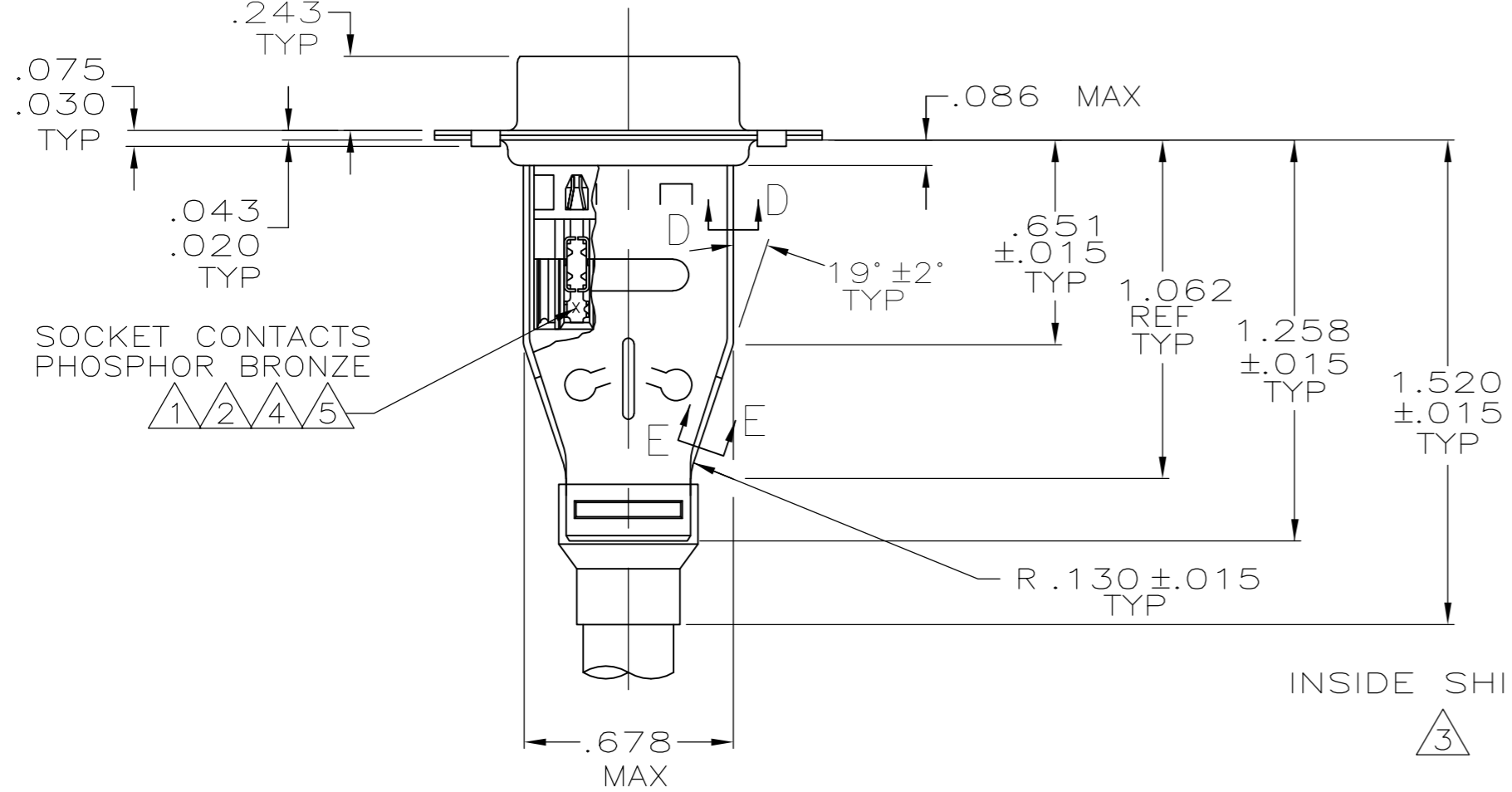
LOC		DIST		REVISIONS			
P	LTR	DESCRIPTION		DATE	DWN	APVD	
GP	00	G5	REVISED PER ECO-11-004835	11MAR11	RK	HMR	



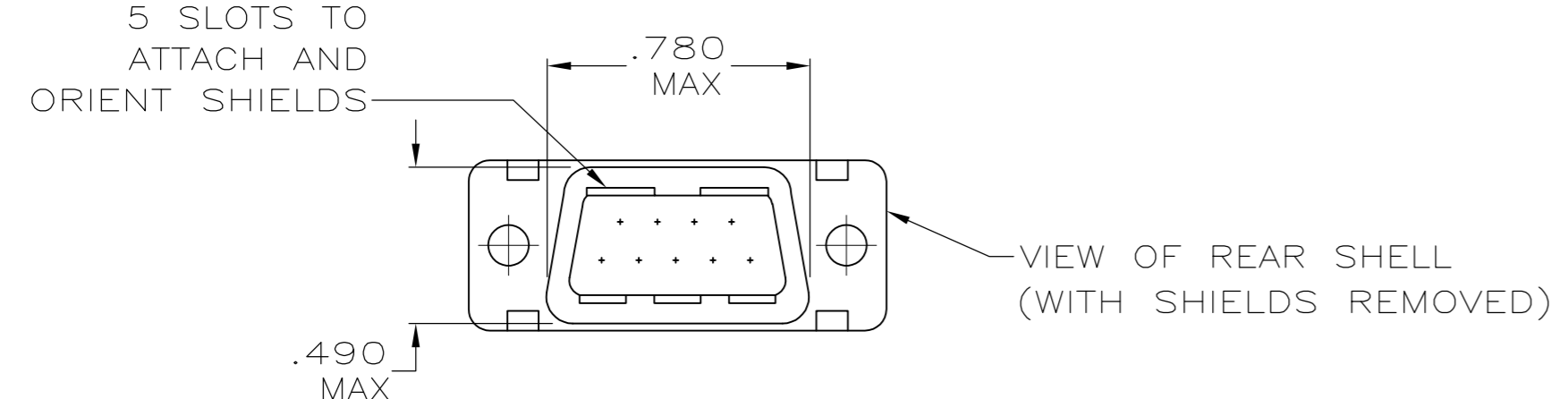
RECEPTACLE CONNECTOR ¹
 INSERT:BLACK THERMOPLASTIC
 94 V-0 RATED
 SHELL:STEEL PER ASTM A109
 BRIGHT TIN PLATED
 PER MIL-T-10727



SECTION D-D



SECTION E-E



- ¹ RECEPTACLE CONNECTOR FULLY LOADED WITH CONTACTS. ALL OTHER PARTS SHIPPED UNASSEMBLED (EACH PART INDIVIDUALLY BULK PACKED).
- ² NUMBER ON CONTACT INDICATES WIRE RANGE.
- ³ SHIELDS: MATERIAL-.020 THICK STEEL, TIN PLATED.
- ⁴ CONTACTS PLATED .000030 GOLD ON MATING END FOR .100 MIN LENGTH. .000100-.000200 BRIGHT TIN OR BRIGHT TIN-LEAD IN WIRE TERMINATION AREA. .000050 NICKEL UNDERPLATE ON ENTIRE CONTACT.
- ⁵ CONTACTS PLATED WITH GOLD FLASH ON MATING END FOR .100 MIN LENGTH. .000100-.000200 BRIGHT TIN OR BRIGHT TIN-LEAD IN WIRE TERMINATION AREA. .000030 NICKEL UNDERPLATE ON ENTIRE CONTACT.
- ⁶ RAISED CAVITY IDENTIFICATION AND AMP TRADEMARK.
- ⁷ CONTACTS PLATED .000030 GOLD ON MATING END FOR .100 MIN LENGTH. .000100-.000200 MATTE TIN IN WIRE TERMINATION AREA. .000050 NICKEL UNDERPLATE ON ENTIRE CONTACT.
- ⁸ CONTACTS PLATED WITH GOLD FLASH ON MATING END FOR .100 MIN LENGTH. .000100-.000200 MATTE TIN IN WIRE TERMINATION AREA. .000030 MIN NICKEL UNDERPLATE ON ENTIRE CONTACT.
- ⁹ OBSOLETE PARTS: OBSOLETE CIS STREAMLINING PER D.RENAUD/D.SINISI

CONTACT FINISH	WIRE RANGE	PART NUMBER
⁸	#22-26	747516-9
⁷	#20-22	747516-8
⁷	#22-26	747516-7
⁵	#20-22	747516-6
⁵	#22-26	747516-5
⁴	#26-30	747516-4
⁴	#20-22	747516-3
⁴	#22-26	747516-2
⁴	#26-30	747516-1

SUPERSEDED BY 747943-1

THIS DRAWING IS A CONTROLLED DOCUMENT.

DIMENSIONS: INCHES	TOLERANCES UNLESS OTHERWISE SPECIFIED:	DWN L. VARELA - DOCK5 11-16-04	TE Connectivity
		CHK J. GERACE 11-16-04	
		APVD M. WALMSLEY 11-16-04	KIT, RCPT, SHIELDING HARDWARE, SIZE 1, 9 POSN, HDE-20, AMPLIMITE
		PRODUCT SPEC 108-40030	
		APPLICATION SPEC 114-40002	SIZE A2
MATERIAL SEE CALL OUT	FINISH SEE CALL OUT	WEIGHT -	CAGE CODE 00779
		CUSTOMER DRAWING	DRAWING NO. 747516
		SCALE 2:1	SHEET 1 of 1
			REV G5

单击下面可查看定价，库存，交付和生命周期等信息

[>>TE Connectivity\(泰科\)](#)