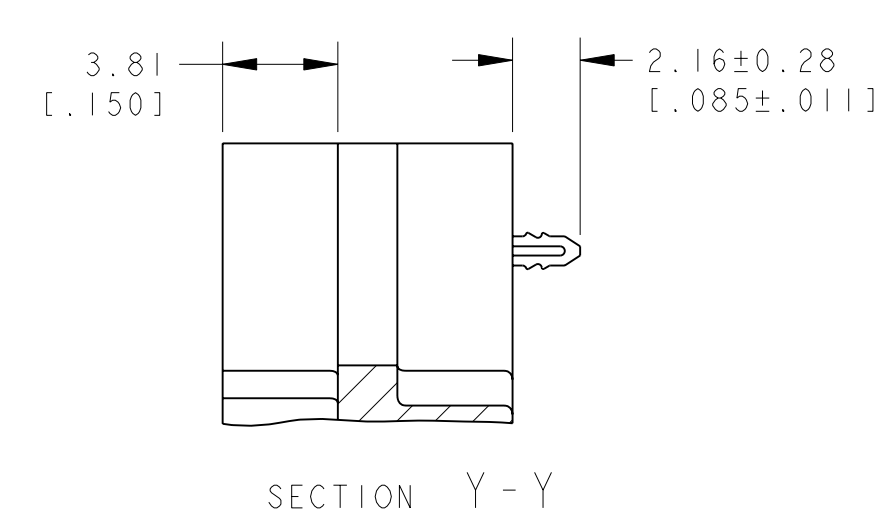
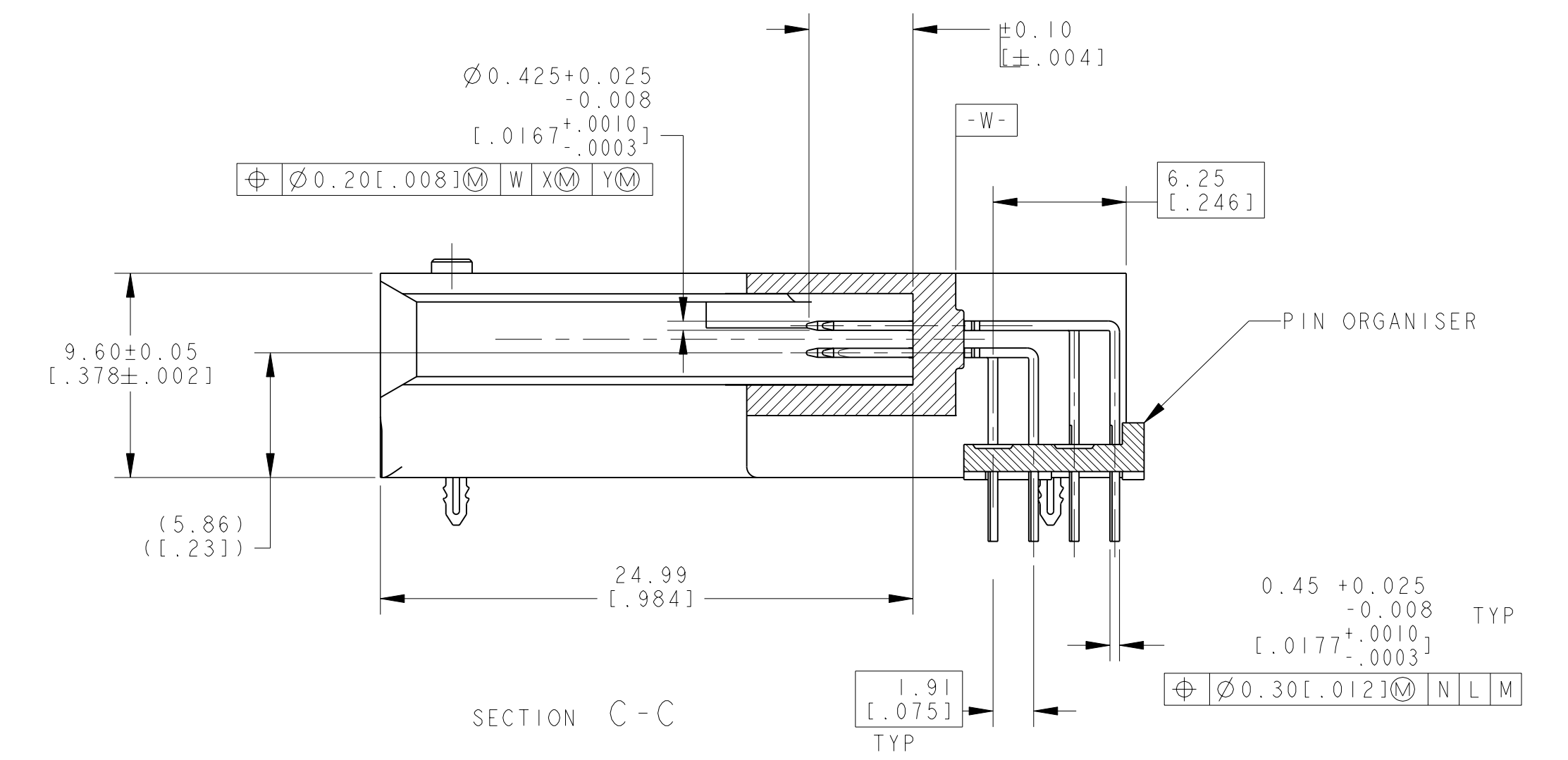
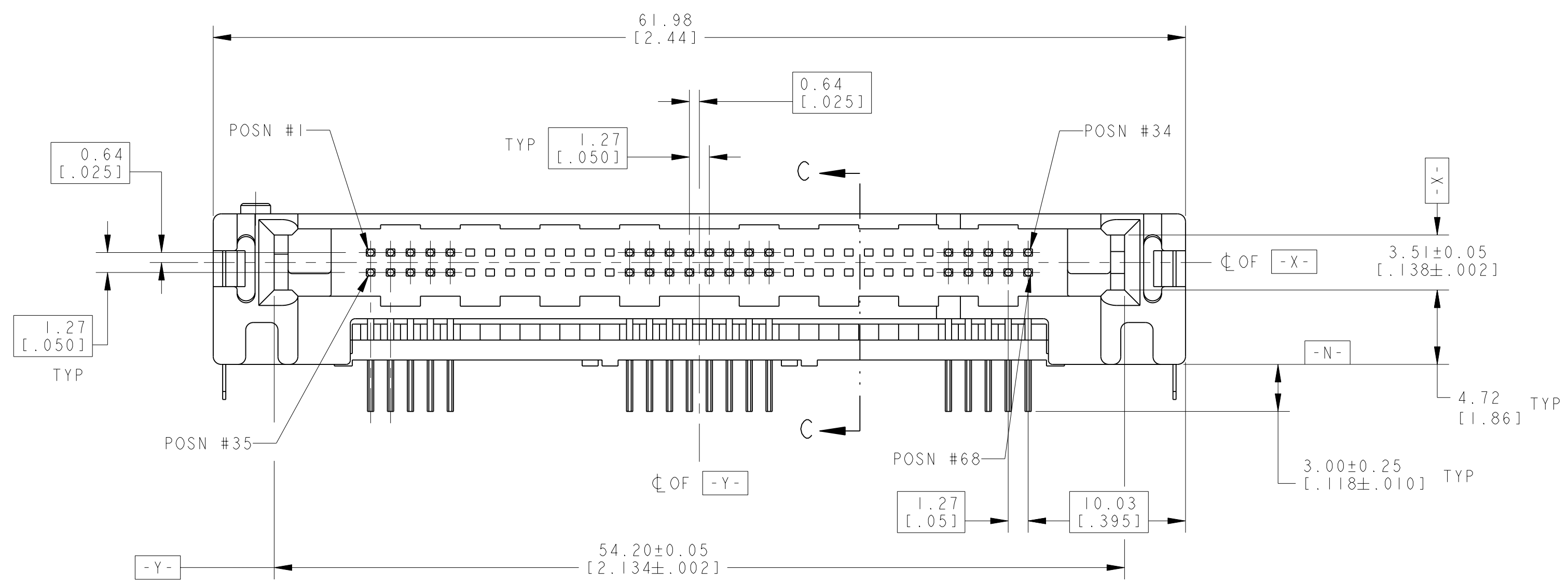
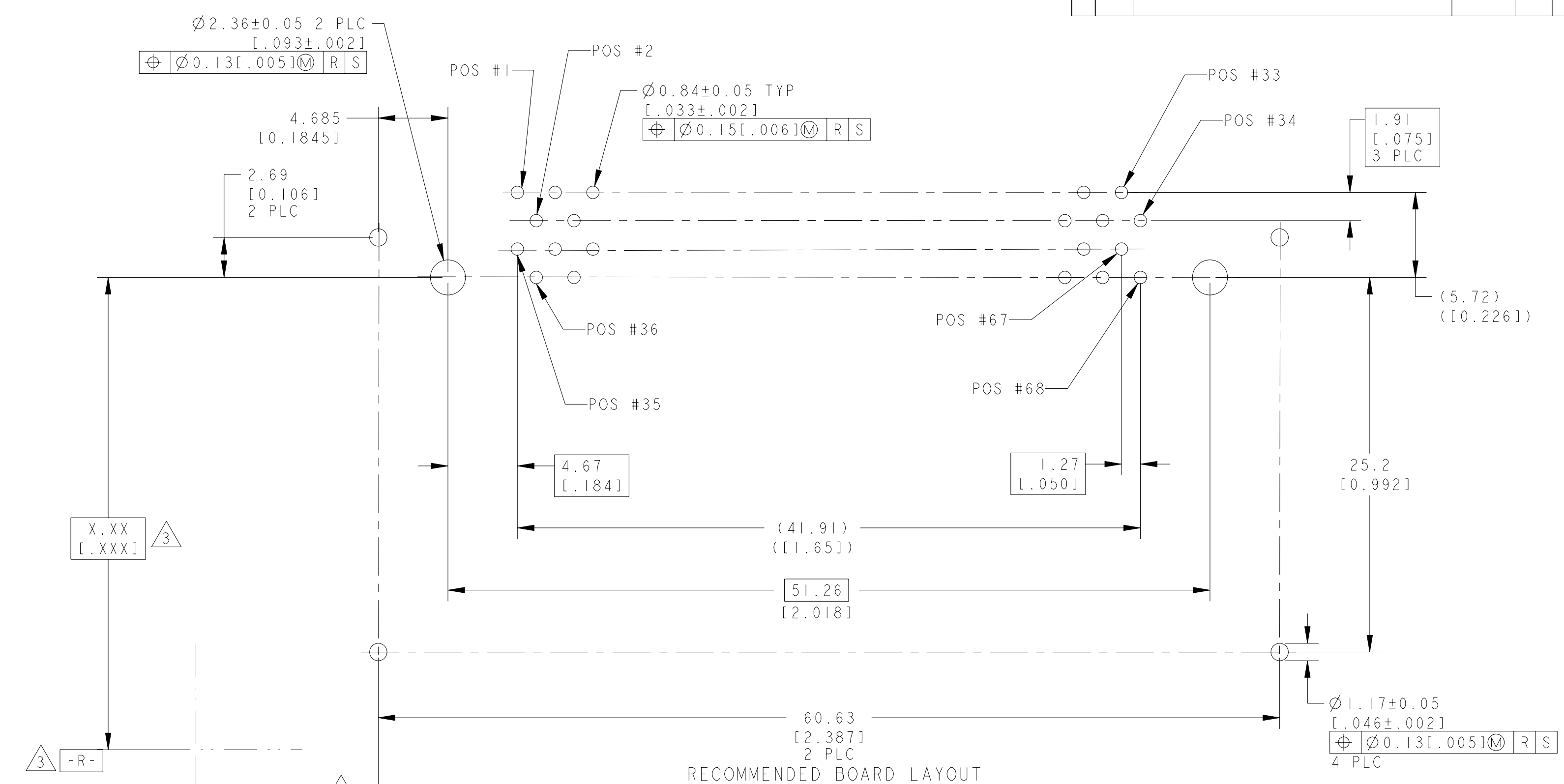
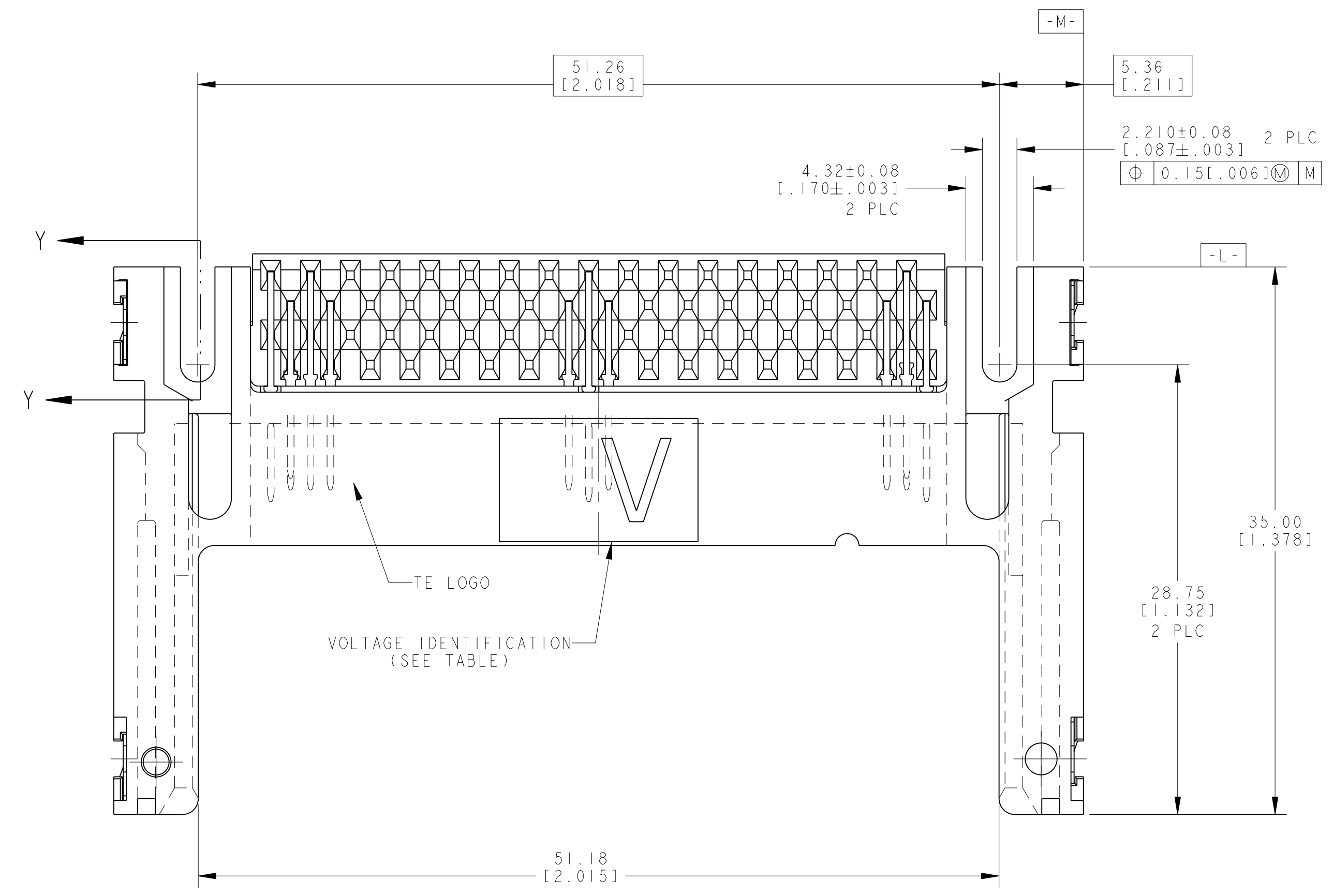


LOC	DIST	REV	DATE	APPD
-	-	D	05JAN2012	GG RRP



- NOTE
- △ PLATING: 0.03μ [0.007874μ] GOLD IN CONTACT AREA.
2μ [0.07874μ] TIN ON SOLDERTAILS
1.3μ [0.05118μ] - 4μ [0.1575μ] NICKEL ALL OVER
 - 2. CUSTOMER TO PROVIDE CARD GUIDANCE SYSTEM.
 - △ DATUMS AND BASIC DIMENSIONS ESTABLISHED BY CUSTOMER.
 - 4. CONNECTOR REQUIRES USE OF 2 - SIZE 2M SCREWS FOR FASTENING TO PRINTED CIRCUIT BOARD.
 - △ MATERIAL: HOUSING & ORGANISER : LCP, COLOR - BLACK
PIN : BRASS
HOLD-DOWN : PHOSPHOR BRONZE.
 - △ HOLD-DOWN : TIN PLATED
 - △ PLATING: 0.76μ [0.02992μ] GOLD IN CONTACT AREA.
2μ [0.07874μ] TIN ON SOLDERTAILS
1.3μ [0.05118μ] - 4μ [0.1575μ] NICKEL ALL OVER
 - △ PLATING: 0.08μ [0.00315μ] GOLD OVER 0.69μ PALLADIUM-NICKEL IN CONTACT AREA.
2μ [0.07874μ] TIN ON SOLDERTAILS
1.3μ [0.05118μ] - 4μ [0.1575μ] NICKEL ALL OVER

Symbol	Value	Pin Locations	Description	Part No.	Part Number
△8	LV	1, 17, 34, 35, 51, 68	ALL OTHER PINS	36. 67	1888562-6
△7	LV	1, 17, 34, 35, 51, 68	ALL OTHER PINS	36. 67	1888562-5
△8	5V	1, 17, 34, 35, 51, 68	ALL OTHER PINS	36. 67	1888562-4
△7	5V	1, 17, 34, 35, 51, 68	ALL OTHER PINS	36. 67	1888562-3
△1	LV	1, 17, 34, 35, 51, 68	ALL OTHER PINS	36. 67	1888562-2
△1	5V	1, 17, 34, 35, 51, 68	ALL OTHER PINS	36. 67	1888562-1
PLATING		0.197 [5.0]	VOLTAGE IDENTIFICATION	0.167 [4.25]	0.138 [3.5]
"L" (PIN LENGTH) AND LOCATION					

THIS DRAWING IS A CONTROLLED DOCUMENT. DWG: 5 Dec 2006
 CDR: 5 Dec 2006
 DIMENSIONS: mm [INCHES] TOLERANCES UNLESS OTHERWISE SPECIFIED:
 9 PLC ±
 3 PLC ±
 5 PLC ±
 4 PLC ±
 ANGLES ±0.13 [0.005]
 MATERIAL FINISH WEIGHT
 CUSTOMER DRAWING

APVD: Premjith
 NAME: Don Gorenc
 PRODUCT SPEC: -
 APPLICATION SPEC: -
 SIZE: CAGE CODE DRAWING NO. RESTRICTED TO: A100779C=1888562
 SCALE: 4:1 SHEET 1 OF 1 REV D

STE TE Connectivity
 PIN HEADER ASSY, 68 POS
 RAISED HT, TOP BRD MTG, THRU HOLE,
 WITH HOLD-DOWN, MEMORY CARD

单击下面可查看定价，库存，交付和生命周期等信息

[>>TE Connectivity\(泰科\)](#)