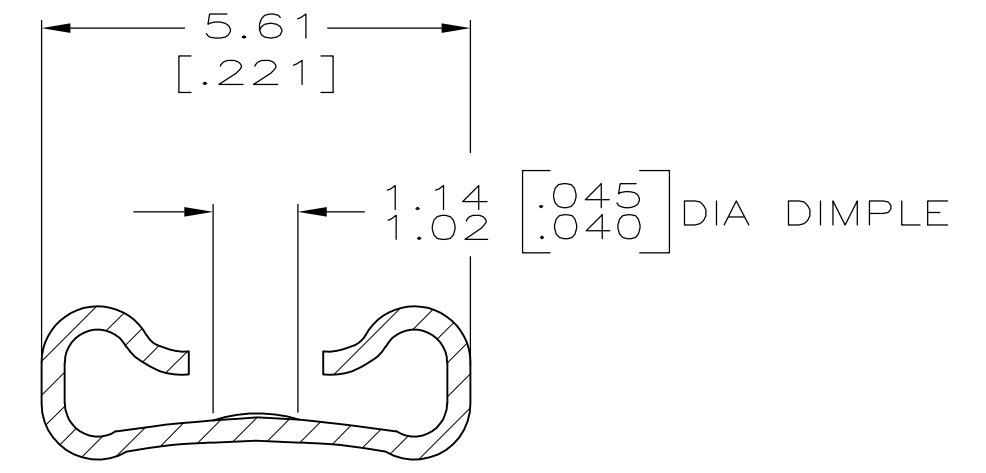
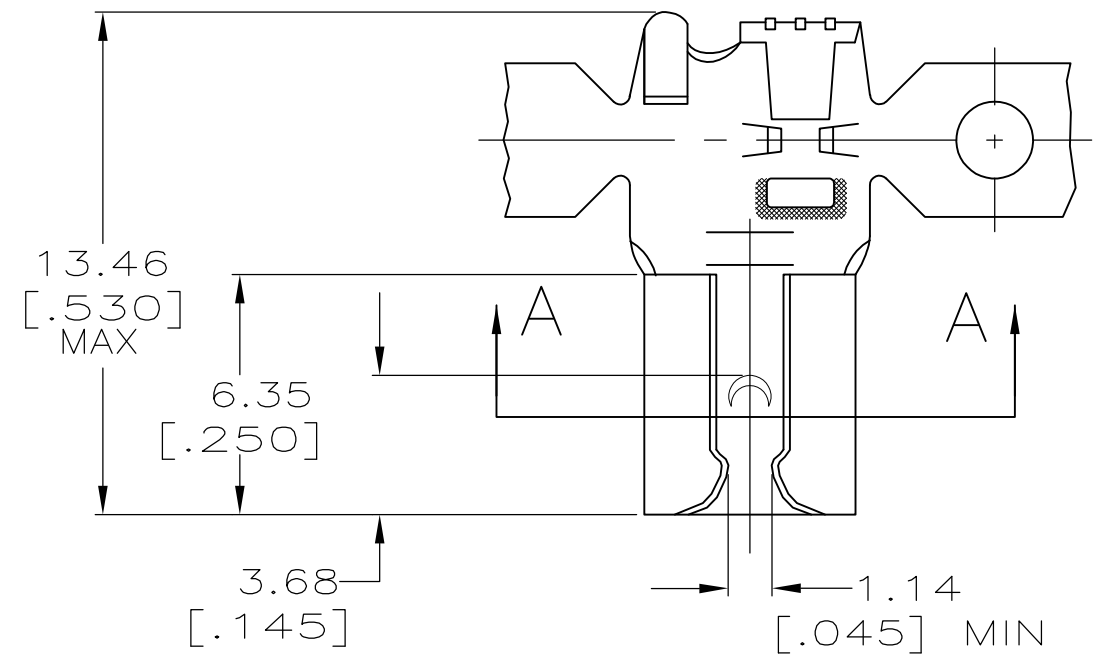


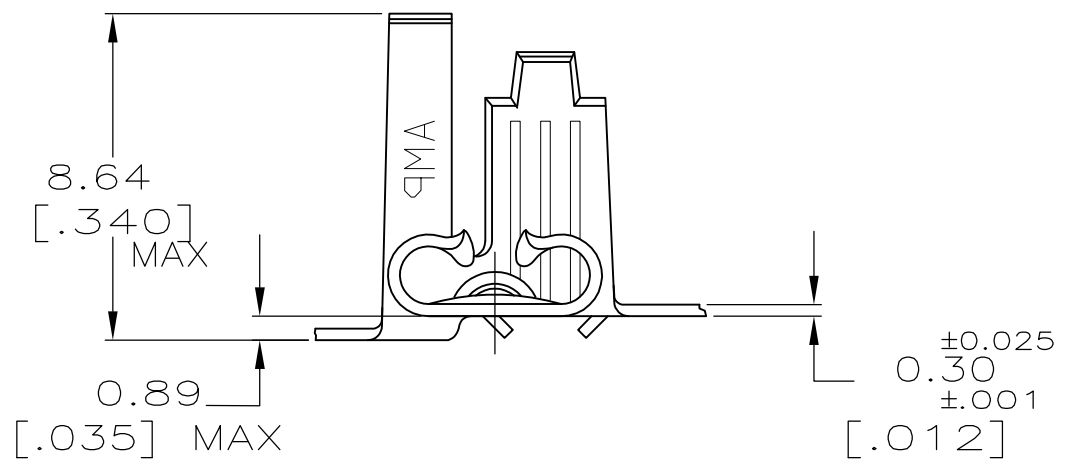
THIS DRAWING IS UNPUBLISHED. RELEASED FOR PUBLICATION  
 © COPYRIGHT - By - ALL RIGHTS RESERVED.

LOC	DIST	REVISIONS			
P	LTR	DESCRIPTION	DATE	DWN	APVD
AF	50	F	REVISED PER ECR-12-013459	28NOV2012	KH PD

- CONTINUOUS STRIP ON REELS.
- MATING TAB THK IS  $0.51 \pm 0.025$   $[\cdot 020 \pm \cdot 001]$ .
- WIRE SIZE IS  $\#[20-16]$  AWG
- INSULATION RANGE IS 2.79-4.32  $[\cdot 110-.170]$  DIA.



SECTION A-A  
 SCALE 10:1



TIN	61029-2
-	61029-1
FINISH	PART NO.

THIS DRAWING IS A CONTROLLED DOCUMENT.		DWN	JR RUTH	1/9/97	TE Connectivity			
DIMENSIONS: mm [INCHES]		CHK	MS FEHER	1/9/97				
TOLERANCES UNLESS OTHERWISE SPECIFIED:		APVD	P DESANTIS	1/9/97	NAME			
0 PLC	$\pm -$	PRODUCT SPEC			RECEPTACLE, FASTON, 4.75 $[\cdot 187]$ SERIES			
1 PLC	$\pm -$	APPLICATION SPEC			SIZE	CAGE CODE	DRAWING NO	RESTRICTED TO
2 PLC	$\pm 0.38$ $[\cdot 015]$	MATERIAL			A300779		C-61029	-
3 PLC	$\pm -$	FINISH			CUSTOMER DRAWING			
4 PLC	$\pm -$	SEE TABLE			SCALE	5:1	SHEET	1 OF 1
ANGLES	$\pm -$						REV	F

单击下面可查看定价，库存，交付和生命周期等信息

[>>TE Connectivity\(泰科\)](#)